

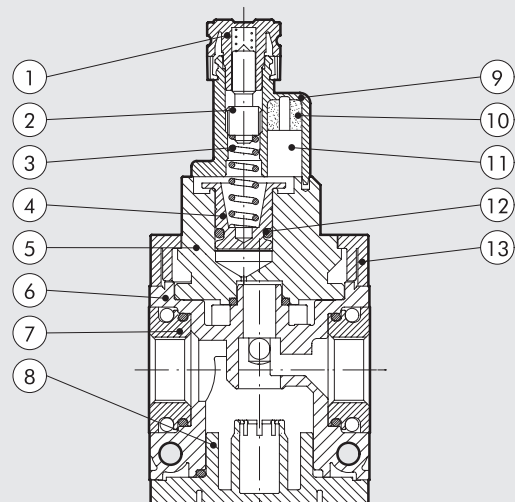
Syntesi® pressure switches feature a high degree of miniaturisation and a modern attractive design. As they are extremely modular, the Syntesi® series can be installed facing up or down. They come ready assembled with a 2-metre cable or an M8 connector with a 300-mm cable. The contact is the switching type, which means it can be normally open or normally closed. It can be regulated via a knurled push-lock handle. On the front and back there is a port (1/8" for size 1 and 1/4" size 2) that can be used with pressure gauges or as an additional air intake.



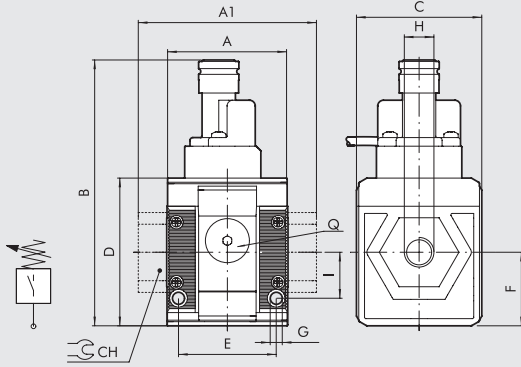
| TECHNICAL DATA | SY1 PRESSURE SWITCHES | | | SY2 PRESSURE SWITCHES | | | |
|---|--|----------|----------|-------------------------|----------|----------|----------|
| | 1/8" | 1/4" | 3/8" | 3/8" | 1/2" | 3/4" | 1" |
| Threaded port | | | | | | | |
| Adjustable pressure interval | bar 0.5 to 10 | | | bar 0.5 to 10 | | | |
| Hysteresis (not adjustable) | bar From 0.4 to 0.8 (See diagram) | | | | | | |
| Maximum pressure | bar 15 | | | bar 13 | | | |
| | MPa 1.5 | | | MPa 1.3 | | | |
| | psi 217 | | | psi 188 | | | |
| Min/Max temperature at 10 bar; 1 MPa; 145 psi | °C From -10 to 50 | | | °C From -10 to 50 | | | |
| Maximum current | A 2 | | | A 2 | | | |
| Maximum voltage | V 250 | | | V 250 | | | |
| Outside diameter of cable | mm 4.9 | | | mm 4.9 | | | |
| Number of wires and cross section | 3 x 0.5 mm ² | | | 3 x 0.5 mm ² | | | |
| Contacts | Normally-Open (NO) and Normally-Closed (NC) | | | | | | |
| Protection | IP65 | | | IP65 | | | |
| Number of switchings | 5 x 10 ⁶ | | | 5 x 10 ⁶ | | | |
| Fluid | Filtered lubricated or unlubricated compressed air. Lubrication, if used, must be continuous | | | | | | |
| Mounting position | In any position | | | | | | |
| Additional air take-off, for pressure gauges or fittings | 1/8", front and rear | | | 1/4", front and rear | | | |
| Additional air take-off flow rate at 6.3 bar (0.63 MPa; 91 psi) ΔP 1 bar (0.1 MPa; 14 psi) | NL/min 500 | | | NL/min 1500 | | | |
| | scfm 18 | | | scfm 53 | | | |
| Wall fixing screws | No. 2 M4 screws | | | No. 2 M5 screws | | | |
| Weight | g 255 | g 250 | g 241 | g 443 | g 416 | g 412 | g 400 |

COMPONENTS

- ① Technopolymer adjusting "push lock" handle
- ② OT58 brass adjusting screw
- ③ Steel piston spring
- ④ OT58 brass piston
- ⑤ Aluminium top plug
- ⑥ Technopolymer body
- ⑦ IN/OUT bushing made of OT58 nickel-plated brass or passivated aluminium for 3/4" - 1"
- ⑧ Technopolymer bottom plug
- ⑨ Technopolymer pressure switch body
- ⑩ Resin finish for IP65
- ⑪ Electrical contact
- ⑫ O-ring NBR gasket
- ⑬ Technopolymer flange

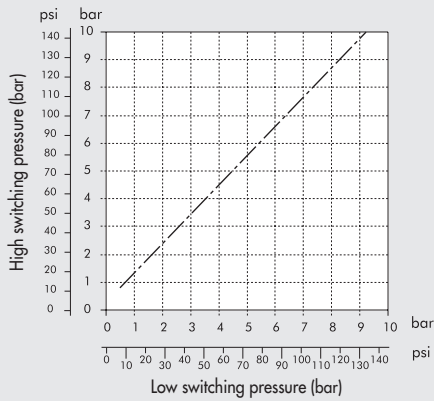


DIMENSIONS



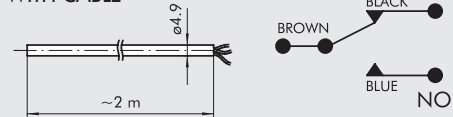
| | SIZE 1 | | | SIZE 2 | | | |
|------------------------------------|--------------------|------|------|--------------------|------|------|----|
| H (threaded port) | 1/8" | 1/4" | 3/8" | 3/8" | 1/2" | 3/4" | 1" |
| A | 42 | | | 60.5 | | | |
| A1 | - | - | 44 | - | - | 95 | 95 |
| B | 93 | | | 101 | | | |
| C | 44 | | | 61 | | | |
| CH | - | | | - | - | 32 | 36 |
| D | 51.5 | | | 70.5 | | | |
| E | 33.5 | | | 47.5 | | | |
| F | 25.6 | | | 32.5 | | | |
| G | Hole for M4 screws | | | Hole for M5 screws | | | |
| I | 16 | | | 22.5 | | | |
| Q (no. 2 additional air takes-off) | 1/8" | | | 1/4" | | | |

HYSTERESIS GRAPH

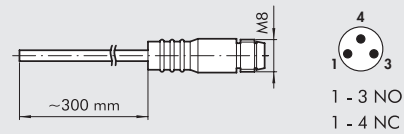


WIRING DIAGRAM

VERSION WITH CABLE



VERSION WITH M8 CONNECTOR



KEY TO CODES

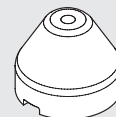
| 56 | 1 | 1 | S | 10 | 1 |
|------------|----------|--|---------------------|---|---|
| SYNTESI | SIZE | THREADED INPUT CONNECTION | ELEMENT | TYPE | THREADED OUTPUT CONNECTION |
| 56 Syntesi | 1 Size 1 | 0 Without bushing 1 1/8" port 2 1/4" port 3 3/8" port | S Pressure switches | 10 2 m cable 20 300 mm cable with M8 connector | 0 Without bushing 1 1/8" port 2 1/4" port 3 3/8" port |
| | 2 Size 2 | 3 3/8" port 4 1/2" port 5 3/4" port 6 1" port | | | 0 Without bushing 3 3/8" port 4 1/2" port 5 3/4" port 6 1" port |

PURCHASE ORDER CODES HAVING A MORE FREQUENT USE

N.B. Besides the below mentioned codes, you can order elements composed at your will according to the key to codes.

| Code | Description | Code | Description |
|---------------------------------------|---|---------------------------------------|---|
| Syntesi® SY1 PRESSURE SWITCHES | | | |
| 5610S100 | Pressure switch 2 m cable SY1 without bushings | Syntesi® SY2 PRESSURE SWITCHES | |
| 5611S101 | Pressure switch 2 m cable SY1 1/8 | 5620S100 | Pressure switch 2 m cable SY2 without bushings |
| 5612S102 | Pressure switch 2 m cable SY1 1/4 | 5623S103 | Pressure switch 2 m cable SY2 3/8 |
| 5613S103 | Pressure switch 2 m cable SY1 3/8 | 5624S104 | Pressure switch 2 m cable SY2 1/2 |
| | | 5625S105 | Pressure switch 2 m cable SY2 3/4 |
| | | 5626S106 | Pressure switch 2 m cable SY2 1 |
| 5610S200 | Pressure switch M8 SY1 connector without bushings | 5620S200 | Pressure switch M8 SY2 connector without bushings |
| 5611S201 | Pressure switch M8 connector SY1 1/8 | 5623S203 | Pressure switch M8 connector SY2 3/8 |
| 5612S202 | Pressure switch M8 connector SY1 1/4 | 5624S204 | Pressure switch M8 connector SY2 1/2 |
| 5613S203 | Pressure switch M8 connector SY1 3/8 | 5625S205 | Pressure switch M8 connector SY2 3/4 |
| | | 5626S206 | Pressure switch M8 connector SY2 1 |

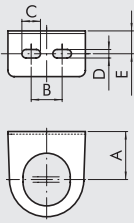
ACCESSOIRES: SECURITY KNOB



| Code | Description |
|---------|-------------------------------------|
| 9200703 | Security knob APR / pressure switch |

NOTE: Pull outwards to remove the knob from the pressure switch on the unit. Insert the security knob and regulate the pressure switch. Then press the handle firmly to lock it in position. If the pressure switch needs to be reset, remove the security knob by forcing it laterally with a screwdriver.

MOUNTING BRACKET FOR REG. AND FR KNOB



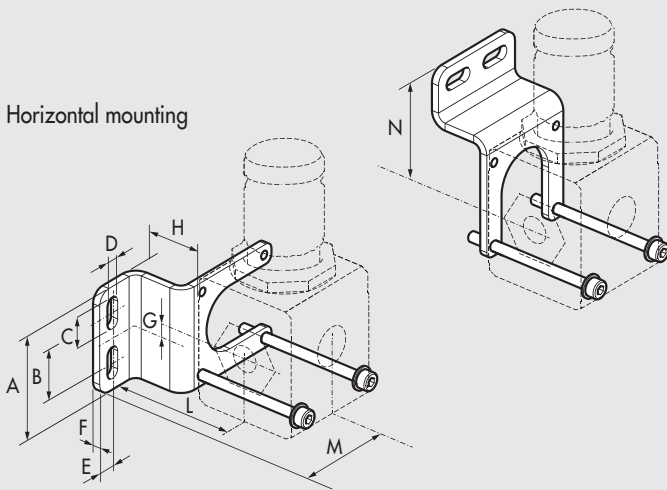
| Code | Description |
|---------|--------------------------|
| 9200701 | SF100 - BIT-ND 1/4 - SY1 |
| 9400701 | SF200 - ND-3/8 1/2 - SY2 |

| Code | A | B | C | D | E |
|---------|----|----|----|-----|------|
| 9200701 | 32 | 20 | 12 | 5.5 | 14.2 |
| 9400701 | 42 | 40 | 12 | 5.5 | 15 |

MOUNTING BRACKET

Vertical mounting

Horizontal mounting

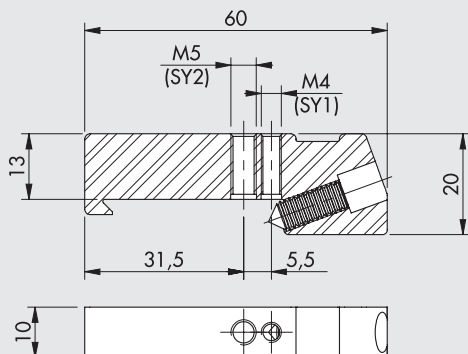


| Code | Description |
|----------|----------------------|
| 9200716X | Mounting bracket SY1 |
| 9200717X | Mounting bracket SY2 |

Note: Supplie complete with screws and washers.
Max torque 0.8 Nm for SY1 - Max torque 2.0 Nm for SY2
Codes to be used for units in the standard and the anti-corrosion version

| Code | A | B | C | D | E | F | G | H | L | M | N |
|----------|------|----|------|-----|---|---|-----|----|------|------|------|
| 9200716X | 41.5 | 20 | 12.7 | 5.5 | 7 | 3 | 0.8 | 25 | 43.8 | 46.5 | 47 |
| 9200717X | 60 | 40 | 12.7 | 5.5 | 8 | 3 | 1.3 | 30 | 57.5 | 58.3 | 59.5 |

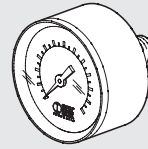
CONNECTION BRACKETS ON THE BAR (DIN EN50022)



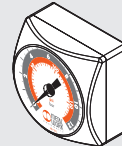
| Code | Description |
|----------|---|
| 9200718X | Connection brackets on DIN bar, SY1 - SY2 |

Note: 2 pieces per pack complete with screws and washers.
Max torque 0.8 Nm for SY1 - Max torque 2.0 Nm for SY2
Codes to be used for units in the standard and the anti-corrosion version

PRESSURE GAUGES

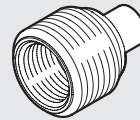


| Code | Description |
|---------|--------------|
| 9700101 | M 40 1/8 012 |
| 9700102 | M 40 1/8 04 |
| 9800101 | M 50 1/8 012 |
| 9800102 | M 50 1/8 04 |
| 9900101 | M 63 1/4 012 |



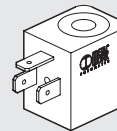
| | |
|---------|-----------------|
| 9700109 | M 40x40 1/8 04 |
| 9700110 | M 40x40 1/8 012 |

ADAPTERS FOR PRESSURE GAUGES (SY2)



| Code | Description |
|---------|------------------------------------|
| 9210005 | 1/4 adapter for 1/8 pressure gauge |

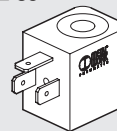
COIL 22 mm FOR APR AND V3V ELPN



| Code | Description |
|-------------|-----------------------------|
| W0215000151 | Coil 22 Ø 8 BA 2W-12VDC |
| W0215000101 | Coil 22 Ø 8 BA 2W-24VDC |
| W0215000111 | Coil 22 Ø 8 BA 3.5VA-24VAC |
| W0215000121 | Coil 22 Ø 8 BA 3.5VA-110VAC |
| W0215000131 | Coil 22 Ø 8 BA 3.5VA-220VAC |

Electrical connection DIN 43650 B-IND

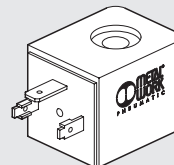
"UL" AND "CSA" COILS 22 mm



| Code | Description |
|-------------|--------------------------------|
| W0215000251 | Coil 22 Ø 8 BA 2W-12VDC UR |
| W0215000201 | Coil 22 Ø 8 BA 2W-24VDC UR |
| W0215000211 | Coil 22 Ø 8 BA 3.5VA-24VAC UR |
| W0215000221 | Coil 22 Ø 8 BA 3.5VA-110VAC UR |
| W0215000231 | Coil 22 Ø 8 BA 3.5VA-220VAC UR |

Electrical connection DIN 43650 B-IND

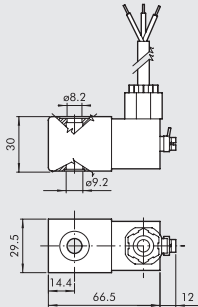
COIL 30 mm FOR APR AND V3V ELPN



| Code | Description |
|-------------|-----------------------------------|
| W0210010100 | Coil 30 Ø 8 2W-24VDC |
| W0210011100 | Coil 30 Ø 8 3.5VA-24VAC 50/60 HZ |
| W0210012100 | Coil 30 Ø 8 3.5VA-110VAC 50/60 HZ |
| W0210013100 | Coil 30 Ø 8 3.5VA-220VAC 50/60 HZ |

Electrical connection DIN 43650 - A

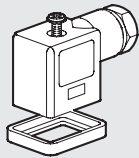
KIT FOR COIL EEXM



| Code | Description |
|------------|---|
| 0227606913 | Kit for coil 30 24 VDC EEXMT5 cable 3m |
| 0227606915 | Kit for coil 30 24 VDC EEXMT5 cable 5m |
| 0227608013 | Kit for coil 30 24 VAC EEXMT5 cable 3m |
| 0227608015 | Kit for coil 30 24 VAC EEXMT5 cable 5m |
| 0227608023 | Kit for coil 30 110 VAC EEXMT5 cable 3m |
| 0227608025 | Kit for coil 30 110 VAC EEXMT5 cable 5m |
| 0227608033 | Kit for coil 30 230 VAC EEXMT5 cable 3m |
| 0227608035 | Kit for coil 30 230 VAC EEXMT5 cable 5m |

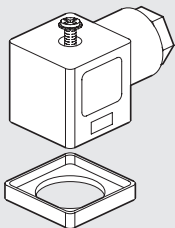
According to Atex 2014/34/EU rule,
 Ⓢ II 2G Ex mb IIC T4/T5 Gb
 Ⓢ II 2D Ex tb IIIC T130/T95 °C IP66 Db
N.B.: Supplied complete with adapter for Ø8 mm sleeve

ELECTRIC CONNECTOR 22 mm FOR COILS DIN 43650 B-IND



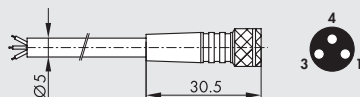
| Code | Description |
|-------------|---------------------------|
| W0970510011 | Connector standard |
| W0970510012 | Connector 22 LED 24V |
| W0970510013 | Connector 22 LED 110V |
| W0970510014 | Connector 22 LED 220V |
| W0970510015 | Connector 22 LED VDR 24V |
| W0970510016 | Connector 22 LED VDR 110V |
| W0970510017 | Connector 22 LED VDR 220V |
| W0970510070 | Connector 22 II 2 GD ATEX |

ELECTRIC CONNECTOR 30 mm FOR COILS DIN 43650-A



| Code | Description |
|-------------|---------------------------|
| W0970520033 | Connector 30 STD |
| W0970520034 | Connector 30 LED 24V |
| W0970520035 | Connector 30 LED 110V |
| W0970520036 | Connector 30 LED 220V |
| W0970520037 | Connector 30 LED VDR 24V |
| W0970520038 | Connector 30 LED VDR 110V |
| W0970520039 | Connector 30 LED VDR 220V |

M8 STRAIGHT CONNECTOR WITH CABLE FOR PRESSURE SWITCHES

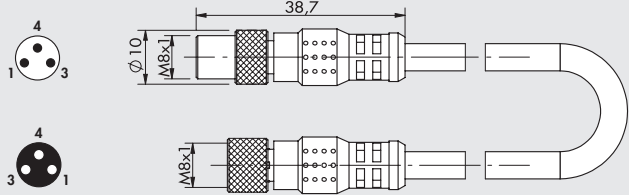


| Pin | Cable color |
|-----|-------------|
| 1 | Brown |
| 3 | Blue |
| 4 | Black |

| Code | Description |
|------------|--|
| 02400A0100 | M8 female 3 PIN HIGH FLEX CL6 connector with cable L = 1 m |
| 02400A0250 | M8 female 3 PIN HIGH FLEX CL6 connector with cable L = 2.5 m |
| 02400A0500 | M8 female 3 PIN HIGH FLEX CL6 connector with cable L = 5 m |
| 02400A1000 | M8 female 3 PIN HIGH FLEX CL6 connector with cable L = 10 m |

Very flexible cables, class 6 according to IEC 60228

M8 ADAPTER CABLE FOR CONNECTING THE PRESSURE SWITCH TO THE EB 80 E CM DIGITAL INPUTS MODULE



| Code | Description |
|------------|--|
| 0240010501 | M8-M, M8-F 3-pole adapter with cable L = 0.3 m |

Note: Can be used to connect the pressure switch to the module of digital INPUT S01 of the EB 80 valves, to the additional M8 INPUT module of the CM valves and to the Profibus-DP IP67 M8 input. Contact type NO (Normally open).

| M8F | M8M | Function |
|-------|------------|----------------|
| pin 1 | pin 1 | Power supply + |
| pin 3 | pin 2 | Signal NO |
| pin 4 | disconnect | |

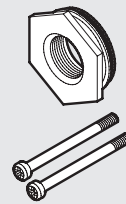
KIT COIL SIDE 22 IP65



| Code | Description |
|------------|-------------------------|
| 0222100100 | Kit for coils 22 - IP65 |

Improved IP65 protection, even after prolonged exposure to atmospheric agents.

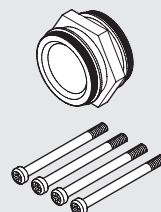
THREADED PORT



| Code | Description |
|----------|-----------------------------------|
| 9210001 | Kit IN OUT 1/8 SY1 |
| 9210002 | Kit IN OUT 1/4 SY1 |
| 9210003 | Kit IN OUT 3/8 SY1 |
| 9210011 | Kit IN OUT 3/8 SY2 |
| 9210012 | Kit IN OUT 1/2 SY2 |
| 9210013 | Kit IN OUT 3/4 SY2 |
| 9210014 | Kit IN OUT 1 SY2 |
| 9210001X | Kit IN OUT 1/8 SY1 anti-corrosion |
| 9210002X | Kit IN OUT 1/4 SY1 anti-corrosion |
| 9210003X | Kit IN OUT 3/8 SY1 anti-corrosion |
| 9210011X | Kit IN OUT 3/8 SY2 anti-corrosion |
| 9210012X | Kit IN OUT 1/2 SY2 anti-corrosion |
| 9210013X | Kit IN OUT 3/4 SY2 anti-corrosion |
| 9210014X | Kit IN OUT 1 SY2 anti-corrosion |

Max torque 0.4 Nm for SY1
 Max torque 2.5 Nm for SY2

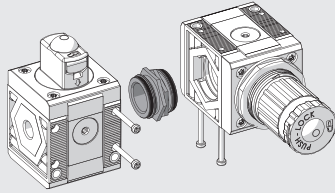
CONNECTING NIPPLE KIT



| Code | Description |
|----------|--|
| 9210000 | Connecting nipple kit SY1 |
| 9210010 | Connecting nipple kit SY2 |
| 9210000X | Connecting nipple kit SY1 anti-corrosion |
| 9210010X | Connecting nipple kit SY2 anti-corrosion |

Max torque 0.4 Nm for SY1
 Max torque 2.5 Nm for SY2

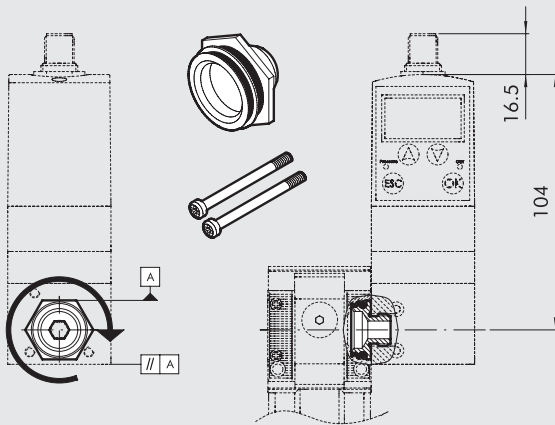
90° CONNECTING ELEMENT KIT



| Code | Description |
|----------|---|
| 9210009 | 90° SY1 connection element kit |
| 9210019 | 90° SY2 connection element kit |
| 9210009X | 90° anti-corrosion SY1 connection element kit |
| 9210019X | 90° anti-corrosion SY2 connection element kit |

Max torque 0.4 Nm for SY1 Max torque 2.5 Nm for SY2

KIT CONNECTING REGTRONIC 1/4 (PAGE C6.12) AND GS REGULATOR (PAGE C6.2)



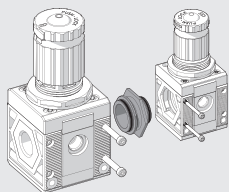
| Code | Description |
|---------|-------------------------------|
| 9210004 | Adapter for regtronic 1/4 SY1 |

Max torque for screw, 0.4 Nm

Instructions:

- 1) Screw the connecting bushing onto the REGTRONIC 1/4 as far as it will go. Use sealant on the G1/4 thread to provide a further seal.
- 2) Unscrew the bushing slightly until two surfaces of the hexagon are parallel to the body of REGTRONIC 1/4 (see diagram).
- 3) Insert the bushing into the Syntesi® unit.
- 4) Tighten the two self-tapping screws in the Syntesi® unit to a torque of 0.4 Nm max.

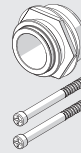
SY1 - SY2 SIZE ADAPTER



| Code | Description |
|----------|---------------------------------------|
| 9210006 | SY1 - SY2 size adapter |
| 9210006X | SY1 - SY2 size adapter anti-corrosion |

Max torque for screw, 0.4 Nm for SY1
Max torque for screw, 2.5 Nm for SY2

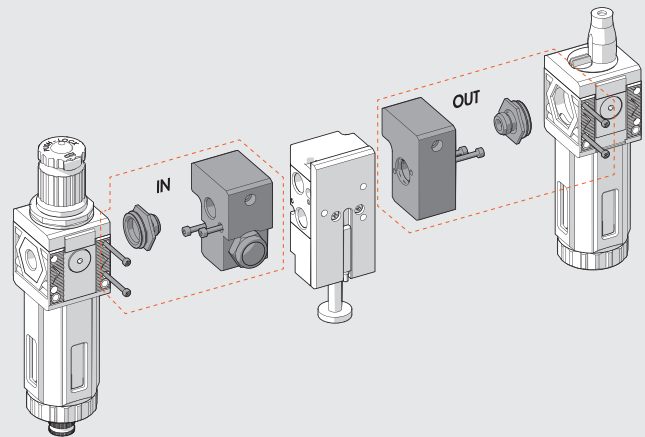
SY1 - SY2 KIT FOR CONNECTION TO FLUX 1 - 2



| Code | Description |
|------------|----------------------|
| 900099A002 | Adapter FLUX 1 - SY1 |
| 900099A003 | Adapter FLUX 2 - SY2 |

Max torque for screw, 0.4 Nm for SY1
Max torque for screw, 2.5 Nm for SY2
See page C6.34 for the assembly diagram.

SY1 - SY2 KIT FOR CONNECTION TO SERIE 70 SAFE AIR® VALVES

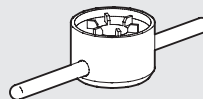


| Code | Description |
|---------|-----------------------------|
| 9210015 | IN 1/4 SY1 block accessory |
| 9210016 | OUT 1/4 SY1 block accessory |
| 9210022 | IN 3/8 SY1 block accessory |
| 9210023 | OUT 3/8 SY1 block accessory |
| 9210017 | IN 3/8 SY2 block accessory |
| 9210018 | OUT 3/8 SY2 block accessory |
| 9210020 | IN 1/2 SY2 block accessory |
| 9210021 | OUT 1/2 SY2 block accessory |

Max torque for screw, 0.4 Nm for SY1
Max torque for screw, 2.5 Nm for SY2

See page B1.153 for the assembly diagram.

BOWL DISASSEMBLY SPANNER



| Code | Description |
|---------|--------------------|
| 9170601 | CS TF - TL BIT/SY1 |
| 9210050 | CS TF - TL SY2 |

WALL-FIXING SCREW



| Code | Description |
|---------|--------------------------|
| 9210030 | M4 x 55 fixing screw SY1 |
| 9210031 | M5 x 75 fixing screw SY2 |

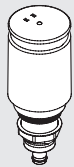
Max torque 0.8 Nm for SY1
Max torque 2.0 Nm for SY2

PADLOCK



| Code | Description |
|---------|-------------|
| 9062401 | Padlock |

AUTOMATIC DRAIN (RA)



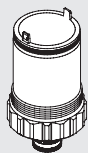
| Code | Description |
|---------|-------------------------------|
| 9000802 | RA automatic drain spare part |

AUTOMATIC DRAIN (SAC)



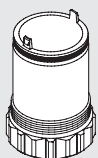
| Code | Description |
|---------|----------------------------|
| 9000803 | Spares SAC automatic drain |

BOWL RMSA/RA/SAC



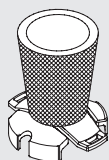
| Code | Description |
|---------|--------------------------|
| 9210100 | Bowl FIL FR DEP RMSA SY1 |
| 9210101 | Bowl FIL FR RA SY1 |
| 9210102 | Bowl FIL FR DEP SAC SY1 |
| 9210105 | Bowl FIL FR DEP RMSA SY2 |
| 9210106 | Bowl FIL FR RA SY2 |
| 9210107 | Bowl FIL FR DEP SAC SY2 |

LUBRICATOR BOWL



| Code | Description |
|---------|--------------|
| 9210110 | Bowl LUB SY1 |
| 9210115 | Bowl LUB SY2 |

FILTERING ELEMENT



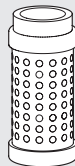
| Code | Description |
|---------|------------------------------------|
| 9210150 | Filtering element 5µm (yellow) SY1 |
| 9210151 | Filtering element 20µm (white) SY1 |
| 9210152 | Filtering element 50µm (blue) SY1 |
| 9210155 | Filtering element 5µm (yellow) SY2 |
| 9210156 | Filtering element 20µm (white) SY2 |
| 9210157 | Filtering element 50µm (blue) SY2 |

PURIFIER FILTERING ELEMENT



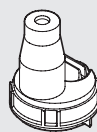
| Code | Description |
|---------|--------------------------|
| 9210160 | Cartridge 0.01µm DEP SY1 |
| 9210165 | Cartridge 0.01µm DEP SY2 |
| 9210162 | Cartridge 1µm DEP SY1 |
| 9210167 | Cartridge 1µm DEP SY2 |

AC FILTERING ELEMENT (ACTIVE CARBON)



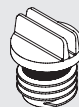
| Code | Description |
|---------|------------------|
| 9210161 | Cartridge AC SY1 |
| 9210166 | Cartridge AC SY2 |

TRANSPARENT LUBRICATOR COVER



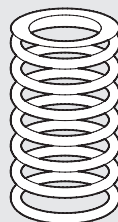
| Code | Description |
|---------|---------------------------|
| 9210180 | Transparent cover LUB SY1 |
| 9210185 | Transparent cover LUB SY2 |

LUBRICATOR OIL-FILLING CAP



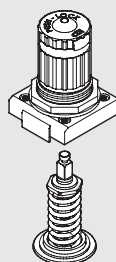
| Code | Description |
|---------|-------------------------|
| 9210181 | Oil-filling cap LUB SY1 |
| 9210186 | Oil-filling cap LUB SY2 |

SPRINGS FOR REGULATORS AND FR



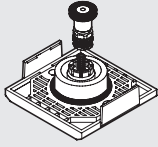
| Code | Description |
|----------|-------------------------------------|
| 9210190 | Spares MO 02 SY1 |
| 9210191 | Spares MO 04 SY1/SY1 anti-corrosion |
| 9210192 | Spares MO 08 SY1 |
| 9210193 | Spares MO 012 SY1 |
| 9210195 | Spares MO 02 SY2 |
| 9210196 | Spares MO 04 SY2 |
| 9210197 | Spares MO 08 SY2 |
| 9210198 | Spares MO 012 SY2 |
| 9210192X | Spares 08 SY1 anti-corrosion |
| 9210193X | Spares 012 SY1 anti-corrosion |
| 9210197X | Spares 08 SY2 anti-corrosion |
| 9210198X | Spares 012 SY2 anti-corrosion |

BELL FOR REG AND FR



| Code | Description |
|----------|-----------------------------|
| 9210200 | Bell 02 SY1 |
| 9210201 | Bell 04 SY1 |
| 9210202 | Bell 08 SY1 |
| 9210203 | Bell 012 SY1 |
| 9210220 | Bell 02 SY2 |
| 9210221 | Bell 04 SY2 |
| 9210222 | Bell 08 SY2 |
| 9210223 | Bell 012 SY2 |
| 9210202X | Bell 08 SY1 anti-corrosion |
| 9210203X | Bell 012 SY1 anti-corrosion |
| 9210222X | Bell 08 SY2 anti-corrosion |
| 9210223X | Bell 012 SY2 anti-corrosion |

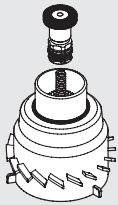
POPPET FOR REG



| Code | Description |
|----------|-------------------------------|
| 9210210 | Poppet REG SY1 |
| 9210230 | Poppet REG SY2 |
| 9210210X | Poppet REG SY1 anti-corrosion |
| 9210230X | Poppet REG SY2 anti-corrosion |

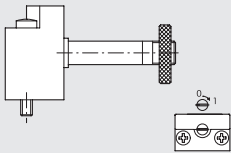
NOTES

POPPET FOR FR



| Code | Description |
|---------|--------------------|
| 9210211 | Poppet FR 5µm SY1 |
| 9210212 | Poppet FR 20µm SY1 |
| 9210213 | Poppet FR 50µm SY1 |
| 9210231 | Poppet FR 5µm SY2 |
| 9210232 | Poppet FR 20µm SY2 |
| 9210233 | Poppet FR 50µm SY2 |

CNOMO CONTROL FOR V3V AND APR SY2



| Code | Description |
|---------|---|
| 9453922 | Elpn Cnomo control kit, manual bistable |

NOTES