

**DESCRIPTION**

Solenoid valve 2 way normally closed in stainless steel AISI 316 with servo-assisted diaphragm

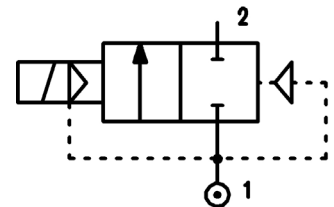
**CONSTRUCTION**

Body and cover	AISI 316
Armature tube	AISI 303
Plunger and core	AISI 430FR
Springs	AISI 302
Seal material	NBR - FPM - EPDM



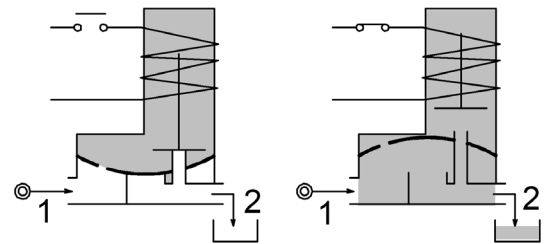
**FEATURES**

- Minimum differential pressure 0.15bar
- Maximum allowable pressure PS 25bar<sup>③</sup>
- Maximum fluid viscosity 25cSt (mm<sup>2</sup>/s)
- Ambient temperature: from -10°C to +80°C according to the coil
- Preferred mounting position with vertical coil above



**4**

- OPTIONS:**
- Manual override
  - Series 7 explosion proof coil according to ATEX - EExmII
  - Food approval seal material
  - Version with slow closing diaphragm
  - Version for use with oxygen
  - Silver shading ring
  - c us certified coils



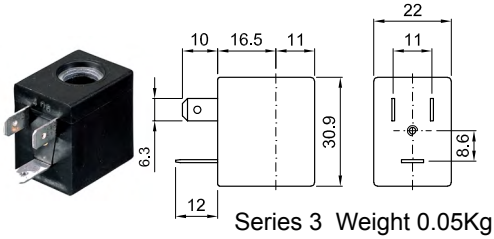
CODE ① ②	Connection G ISO 228	Orifice mm	Kv m <sup>3</sup> /h	Differential pressure bar			Nominal power			Coil		Seal ①	Temp. range °C
				Min	Max		AC Inrush	VA Holding	DC Watt	Series	Width		
E177C...12///...	3/8"	12	2.2	0.15	15	15	12	8	6.5	3	22	NBR=B	-10 +90
E177D...12///...	1/2"	12	2.5	0.15	15	15						EPDM=E	-10 +140
E177E...18///...	3/4"	18	5.5	0.15	13	13						FPM=V	-10 +140
E177F...25///...	1"	25	10.2	0.15	10	10							

- ① Seal
  - ② Coil
  - ③ The maximum allowable pressure PS for steam 2,5bar (gauge pressure)
- Example: E177DB12///301 NBR seal  
Coil 24V DC

COILS ②	Alternating Current 50/60Hz (V)							Direct Current (V)			Electrical connection	Connectors
	12	24	48	110	220 230	240	380	12	24	48		
Series 3 Width 22	30A	30B	30C	30D	30E	30F	30G	300	301	302	DIN 46244	PG9 code 10348000

**DESCRIPTION**  
 Class F insulation  
 Voltage tolerance  
 AC +15% -10%  
 DC ± 10%  
 Protection class  
 IP65 with connector fitted  
 IP00 without connector  
 Continuous service ED100%

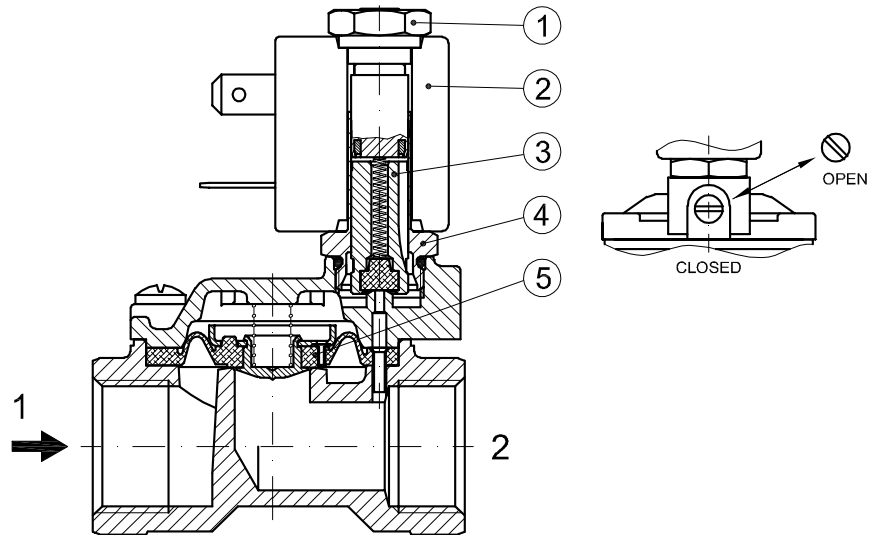
**OPTIONS**  
 Class H insulation  
 Cable attached  
 Special coil voltage  
 Special coil powers  
 CE us certified coils



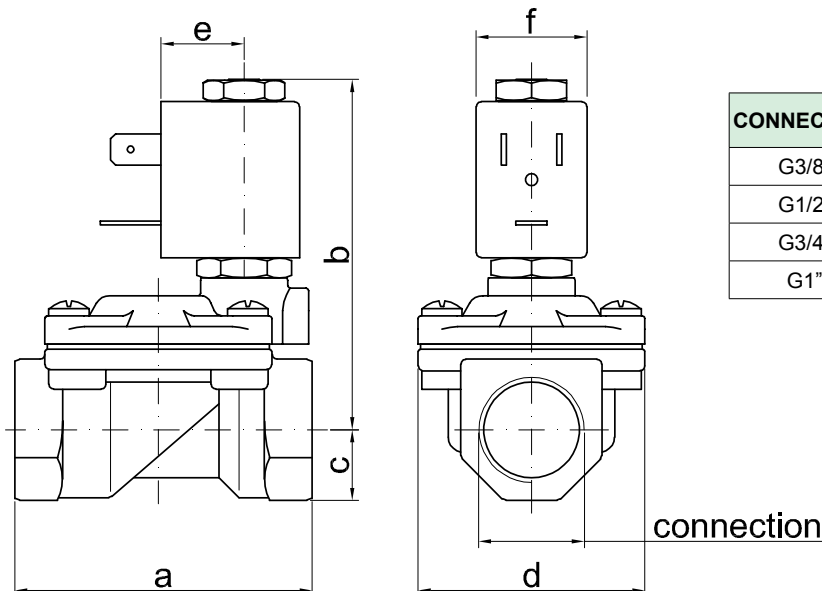
(for coil details see section 8)

### SPARE PARTS LIST

1. Coil fixing nut
2. Coil
3. Plunger
4. Armature tube with core
5. Diaphragm assembly



### OVERALL DIMENSION



CONNECTION	a	b	c	d	e	f	weight Kg
G3/8"	59	70	11	45	16	22	0.30
G1/2"	59	70	13	45	16	22	0.32
G3/4"	79	76	18	55	16	22	0.55
G1"	96	85	20	72	16	22	0.95