

DESCRIPTION

Solenoid valve 2 way normally closed with servo-assisted diaphragm.

With explosion proof coil certified for hazardous area:

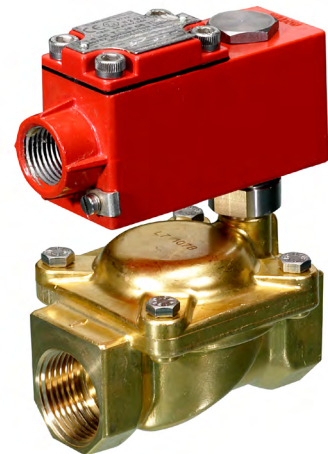
ATEX II 2GDEx d IIC T6 or T5 or T4 Gb

Ex tb IIC T80°C or T95°C or T130°C Db IP66

Tamb -40°C ÷ +35°C(T6) or +50°C(T5) or +60°C(T4)

CESI 03 ATEX 344 Extension No. 01/12

(other certifications e.g.EAC, INMETRO, CCOE etc. on request)

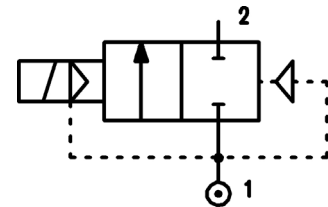


VALVE CONSTRUCTION

Body Brass
Seal material FPM, NBR

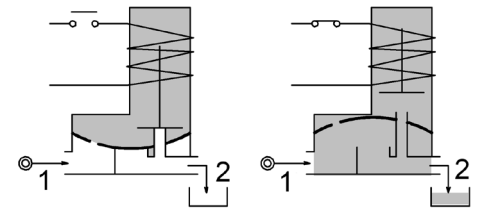
EXPLOSION PROOF COIL CONSTRUCTION

Housing Red colour alloy (painted with epoxy powder)
Electrical connection 1/2" NPT (M20x1.5 on request)



FEATURES

Minimum differential pressure 0.15bar
Maximum allowable pressure PS 25bar^③
Maximum fluid viscosity 25cSt (mm²/s)
Ambient temperature: -40°C ÷ +35°C(T6), +50°C(T5), +60°C(T4)
Mounting position with vertical coil above



OPTIONS: Electroless nickel-plating
Versions with slow closing diaphragm

CODE ②	Connection G ISO 228	Orifice mm	Kv m ³ /h	Differential pressure bar			Nominal power		Coil Series	Seal	Temp. range °C
				Min	Max AC DC		AC Holding	DC			
A107BV10/1/...	1/4"	10	1.5	0.15	15	15	12 VA	8W	A6	NBR=B EPDM=E FPM=V	-10 +80
A107CV10/1/...	3/8"	10	1.7	0.15	15	15					
A107CV12/1/...	3/8"	12	2.2	0.15	15	15					
A107DV12/1/...	1/2"	12	2.5	0.15	15	15					
A107EV18/1/...	3/4"	18	5.5	0.15	13	13					
A107FV25/1/...	1"	25	10.2	0.15	10	10					
A107GV30/1/...	1"1/4	30	15	0.15	10	10					
A107GV37/1/...	1"1/4	37	18	0.15	10	10					
A107HV37/1/...	1"1/2	37	21	0.15	10	10					
A107IV50/1/...	2"	50	36	0.15	10	10					
A107MB75/1/...	2"1/2	75	75	0.3	5	5					
A107RB75/1/...	3"	75	84	0.3	5	5					

② Coil

③ **G2"1/2 e G3" SOLENOID VALVES**

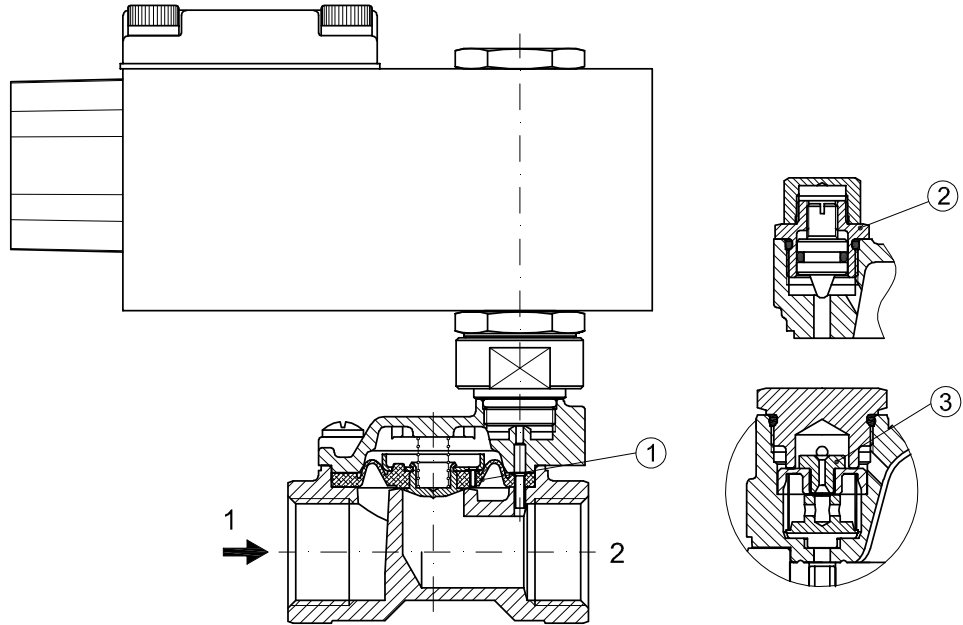
For applications with fluids listed in chapter 3 / group 1 of the PED Directive 2014/68 / EU (potentially hazardous or explosive fluids / mixtures) consider a PS value reduced to 15 bar max.

COILS ②	Alternating Current 50/60Hz (V)				Direct Current (V)			Electrical connection
	24	48	110	220 230	12	24	48	
Series A6	A6B	A6C	A6D	A6E	A60	A61	A62	1/2" NPT

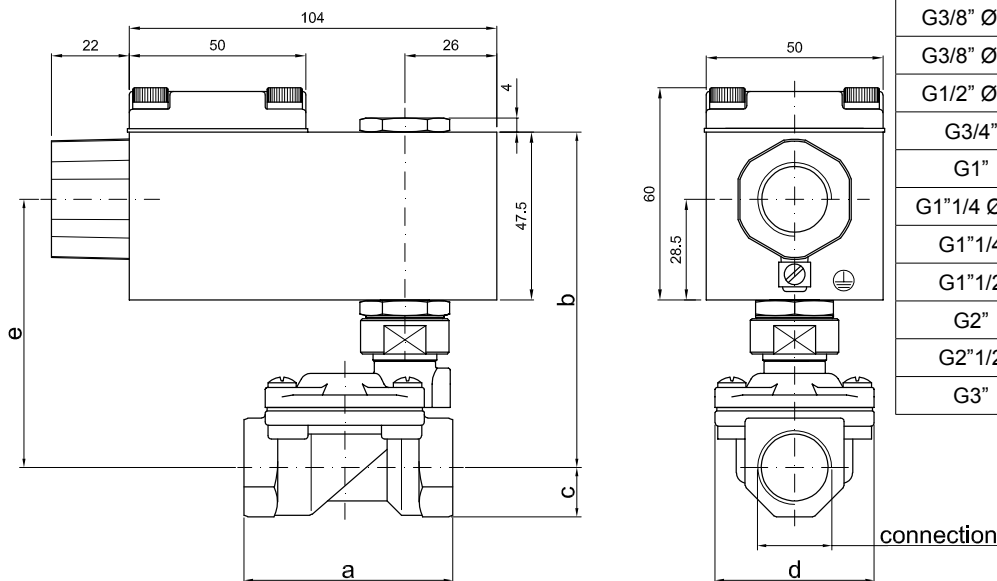
DESCRIPTION
 Voltage tolerance
 AC +15% -10%
 DC ± 10%
 Protection class IP66
 Continuous service ED100%

SPARE PARTS LIST

1. Diaphragm assembly
2. Speed control valve
3. Water hammering reducer
 Ø0.8-Ø1.2-Ø1.5 (G2"1/2-3")



OVERALL DIMENSION



CONNECTION	a	b	c	d	e	weight Kg
G1/4" Ø10	49	90	11	32	71	0.72
G3/8" Ø10	49	90	11	32	71	0.72
G3/8" Ø12	59	95	14	45	76	0.92
G1/2" Ø12	59	95	14	45	76	0.92
G3/4"	79	101	18	54	82	1.10
G1"	96	110	20	72	91	1.50
G1"1/4 Ø30	119	118	25	85	99	2.27
G1"1/4	142	110	28	102	91	3.33
G1"1/2	142	110	28	102	91	3.12
G2"	158	119	35	119	100	4.72
G2"1/2	226	138	51	169	119	10.4
G3"	226	138	51	169	119	10