

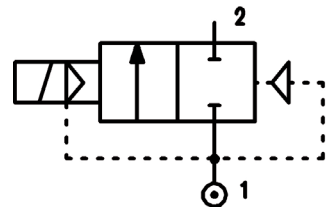
DESCRIPTION

Solenoid valve 2 way normally closed with servo-assisted piston suitable for air and water.
Its requested a minimum differential pressure of 3 bar.



COSTRUCTION

Body and cover	Brass
Armature tube	AISI 303
Plunger and core	AISI 430FR
Piston	PBT
Springs	AISI 302
Seal material	main seal PTFE other FPM

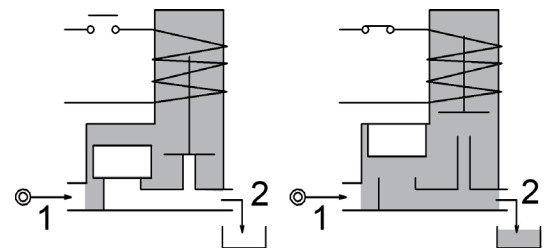


4

FEATURES

- Minimum differential pressure 3bar
- Maximum allowable pressure PS 150bar
- Maximum fluid viscosity 12cSt (mm²/s)
- Ambient temperature: from -10°C to +80°C according to the coil
- Preferred mounting position with vertical coil above

OPTIONS: Electroless nickel plating
c us certified coils



CODE ②	Connection G ISO 228	Orifice mm	Kv l/min	Differential pressure bar			Nominal power			Coil		Seal	Temperature range °C
				Min	Max		AC Inrush	VA Holding	DC Watt	Series	Width		
					AC	DC							
E124DW12///...	1/2"	12	60	3	100	100	20	15	10	2	30	PTFE=W	-10 +95

② Coil Example: E124DW12///20E PTFE seal
Coil 220-230V 50-60Hz

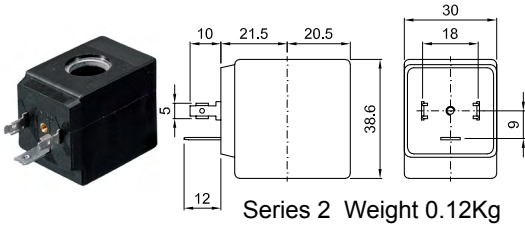
Maximum allowable leakage <0.2NI/h

COILS ②	Alternating Current 50/60Hz (V)							Direct Current (V)			Electrical connection	Connectors
	12	24	48	110	220 230	240	380	12	24	48		
Series 2 Width 30	20A	20B	20C	20D	20E	20F	20G	200	201	202	DIN 43650A	PG9 code 10349000

DESCRIPTION
 Class F insulation
 Voltage tolerance
 AC +15% -10%
 DC ± 10%
 Protection class
 IP65 with connector fitted
 IP00 without connector

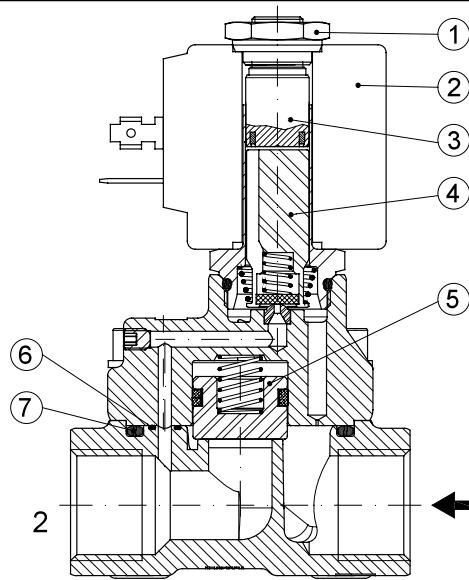
OPTIONS
 Class H insulation
 Cable attached
 Special coil voltage
 Special coil powers
 c US certified coils

(for coil details see section 8)



SPARE PARTS LIST

1. Coil fixing nut
2. Coil
3. Armature tube assembly
4. Plunger assembly
5. Piston assembly
6. OR
7. OR



OVERALL DIMENSION

