

Accessories and Spare Parts

Accessories and spare parts ISMST, ISRPL, ISDR, DI-PROF, ISZR-V, VCMV, SIEB, TV



Accessories and Spare Parts

Design

- Sealing frame and friction plates for high lateral forces and good sealing properties
- Spacer rings for various working heights
- Suction cups with foam rubber seals
- Replacement magnets for Steel-Plate vacuum openings

Suitability for industry specific applications

Applications

- Suitable accessories and spare parts for Schmalz Innospann systems
- Modular extension and adaptation of the system to workpiece geometry and working height
- Cost-effectiveness increased by working with the Innospann system
- In many cases, wear or damage to the suction cups or other parts does not require replacement of the entire suction cup
- It is often sufficient to replace single components to make the vacuum system operational again

Product highlights




- Low costs for spare parts, since almost every part of the suction cup system can be replaced
- Maximum flexibility and reduction of set-up times thanks to suction cups in various geometries
- Adjustment to the working height by means of spacer rings enables use on almost any CNC machining center

Accessories and Spare Parts


Accessories and spare parts ISMST, ISRPL, ISDR, DI-PROF, ISZR-V, VCMV, SIEB, TV

Ordering data Accessories and Spare Parts

Type		Part no.
Spacer ring, Innospann	ISZR-V 80x15	10.01.15.00052
Spacer ring, Innospann	ISZR-V 80x20	10.01.15.00053
Spacer ring, Innospann	ISZR-V 80x40	10.01.15.00073
Spacer ring, Innospann	ISZR-V 80x45	10.01.15.00054
Spacer ring, Innospann	ISZR-V 80x48	10.01.15.00055

Type		Part no.
Sealing frame	ISDR 81x81x12 Cup 1 NK-50	10.01.15.00020 
Sealing frame	ISDR 81x43x12 Cup 2 NK-50	10.01.15.00021 
Sealing frame	ISDR 81x31x12 Cup 3 NK-50	10.01.15.00022 
Sealing frame	ISDR 100x100x12 Cup 4	10.01.15.00404
Sealing frame	ISDR 167x167x9.3 NBR-55	10.01.15.00182

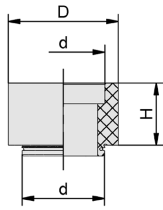
Type		Part no.
Friction plate	ISRPL 66x14x8.5	10.01.15.00019
Friction plate	ISRPL 66x26x8.5	10.01.15.00018
Friction plate	ISRPL 66x66x8.5	10.01.15.00017
Friction plate	ISRPL 66x66x8.5 NK-45 d12	10.01.15.00343
Friction plate	ISRPL 66x26x8.5 NK-45 d12	10.01.15.00344
Friction plate	ISRPL 86x86x8.7 NBR-55 d5	10.01.15.00402

Type		Part no.
Sealing magnet	ISMST 19-7 4ISMST	10.01.14.00847 
Mono-Base	ISMB 80x80x61	10.01.15.00414
Sealing profile (meter)	DI-PROF 4x10 MOS EPDM HR	10.01.15.00062
Magnetic valve	VCMV 3 25	10.01.15.00133
Touch Valve	TV D9 4.3	10.01.12.02514
Touch Valve	TV D11 4.3	10.01.15.00347
Sieve, round	SIEB 11x1 M5-A2 100	10.07.01.00085
Cover	ABDK 80x4 ISQB	10.01.15.00083

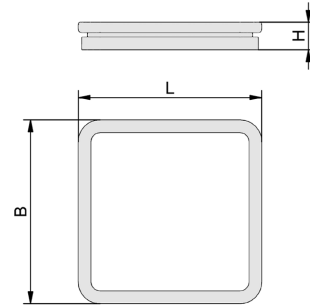
Accessories and Spare Parts

Accessories and spare parts ISMST, ISRPL, ISDR, DI-PROF, ISZR-V, VCMV, SIEB, TV

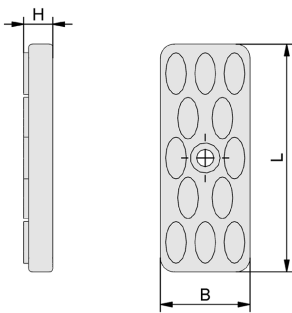
Design data Accessories and Spare Parts



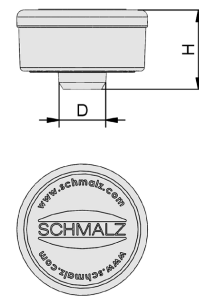
ISZR



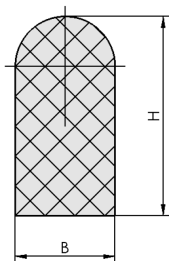
ISDR



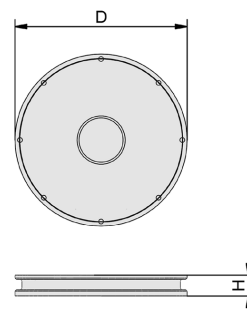
ISRPL



ISMST



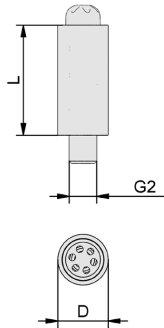
DI-PROF



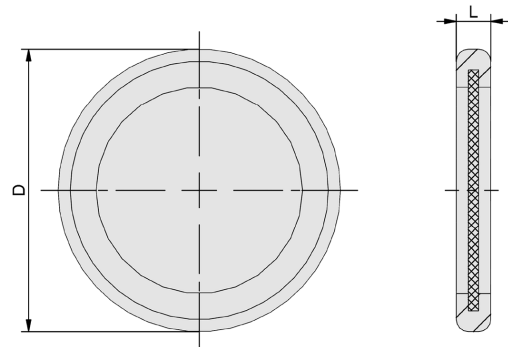
VCMV

Accessories and Spare Parts

Accessories and spare parts ISMST, ISRPL, ISDR, DI-PROF, ISZR-V, VCMV, SIEB, TV



TV



SIEB

Accessories and Spare Parts

Accessories and spare parts ISMST, ISRPL, ISDR, DI-PROF, ISZR-V, VCMV, SIEB, TV

Design data Accessories and Spare Parts

Type	D [mm]	d [mm]	H [mm]
ISZR-V 80x15	80	60	15
ISZR-V 80x20	80	60	20
ISZR-V 80x40	80	60	40
ISZR-V 80x45	80	60	45
ISZR-V 80x48	80	60	48

Type	B [mm]	H [mm]	L [mm]
ISDR 81x81x12 Cup 1 NK-50	81	12	81
ISDR 81x43x12 Cup 2 NK-50	43	12	81
ISDR 81x31x12 Cup 3 NK-50	31	12	81
ISDR 100x100x12 Cup 4	100	12	100

Type	B [mm]	H [mm]	L [mm]
ISRPL 66x14x8.5	14	9	66
ISRPL 66x26x8.5	26	9	66
ISRPL 66x66x8.5	66	9	66
ISRPL 86x86x8.7 NBR-55 d5	86	9	86

Type	B [mm]	D [mm]	G2	H [mm]	L [mm]
ISMST 19-7 4ISMST	-	7	-	12	-
DI-PROF 4x10 MOS EPDM HR	4	-	-	10	-
VCMV 3 25	-	25	-	3	-
TV D11 4.3	-	11	M6-M	-	24
SIEB 11x1 MS-A2 100	-	11	-	-	1