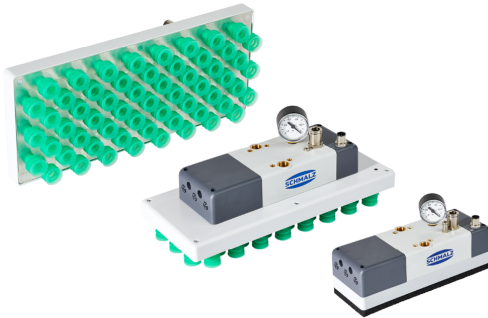
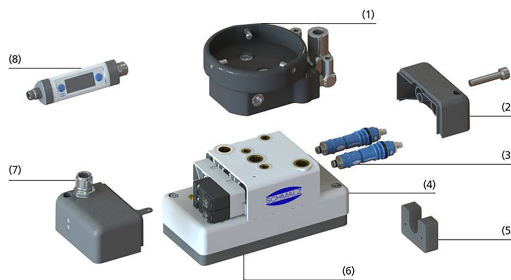


Area Gripping Systems FQE Xc

Gripping surface (LxW) from 120 x 60 mm to 300 x 130 mm



Area Gripping Systems FQE Xc



System Design Area Gripping Systems FQE Xc



Area gripping system FQE Xc when handling metal sheets

Suitability for Industry Specific Applications

Applications

- Flexible area gripper for handling products regardless of size and geometry
- Allows handling of products from different picking positions
- Ideal for stationary handling tasks with collaborative robots
- Suitable for fully automated applications
- Typically used for pick-and-place applications or end-of-line packaging in intralogistics
- Handling of products in the packaging, automotive, glass or electronics sector

Design

- Flange connection (1)
- Silencer cover (2) and sound insulation (5)
- Ejector modules ecoPump SEP (3) for vacuum generation
- Suction tray (4) and exchangeable suction plate (6)
- Multipole connector (7)
- Optional vacuum switch VSi (8)

Product Highlights

- Innovative product design according to ISO TS 15066 enables MRK operation
- Modular lightweight construction for a low weight and thus a higher effective lift capacity
- Particularly energy efficient, integrated vacuum generation for low operating costs with high operational reliability
- Low sound level for minimal noise during collaborative operation
- Integrated control valves for minimum cycle times and interference contours



Area Gripping Systems FQE Xc

Gripping surface (LxW) from 120 x 60 mm to 300 x 130 mm

Ordering Data Area Gripping Systems FQE Xc

Type	Part no.
FQE Xc 120x60 SW50 O10 PNP	10.01.44.00370
FQE Xc 120x60 SW80 SPB2 PNP	10.01.44.00371
FQE Xc 220x80 SW130 O20 PNP	10.01.44.00437
FQE Xc 220x80 SW130 SPB2 PNP	10.01.44.00373
FQE Xc 300x130 SW100 O20 PNP	10.01.44.00441
FQE Xc 300x130 SW80 SPB2 PNP	10.01.44.00375

Ordering Data Spare Parts Area Gripping Systems FQE Xc

Spare Parts	Part no.
Connection cable	ASK B-M12-5 5000 K-5P 21.04.05.00080
Connection cable	ASK WB-M12-5 5000 K-4P 21.04.05.00557
Vacuum gauge	VAM 40 V U BAR 10.07.02.00046
Vacuum/pressure switch	VSi V D M8-4 10.06.02.00577  

Type	Ejector module	Flow resistance	Bellows suction cup (round)
FQE Xc 120x60 SW50 O10 PNP	10.02.01.01343	-	-
FQE Xc 120x60 SW80 SPB2 PNP	10.02.01.01343	10.05.04.00090	10.01.06.03125
FQE Xc 220x80 SW130 O10 PNP	-	-	-
FQE Xc 220x80 SW130 SPB2 PNP	10.02.01.01347	10.05.04.00092	10.01.06.03125
FQE Xc 300x130 SW100 O10 PNP	-	-	-
FQE Xc 300x130 SW80 SPB2 PNP	10.02.01.01347	10.05.04.00092	10.01.06.03125

Type	VSL 6-4 PTFE MI-TR	VSL 10-7 PE MI-TR	VSL 10-7 PU MI-TR
FQE Xc 120x60 SW50 O10 PNP	10.07.09.00157	-	-
FQE Xc 120x60 SW80 SPB2 PNP	10.07.09.00157	-	-
FQE Xc 220x80 SW130 O10 PNP	-	-	-
FQE Xc 220x80 SW130 SPB2 PNP	-	10.07.09.00083	10.07.09.00084
FQE Xc 300x130 SW100 O10 PNP	-	-	-
FQE Xc 300x130 SW80 SPB2 PNP	-	10.07.09.00083	10.07.09.00084

Area Gripping Systems FQE Xc

Gripping surface (LxW) from 120 x 60 mm to 300 x 130 mm

Ordering Data Accessories Area Gripping Systems FQE Xc

Accessories		Part no.
Connection cable	ASK WB-M12-5 5000 K-4P	21.04.05.00557
Vacuum hose (meter)	VSL 4-2 PU MI-TR	10.07.09.00001
Vacuum hose (meter)	VSL 6-4 PU MI-TR	10.07.09.00002
Vacuum hose (meter)	VSL 8-6 PU MI-TR	10.07.09.00003
Vacuum hose (meter)	VSL 10-7 PE MI-TR	10.07.09.00083
Vacuum hose (meter)	VSL 12-9 PU MI-TR	10.07.09.00037
Vacuum hose (meter)	VSL 14-11 PU MI-TR	10.07.09.00038
Vacuum hose (meter)	VSL 26-19 PVC-DS KL-TR	10.07.09.00007
Vacuum gauge	VAM 40 V U BAR	10.07.02.00046
Vacuum/pressure switch	VSI V D M8-4	10.06.02.00577

Type	Ball joint	Vacuum filter (inline)
FQE Xc 120x60 SW50 O10 PNP	10.01.03.00109	10.07.01.00328
FQE Xc 120x60 SW80 SPB2 PNP	10.01.03.00109	10.07.01.00328

Accessories	FLK G1/4-IG G1/4-AG	FLK G1/2-IG G1/2-AG	KGL G1/4-IG G1/4-AG	KGL G1/2-IG G1/2-AG	VFT G3/8-IG 80	VFT G3/4-IG 80	VFT G3/8-IG 100
FQE Xc 220x80 SW130 O10 PNP	-	-	-	-	-	-	-
FQE Xc 220x80 SW130 SPB2 PNP	10.01.03.00178	10.01.03.00175	10.01.03.00110	10.01.03.00111	10.07.01.00122	10.07.01.00128	10.07.01.00123
FQE Xc 300x130 SW100 O10 PNP	-	-	-	-	-	-	-
FQE Xc 300x130 SW80 SPB2 PNP	10.01.03.00178	10.01.03.00175	10.01.03.00110	10.01.03.00111	10.07.01.00122	10.07.01.00128	10.07.01.00123

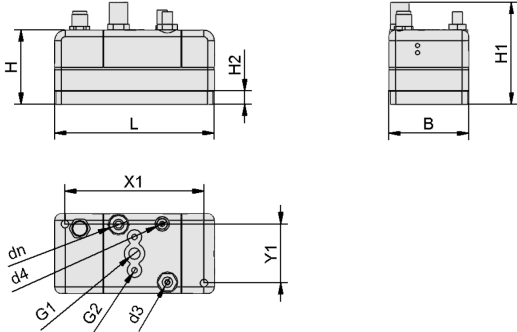
Technical Data Area Gripping Systems FQE Xc

Type	Shape	Function	Nozzle diameter [mm]	Material type	Suction plate type	Number of suction cells	Number of ejectors	with	Control valve	Weight [kg]
FQE Xc 120x60 SW50 O10 PNP	Integrated vacuum generation	controlled	1	Foam O, Height 10 mm	-	16	2	Ejector module SEP	Normally open	1
FQE Xc 120x60 SW80 SPB2 PNP	Integrated vacuum generation	controlled	1	-	SPB2	10	2	Ejector module SEP	Normally open	1
FQE Xc 220x80 SW130 O20 PNP	Integrated vacuum generation	controlled	2	Foam O, Height 20 mm	-	24	3	Ejector module SEP	Normally open	1
FQE Xc 220x80 SW130 SPB2 PNP	Integrated vacuum generation	controlled	2	-	SPB2	22	3	Ejector module SEP	Normally open	1
FQE Xc 300x130 SW100 O20 PNP	Integrated vacuum generation	controlled	1	Foam O, Height 20 mm	-	35	3	Ejector module SEP	Normally open	2
FQE Xc 300x130 SW80 SPB2 PNP	Integrated vacuum generation	controlled	1	-	SPB2	59	3	Ejector module SEP	Normally open	2

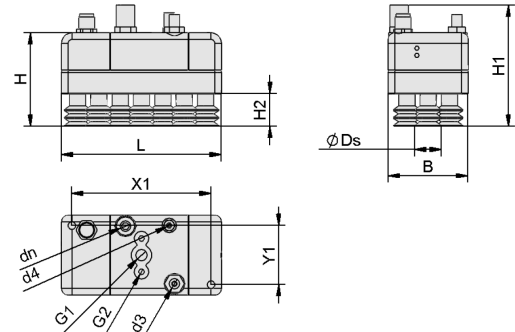
Area Gripping Systems FQE Xc

Gripping surface (LxW) from 120 x 60 mm to 300 x 130 mm

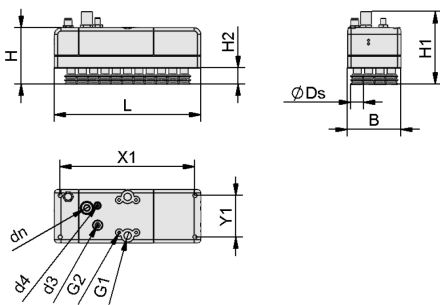
Design Data Area Gripping Systems FQE Xc



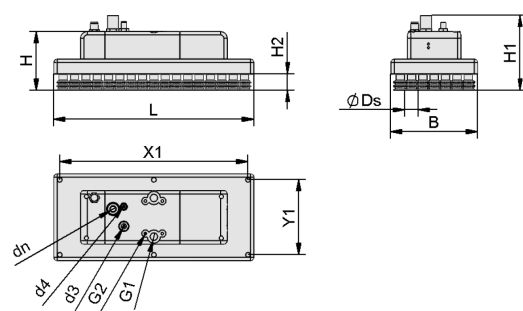
FQE Xc 120x60 O10



FQE Xc 120x60 SPB2



FQE Xc 220x80 SPB2



FQE Xc 300x130 SPB2

Area Gripping Systems FQE Xc

Gripping surface (LxW) from 120 x 60 mm to 300 x 130 mm

Design Data Area Gripping Systems FQE Xc

Type	B [mm]	Ds [mm]	dn	d3 [mm]	d4 [mm]	G1	G2	H [mm]	H1 [mm]	H2 [mm]	L [mm]	X1 [mm]	Y1 [mm]
FQE Xc 120x60 SW50 O10 PNP	60	-	6	-	-	G1/8"-F	M5-F	56.0	101.5	10.0	120	104.4	44.4
FQE Xc 120x60 SW80 SPB2 PNP	60	20	6	-	-	G1/8"-F	M5-F	70.2	116.0	24.3	120	104.4	44.4
FQE Xc 220x80 SW130 O20 PNP	80	-	10	4	4	G1/4"-F	M5-F	80.4	126.0	20.0	220	202.4	62.4
FQE Xc 220x80 SW130 SPB2 PNP	80	20	10	-	-	G1/4"-F	M5-F	84.7	130.3	24.3	220	202.4	62.4
FQE Xc 300x130 SW100 O20 PNP	130	-	20	4	4	G1/4"-F	M5-F	73.8	129.4	20.0	300	282.4	112.4
FQE Xc 300x130 SW80 SPB2 PNP	130	20	10	-	-	G1/4"-F	M5-F	88.1	133.7	24.3	300	282.4	112.4

Multimedia product presentation

Medium

Product video

Link

<https://vimeo.com/465674930>
<https://vimeo.com/461418552>