

Basic Ejectors SBP-C with Additional Functions

Suction rate from 7 l/min to 215 l/min



Suitability for Industry Specific Applications



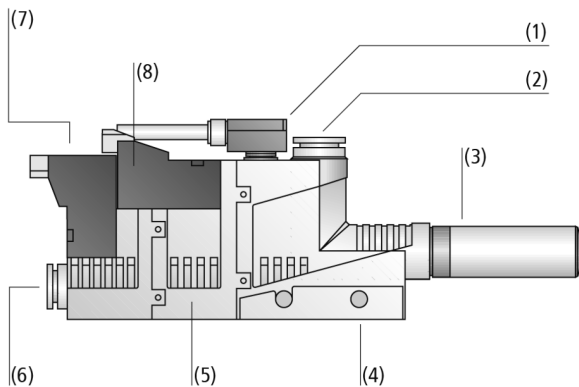
Basic Ejectors SBP-C with Additional Functions

Applications

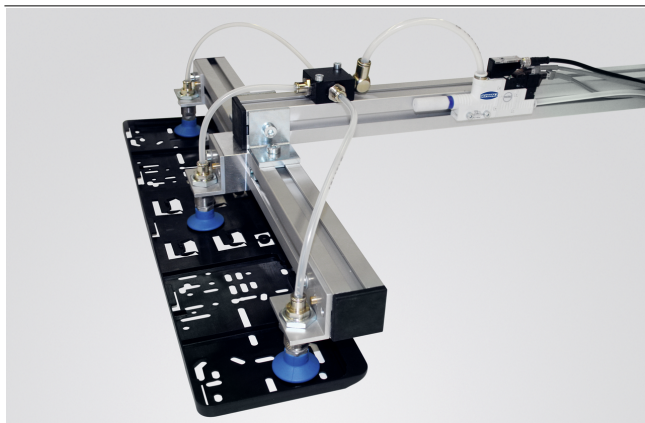
- Basic ejector with main body made of plastic, integrated valve technology and system monitoring for use in handling systems with highest dynamics
- Handling of all kinds of airtight components
- Use in separating systems where space is restricted
- Construction of ejector blocks for centralized or decentralized individual control of suction cups

Design

- Vacuum generator with single-stage nozzle, available in six power ratings, from 0.5 to 2.5 mm incl. silencer (3)
- Housing made of light, impact resistant plastic
- Connection of compressed air (6) and vacuum (2) with push-in coupling or threaded connection
- Basic housing with connection facility for a vacuum switch
- Optionally available with suction (7) or blow off pulse (8), blow off reservoir (5) (on SBP-C 05 and 07) and vacuum switch (1)
- Can be fixed horizontally with mounting holes (4) or vertically with the base on a mounting plate



System Design Basic Ejectors SBP-C with Additional Functions



Central vacuum generation with basic ejector SBP-C for handling plastic injection molded parts

Product Highlights

- Lightweight plastic housing optimized for decentralized vacuum supply in highly dynamic processes
- Fine power gradation (six levels) for minimum air consumption
- Compact and easy to install, since connections either with thread or plug-in connection
- Complete solution with valve technology and vacuum monitoring for optimized cycle times

Basic Ejectors SBP-C with Additional Functions

Suction rate from 7 l/min to 215 l/min

Designation Code Basic Ejectors SBP-C with Additional Functions



1 – Abbreviated designation

Code	Version
SBP-C	SBP-C

2 – Nozzle size

Code	Diameter in mm
05...25	ø 0.5 to 2.5

3 – Connection

Code	Connection
G01	Connection thread 1
G02	Connection thread 2
G03	Connection thread 3
S01	Quick connect push-in coupling 1
S02	Quick connect push-in coupling 2
S03	Quick connect push-in coupling 3

4 – Idle position suction valve

Code	Type
NC	Normally closed
NO	Normally open

5 – Blow off valve

Code	Type
A	Blow off valve
AI	Blow off pulse

6 – System monitoring

Code	Type
VS-T	Vacuum switch with teach button (PNP)

The basic ejector SBP-C is delivered as a ready-to-connect product (without connection cable).

Available spare parts: silencer

Available accessories: mounting plate, mounting set, connection cable

Ordering Data Basic Ejectors SBP-C with Additional Functions

Type					Nozzle size:					
					05	07	10	15	20	25
SBP-C	G01	NC	-	-	10.02.01.00611	10.02.01.00612	-	-	-	-
SBP-C	G01	NC	AI	-	10.02.01.00623	10.02.01.00624	-	-	-	-
SBP-C	G01	NC	AI	VS-T	10.02.01.01005	10.02.01.01006	-	-	-	-
SBP-C	G01	NC	-	VS-T	10.02.01.01003	10.02.01.01004	-	-	-	-
SBP-C	G01	-	-	VS-T	10.02.01.00997	10.02.01.00998	-	-	-	-
SBP-C	S01	NC	-	-	10.02.01.00575	10.02.01.00576	-	-	-	-
SBP-C	S01	NC	AI	-	10.02.01.00587	10.02.01.00588	-	-	-	-
SBP-C	S01	NC	AI	VS-T	10.02.01.00989	10.02.01.00990	-	-	-	-
SBP-C	S01	NC	-	VS-T	10.02.01.00987	10.02.01.00988	-	-	-	-
SBP-C	S01	-	-	VS-T	10.02.01.00981	10.02.01.00982	-	-	-	-
SBP-C	G02	NO	A	-	-	-	10.02.01.00625	10.02.01.00626	-	-
SBP-C	G02	NO	A	VS-T	-	-	10.02.01.01008	10.02.01.01009	-	-
SBP-C	G02	-	-	VS-T	-	-	10.02.01.00999	10.02.01.01000	-	-
SBP-C	S02	NO	A	-	-	-	10.02.01.00589	10.02.01.00590	-	-
SBP-C	S02	NO	A	VS-T	-	-	10.02.01.00993	10.02.01.00994	-	-
SBP-C	S02	-	-	VS-T	-	-	10.02.01.00983	10.02.01.00984	-	-
SBP-C	G03	NO	A	-	-	-	-	-	10.02.01.00627	10.02.01.00628
SBP-C	G03	NO	A	VS-T	-	-	-	-	10.02.01.01010	10.02.01.01011
SBP-C	G03	-	-	VS-T	-	-	-	-	10.02.01.01001	10.02.01.01002
SBP-C	S03	NO	A	-	-	-	-	-	10.02.01.00591	10.02.01.00592
SBP-C	S03	NO	A	VS-T	-	-	-	-	10.02.01.00995	10.02.01.00996
SBP-C	S03	-	-	VS-T	-	-	-	-	10.02.01.00985	10.02.01.00986

Basic Ejectors SBP-C with Additional Functions

Suction rate from 7 l/min to 215 l/min

Ordering Data Spare Parts Basic Ejectors SBP-C with Additional Functions

Type	Spare Parts			Part no.
SBP-C	05	Silencer (round)	SD M5-AG 9x24	10.02.01.00539
SBP-C	07	Silencer (round)	SD M5-AG 9x24	10.02.01.00539
SBP-C	10	Silencer (round)	SD G1/8-AG 14x40	10.02.01.00540
SBP-C	15	Silencer (round)	SD G1/8-AG 14x40	10.02.01.00540
SBP-C	20	Silencer (round)	SD G3/8-AG 20x76 SBP	10.02.01.00719
SBP-C	25	Silencer (round)	SD G3/8-AG 20x76 SBP	10.02.01.00719

Ordering Data Accessories Basic Ejectors SBP-C with Additional Functions

Type	Part no.	
Mounting plate	BEF-PL 110x44.5x3 SBP	10.02.01.00511
Mounting set	SET SBP M4-IG	10.02.01.00769
Connection cable for solenoid valves, 3 m, PUR	ASK B-MIC10 3000 K-2P	21.04.06.00086
Connection cable, M8 4-pole, 5 m, PUR, straight	ASK B-M8-4 5000 K-4P	10.06.02.00031

Technical Data Basic Ejectors SBP-C with Additional Functions

Type*	Nozzle diameter [mm]	Degree of evacuation [%]	Suction rate (max.) [l/min]	Suction rate (max.) [m³/h]	Air consumption suction [l/min]**	Air consumption suction [m³/h]
SBP-C	05	85	7	0.4	14	0.8
SBP-C	07	85	16	1.0	24	1.5
SBP-C	10	85	38	2.3	48	2.9
SBP-C	15	85	70	4.2	118	7.1
SBP-C	20	85	123	7.4	208	12.5
SBP-C	25	85	215	12.9	311	18.7

*The supply voltage for vacuum switches and solenoid valves is 24V DC

**On version with solenoid valves SBP-C 07 (24) / SBP-C 25 (320) and optimal operating pressure

Type*	Sound level suction [dB(A)]	Sound level free [dB(A)]	Pressure range (operating pressure) [bar]	Recomm. internal hose diameter compressed air [mm]**	Recomm. internal hose diameter vacuum [mm]***	Operating temperature [°C]
SBP-C	53	58	3.0 ... 6.0 bar	2	2	0 ... 50 °C
SBP-C	59	65	3.0 ... 6.0 bar	2	2	0 ... 50 °C
SBP-C	59	65	3.0 ... 6.0 bar	4	6	0 ... 50 °C
SBP-C	65	72	3.0 ... 6.0 bar	4	6	0 ... 50 °C
SBP-C	68	77	3.0 ... 6.0 bar	6	7	0 ... 50 °C
SBP-C	70	78	3.0 ... 6.0 bar	6	7	0 ... 50 °C

*The supply voltage for vacuum switches and solenoid valves is 24V DC

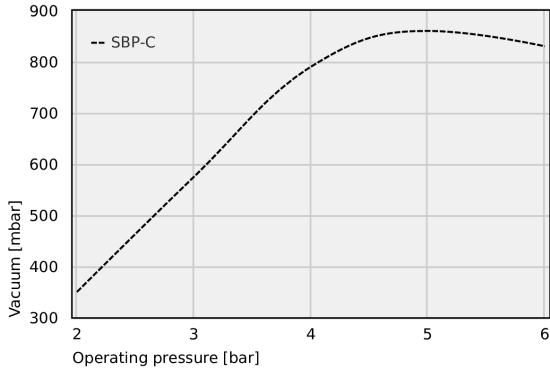
**For max. length 2 m

***For max. length 2 m

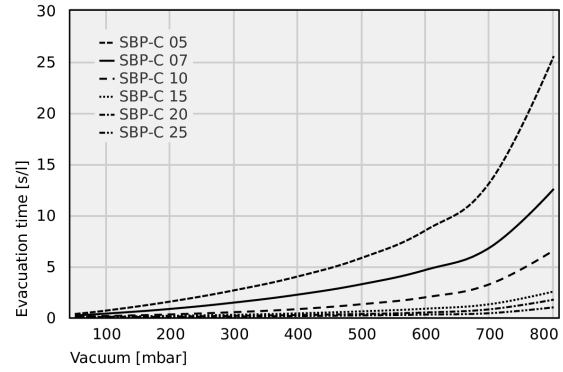
Basic Ejectors SBP-C with Additional Functions

Suction rate from 7 l/min to 215 l/min

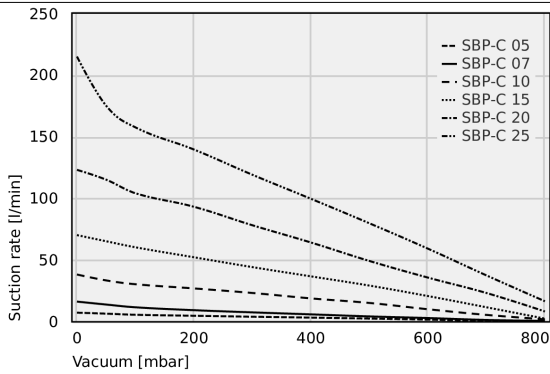
Performance Data Basic Ejectors SBP-C with Additional Functions



Achievable vacuum at various operating pressures



Evacuation times for various vacuum ranges [s/l]



Suction capacity at various degrees of evacuation [l/min]

Achievable vacuum at various operating pressures

	2	3	4	5	6
SBP-C	350.00	575.00	790.00	860.00	830.00

Basic Ejectors SBP-C with Additional Functions

Suction rate from 7 l/min to 215 l/min

📄 Evacuation times for various vacuum ranges [s/l]

	50	100	200	300	400	500	600	700	800
SBP-C 05	0.34	0.68	1.56	2.66	4.02	5.84	8.54	13.22	25.54
SBP-C 07	0.20	0.38	0.84	1.46	2.24	3.26	4.66	6.84	12.56
SBP-C 10	0.06	0.14	0.30	0.52	0.82	1.30	1.98	3.26	6.56
SBP-C 15	0.05	0.08	0.16	0.26	0.40	0.60	0.86	1.30	2.54
SBP-C 20	0.03	0.05	0.09	0.16	0.24	0.34	0.49	0.80	1.74
SBP-C 25	0.02	0.03	0.06	0.09	0.14	0.20	0.28	0.42	0.99

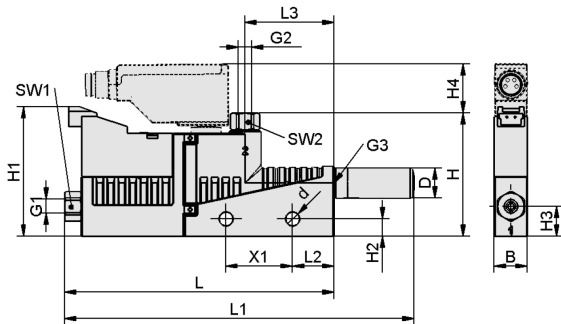
📄 Suction capacity at various degrees of evacuation [l/min]

	0	50	100	200	300	400	500	600	700	800
SBP-C 05	7.00	6.20	5.30	4.50	3.70	3.00	2.20	1.40	0.40	0.10
SBP-C 07	16.00	13.60	11.37	9.03	7.25	5.63	3.97	2.65	1.10	0.30
SBP-C 10	38.00	33.20	30.10	26.70	23.00	18.60	14.90	9.80	5.20	1.61
SBP-C 15	70.00	65.00	60.10	52.00	44.00	36.50	29.00	20.50	11.40	2.18
SBP-C 20	123.00	115.00	104.00	93.00	78.00	64.00	49.00	35.50	23.00	8.00
SBP-C 25	215.00	175.00	157.50	139.50	119.00	99.50	79.60	59.00	37.30	16.30

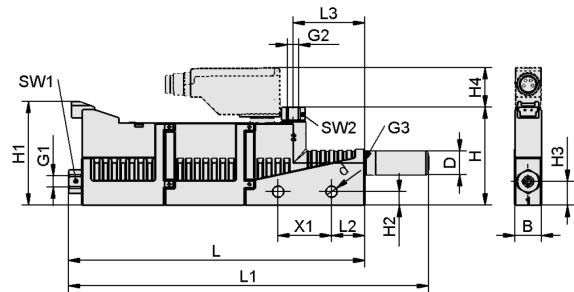
Basic Ejectors SBP-C with Additional Functions

Suction rate from 7 l/min to 215 l/min

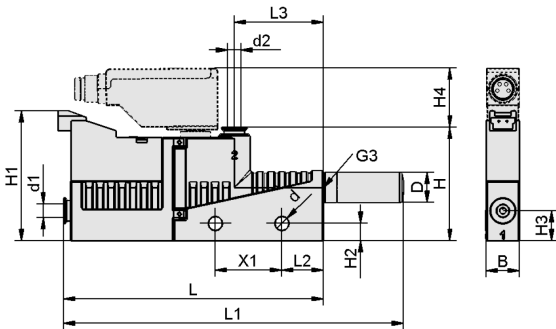
Design Data Basic Ejectors SBP-C with Additional Functions



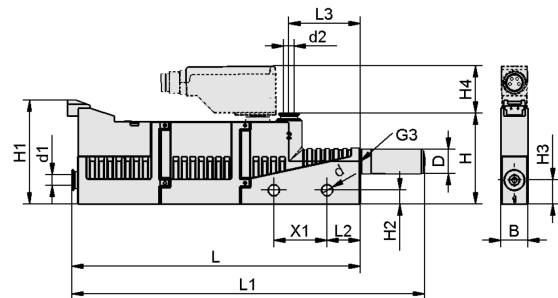
SBP-C 05/07 G01 NC (VS-T)



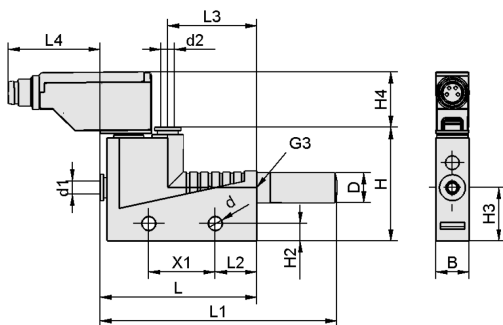
SBP-C 05/07 G01 NC AI (VS-T)



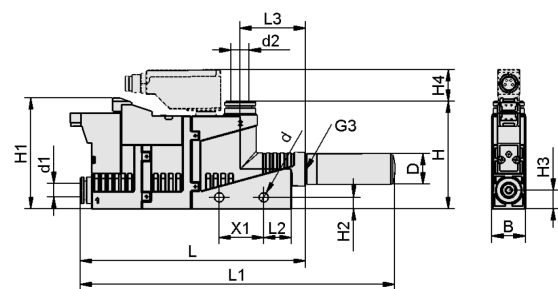
SBP-C 05/07 S01 NC (VS-T)



SBP-C 05/07 S01 NC AI (VS-T)



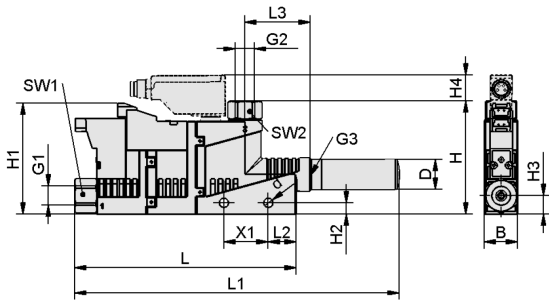
SBP-C 05/07 S01 VS-T, 10/15 S02 VS-T, 20/25 S03 VS-T



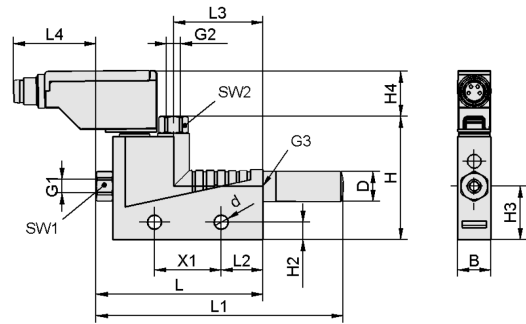
SBP-C 10/15 S02 NO A (VS-T)

Basic Ejectors SBP-C with Additional Functions

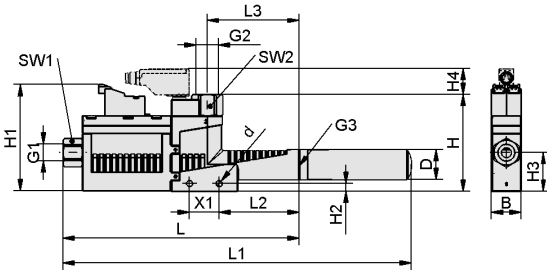
Suction rate from 7 l/min to 215 l/min



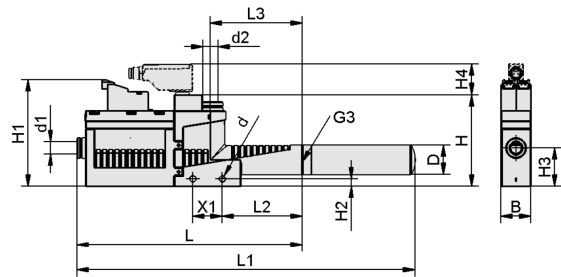
SBP-C 10/15 G02 NO A (VS-T)



SBP-C 05/07 G01 VS-T, 10/15 G02 VS-T, 20/25 G03 VS-T



SBP-C 20/25 G03 NO A (VS-T)



SBP-C 20/25 S03 NO A (VS-T)

Basic Ejectors SBP-C with Additional Functions

Suction rate from 7 l/min to 215 l/min

Design Data Basic Ejectors SBP-C with Additional Functions

Type	B [mm]	d [mm]	d1 [mm]	d2 [mm]	D [mm]	G1	G2	G3	H [mm]	H1 [mm]	H2 [mm]
SBP-C 05 G01 NC	10	4.2	-	-	9	M5-F	M5-F	M5-F	37	39	5.2
SBP-C 05 G01 NC AI	10	4.2	-	-	9	M5-F	M5-F	M5-F	37	39	5.2
SBP-C 05 G01 NC AI VS-T	10	4.2	-	-	9	M5-F	M5-F	M5-F	37	39	5.2
SBP-C 05 G01 NC VS-T	10	4.2	-	-	9	M5-F	M5-F	M5-F	37	39	5.2
SBP-C 05 G01 VS-T	10	4.2	-	-	9	M5-F	M5-F	M5-F	37	-	5.2
SBP-C 05 S01 NC	10	4.2	4	4	9	-	-	M5-F	34	39	5.2
SBP-C 05 S01 NC AI	10	4.2	4	4	9	-	-	M5-F	34	39	5.2
SBP-C 05 S01 NC AI VS-T	10	4.2	4	4	9	-	-	M5-F	34	39	5.2
SBP-C 05 S01 NC VS-T	10	4.2	4	4	9	-	-	M5-F	34	39	5.2
SBP-C 05 S01 VS-T	10	4.2	4	4	9	-	-	M5-F	34	-	5.2
SBP-C 07 G01 NC	10	4.2	-	-	9	M5-F	M5-F	M5-F	37	39	5.2
SBP-C 07 G01 NC AI	10	4.2	-	-	9	M5-F	M5-F	M5-F	37	39	5.2
SBP-C 07 G01 NC AI VS-T	10	4.2	-	-	9	M5-F	M5-F	M5-F	37	39	5.2
SBP-C 07 G01 NC VS-T	10	4.2	-	-	9	M5-F	M5-F	M5-F	37	39	5.2
SBP-C 07 G01 VS-T	10	4.2	-	-	9	M5-F	M5-F	M5-F	37	-	5.2
SBP-C 07 S01 NC	10	4.2	4	4	9	-	-	M5-F	34	39	5.2
SBP-C 07 S01 NC AI	10	4.2	4	4	9	-	-	M5-F	34	39	5.2
SBP-C 07 S01 NC AI VS-T	10	4.2	4	4	9	-	-	M5-F	34	39	5.2
SBP-C 07 S01 NC VS-T	10	4.2	4	4	9	-	-	M5-F	34	39	5.2
SBP-C 07 S01 VS-T	10	4.2	4	4	9	-	-	M5-F	34	-	5.2
SBP-C 10 G02 NO A	15	4.2	-	-	14	G1/8"-F	G1/8"-F	G1/8"-F	51	50	5.2
SBP-C 10 G02 NO A VS-T	15	4.2	-	-	14	G1/8"-F	G1/8"-F	G1/8"-F	51	50	5.2
SBP-C 10 G02 VS-T	15	4.2	-	-	14	G1/8"-F	G1/8"-F	G1/8"-F	51	-	5.2
SBP-C 10 S02 NO A	15	4.2	6	8	14	-	-	G1/8"-F	49	50	5.2
SBP-C 10 S02 NO A VS-T	15	4.2	6	8	14	-	-	G1/8"-F	49	50	5.2
SBP-C 10 S02 VS-T	15	4.2	6	8	14	-	-	G1/8"-F	49	-	5.2
SBP-C 15 G02 NO A	15	4.2	-	-	14	G1/8"-F	G1/8"-F	G1/8"-F	51	50	5.2
SBP-C 15 G02 NO A VS-T	15	4.2	-	-	14	G1/8"-F	G1/8"-F	G1/8"-F	51	50	5.2

Basic Ejectors SBP-C with Additional Functions

Suction rate from 7 l/min to 215 l/min

Type	B [mm]	d [mm]	d1 [mm]	d2 [mm]	D [mm]	G1	G2	G3	H [mm]	H1 [mm]	H2 [mm]
SBP-C 15 G02 VS-T	15	4.2	-	-	14	G1/8"-F	G1/8"-F	G1/8"-F	51	-	5.2
SBP-C 15 S02 NO A	15	4.2	6	8	14	-	-	G1/8"-F	49	50	5.2
SBP-C 15 S02 NO A VS-T	15	4.2	6	8	14	-	-	G1/8"-F	49	50	5.2
SBP-C 15 S02 VS-T	15	4.2	6	8	14	-	-	G1/8"-F	49	-	5.2
SBP-C 20 G03 NO A	20	4.2	-	-	20	G1/4"-F	G3/8"-F	G3/8"-F	66	72	5.2
SBP-C 20 G03 NO A VS-T	20	4.2	-	-	20	G1/4"-F	G3/8"-F	G3/8"-F	66	72	5.2
SBP-C 20 G03 VS-T	20	4.2	-	-	20	G1/4"-F	G3/8"-F	G3/8"-F	66	-	5.2
SBP-C 20 S03 NO A	20	4.2	8	10	20	-	-	G3/8"-F	58	72	5.2
SBP-C 20 S03 NO A VS-T	20	4.2	8	10	20	-	-	G3/8"-F	62	72	5.2
SBP-C 20 S03 VS-T	20	4.2	8	10	20	-	-	G3/8"-F	62	-	5.2
SBP-C 25 G03 NO A	20	4.2	-	-	20	G1/4"-F	G3/8"-F	G3/8"-F	66	72	5.2
SBP-C 25 G03 NO A VS-T	20	4.2	-	-	20	G1/4"-F	G3/8"-F	G3/8"-F	66	72	5.2
SBP-C 25 G03 VS-T	20	4.2	-	-	20	G1/4"-F	G3/8"-F	G3/8"-F	66	-	5.2
SBP-C 25 S03 NO A	20	4.2	8	10	20	-	-	G3/8"-F	58	72	5.2
SBP-C 25 S03 NO A VS-T	20	4.2	8	10	20	-	-	G3/8"-F	62	72	5.2
SBP-C 25 S03 VS-T	20	4.2	8	10	20	-	-	G3/8"-F	62	-	5.2

Type	H3 [mm]	H4 [mm]	L [mm]	L1 [mm]	L2 [mm]	L3 [mm]	L4 [mm]	SW1 [mm]	SW2 [mm]	X1 [mm]
SBP-C 05 G01 NC	9	-	81	105	13	27	-	8	8	20
SBP-C 05 G01 NC AI	9	-	111	135	13	27	-	8	8	20
SBP-C 05 G01 NC AI VS-T	9	15	111	135	13	27	-	8	8	20
SBP-C 05 G01 NC VS-T	9	15	81	105	13	27	-	8	8	20
SBP-C 05 G01 VS-T	16	15	50	74	13	27	25	8	8	20
SBP-C 05 S01 NC	9	-	78	102	13	27	-	-	-	20
SBP-C 05 S01 NC AI	9	-	108	132	13	27	-	-	-	20
SBP-C 05 S01 NC AI VS-T	9	18	108	132	13	27	-	-	-	20
SBP-C 05 S01 NC VS-T	9	18	78	102	13	27	-	-	-	20
SBP-C 05 S01 VS-T	16	18	47	71	13	27	28	-	-	20
SBP-C 07 G01 NC	9	-	81	105	13	27	-	8	8	20
SBP-C 07 G01 NC AI	9	-	111	135	13	27	-	8	8	20

Basic Ejectors SBP-C with Additional Functions

Suction rate from 7 l/min to 215 l/min

Type	H3 [mm]	H4 [mm]	L [mm]	L1 [mm]	L2 [mm]	L3 [mm]	L4 [mm]	SW1 [mm]	SW2 [mm]	X1 [mm]
SBP-C 07 G01 NC AI VS-T	9	15	111	135	13	27	-	8	8	20
SBP-C 07 G01 NC VS-T	9	15	81	105	13	27	-	8	8	20
SBP-C 07 G01 VS-T	16	15	50	74	13	27	25	8	8	20
SBP-C 07 S01 NC	9	-	78	102	13	27	-	-	-	20
SBP-C 07 S01 NC AI	9	-	108	132	13	27	-	-	-	20
SBP-C 07 S01 NC AI VS-T	9	18	108	132	13	27	-	-	-	20
SBP-C 07 S01 NC VS-T	9	18	78	102	13	27	-	-	-	20
SBP-C 07 S01 VS-T	16	18	47	71	13	27	28	-	-	20
SBP-C 10 G02 NO A	9	-	106	146	19	30	-	14	14	20
SBP-C 10 G02 NO A VS-T	9	12	106	146	19	30	-	14	14	20
SBP-C 10 G02 VS-T	18	12	62	102	19	30	20	14	14	20
SBP-C 10 S02 NO A	9	-	102	142	19	30	-	-	-	20
SBP-C 10 S02 NO A VS-T	9	15	102	142	13	30	-	-	-	20
SBP-C 10 S02 VS-T	18	15	57	97	19	30	25	-	-	20
SBP-C 15 G02 NO A	9	-	106	146	19	30	-	14	14	20
SBP-C 15 G02 NO A VS-T	9	12	106	146	19	30	-	14	14	20
SBP-C 15 G02 VS-T	18	12	62	102	19	30	20	14	14	20
SBP-C 15 S02 NO A	9	-	102	142	19	30	-	-	-	20
SBP-C 15 S02 NO A VS-T	9	15	102	142	19	30	-	-	-	20
SBP-C 15 S02 VS-T	18	15	57	97	19	30	25	-	-	20
SBP-C 20 G03 NO A	9	-	160	236	54	62	-	17	19	20
SBP-C 20 G03 NO A VS-T	26	18	160	236	54	62	-	17	19	20
SBP-C 20 G03 VS-T	18	18	100	176	54	62	18	17	19	20
SBP-C 20 S03 NO A	26	-	152	228	54	62	-	-	-	20
SBP-C 20 S03 NO A VS-T	26	21	152	228	54	62	-	-	-	20
SBP-C 20 S03 VS-T	18	21	92	168	54	62	26	-	-	20
SBP-C 25 G03 NO A	9	-	160	236	54	62	-	17	19	20
SBP-C 25 G03 NO A VS-T	26	18	160	236	54	62	-	17	19	20
SBP-C 25 G03 VS-T	18	18	100	176	54	62	18	17	19	20

Basic Ejectors SBP-C with Additional Functions

Suction rate from 7 l/min to 215 l/min

Type	H3 [mm]	H4 [mm]	L [mm]	L1 [mm]	L2 [mm]	L3 [mm]	L4 [mm]	SW1 [mm]	SW2 [mm]	X1 [mm]
SBP-C 25 S03 NO A	26	-	152	228	54	62	-	-	-	20
SBP-C 25 S03 NO A VS-T	26	21	152	228	54	62	-	-	-	20
SBP-C 25 S03 VS-T	18	21	92	168	54	62	26	-	-	20