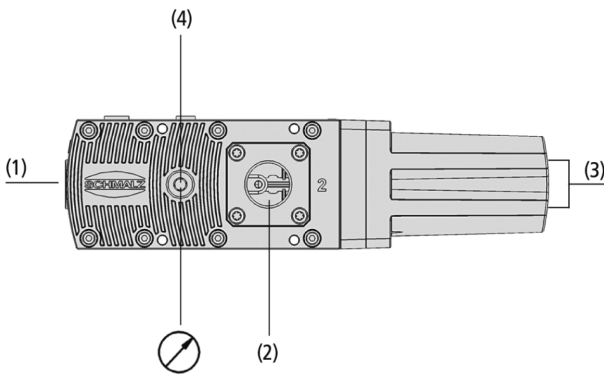


# Basic Ejectors SBPL

Suction rate from 290 l/min to 1,140 l/min



Basic Ejectors SBPL



System design Basic Ejectors SBPL



Central vacuum generation with basic ejectors SBPL

## Suitability for industry specific applications

### Applications

- Basic ejector with highest suction capacity for handling cardboard boxes, packaging materials, insulating materials and other porous materials
- Processes that require high volume flows with simultaneously optimized energy consumption

### Design

- Main body and nozzle system made of extremely robust plastic
- Pneumatic connections for compressed air (1), vacuum (2) and exhaust air (silencer) (3)
- Connections for valves, vacuum switches or vacuum gauges (4)
- Optional accessories: vacuum switch, vacuum manometer, quick exhaust valves, solenoid valves

### Product highlights

- Ejector ideally suited for porous materials due to very high suction capacity
- Air consumption optimized for either airtight (HV) or porous (HF) workpieces
- Integrated eco nozzle technology with highest energy efficiency
- Working vacuum is reached very quickly
- Simple and fast maintenance, due to modular design

# Basic Ejectors SBPL

Suction rate from 290 l/min to 1,140 l/min

## Designation code Basic Ejectors SBPL

<b>SBPL</b>	-	<b>100</b>	-	<b>HF</b>	-	<b>NPT</b>
1		2		3		4

### 1 – Abbreviated designation

Code	Version
SBPL	SBPL

### 2 – Size

Code	Type
25...150	25 to 150

### 3 – Variant

Code	Type
HF	High Flow
HV	High Vacuum













### 4 – Special thread

Code	Type
NPT	NPT (thread)

The basic ejector SBPL is delivered as a ready-to-connect product.

Available accessories: retrofit kit, sealing plugs, vacuum manometer, quick exhaust valves, exhaust kit, retrofit kit, solenoid valves, vacuum cup filter, mounting brackets, vacuum hose, hose nozzle

## Ordering data Basic Ejectors SBPL

Type			Size:							
			25.00	50.00	75.00	100.00	125.00	150.00		
SBPL	HF	-	10.02.01.01596 	10.02.01.01597 	10.02.01.01650 	10.02.01.01598 	10.02.01.01652 	10.02.01.01599 		
SBPL	HV	-	10.02.01.01586 	10.02.01.01590 	10.02.01.01649 	10.02.01.01591 	10.02.01.01651 	10.02.01.01592 		
SBPL	HF	NPT	10.02.01.01604	10.02.01.01605	10.02.01.01654	10.02.01.01606	10.02.01.01656	10.02.01.01607		
SBPL	HV	NPT	10.02.01.01600	10.02.01.01601	10.02.01.01653	10.02.01.01602	10.02.01.01655	10.02.01.01603		

## Basic Ejectors SBPL

Suction rate from 290 l/min to 1,140 l/min

### Ordering data Accessories Basic Ejectors SBPL

Type	Part no.
Mouting bracket (inst.)	BEF-WIN 72x25x77 SBPL/SCPL
Vacuum gauge (electronic)	VAM-D 30x30 VP10 G1/8-AG
Vacuum gauge	VAM 40 V DR BAR
Vacuum/pressure switch	VSi V D M8-4
Solenoid valve pressure	EMV 3 24V-DC 2/2 NC K-2P
Quick exhaust valve	SEV G1/8-IG G1/4-AG
Vacuum hose (meter)	VSL 27-20 PU-DS-AS TR
Vacuum hose (meter)	VSL 32-25 PU-DS-AS TR
Vacuum hose (meter)	VSL 42-32 PU-DS-AS TR

Type	Exhaust air set SBPL / SCPL, size M	Exhaust air set SBPL / SCPL, size L	SBPL retrofit kit, size 75/100	SBPL retrofit kit, size 125/150
SBPL 25	10.02.01.01939	10.02.01.01940	-	-
SBPL 50	10.02.01.01939	10.02.01.01940	10.02.01.01685	-
SBPL 75	10.02.01.01939	10.02.01.01940	-	-
SBPL 100	10.02.01.01939	10.02.01.01940	-	10.02.01.01686
SBPL 125	10.02.01.01939	-	-	-
SBPL 150	10.02.01.01939	-	-	-

Type	Vacuum cup filter, connection G3/4"-F	Vacuum cup filter, connection G1/2"-F	Dust filter, connection G3/4"-F	Dust filter, connection G1-1/4"-F
SBPL 25	-	10.07.01.00125	-	-
SBPL 50	10.07.01.00128	-	-	-
SBPL 75	-	-	10.07.01.00007	-
SBPL 100	-	-	-	10.07.01.00008
SBPL 125	-	-	-	10.07.01.00008
SBPL 150	-	-	-	10.07.01.00008

Type	Accessories	Part no.
SBPL 25	Hose sleeve	ST 20 AL-EL
SBPL 50	Hose sleeve	ST 25 AL-EL
SBPL 75	Hose sleeve	ST 32 AL-EL
SBPL 100	Hose sleeve	ST 32 AL-EL
SBPL 125	Hose sleeve	ST 32 AL-EL
SBPL 150	Hose sleeve	ST 32 AL-EL

## Basic Ejectors SBPL

Suction rate from 290 l/min to 1,140 l/min

### Technical data Basic Ejectors SBPL

Type	Degree of evacuation [%]	Suction rate [l/min]	Suction rate [m <sup>3</sup> /h]	Air consumption suction [l/min]*	Air consumption suction [m <sup>3</sup> /h]	Sound level free [dB(A)]
SBPL 25 HF	60	290	17.4	80	5	61
SBPL 25 HV	90	300	18.0	105	7	65
SBPL 50 HF	60	500	30.0	160	10	65
SBPL 50 HV	90	510	30.6	210	13	66
SBPL 75 HF	60	710	42.6	230	14	67
SBPL 75 HV	90	720	43.2	305	19	68
SBPL 100 HF	60	860	51.6	300	19	69
SBPL 100 HV	90	870	52.2	395	25	70
SBPL 125 HF	60	1,010	60.6	370	23	70
SBPL 125 HV	90	1,010	60.6	470	29	72
SBPL 150 HF	60	1,120	67.2	435	27	71
SBPL 150 HV	90	1,140	68.4	545	34	73

\*At optimal operating pressure

Type	Sound level suction [dB(A)]	Pressure range (operating pressure) [bar]	Recomm. internal hose diameter compressed air [mm]*	Recomm. internal hose diameter vacuum [mm]**	Weight [kg]	Operating temperature [°C]
SBPL 25 HF	54	2.0 ... 6.0 bar	6	20	0.8	0 ... 60 °C
SBPL 25 HV	55	2.0 ... 6.0 bar	6	20	0.8	0 ... 60 °C
SBPL 25 HF NPT	54	2.0 ... 6.0 bar	6	20	0.8	0 ... 60 °C
SBPL 25 HV NPT	55	2.0 ... 6.0 bar	6	20	0.8	0 ... 60 °C
SBPL 50 HF	55	2.0 ... 6.0 bar	6	25	0.8	0 ... 60 °C
SBPL 50 HV	59	2.0 ... 6.0 bar	6	25	0.8	0 ... 60 °C
SBPL 50 HF NPT	55	2.0 ... 6.0 bar	6	25	0.8	0 ... 60 °C
SBPL 50 HV NPT	59	2.0 ... 6.0 bar	6	25	0.8	0 ... 60 °C
SBPL 75 HF	57	2.0 ... 6.0 bar	9	32	1.1	0 ... 60 °C
SBPL 75 HV	62	2.0 ... 6.0 bar	9	32	1.1	0 ... 60 °C
SBPL 75 HF NPT	57	2.0 ... 6.0 bar	9	32	1.1	0 ... 60 °C
SBPL 75 HV NPT	62	2.0 ... 6.0 bar	9	32	1.1	0 ... 60 °C
SBPL 100 HF	58	2.0 ... 6.0 bar	9	32	1.1	0 ... 60 °C
SBPL 100 HV	64	2.0 ... 6.0 bar	9	32	1.1	0 ... 60 °C
SBPL 100 HF NPT	58	2.0 ... 6.0 bar	9	32	1.1	0 ... 60 °C
SBPL 100 HV NPT	64	2.0 ... 6.0 bar	9	32	1.1	0 ... 60 °C
SBPL 125 HF	60	2.0 ... 6.0 bar	11	32	1.5	0 ... 60 °C
SBPL 125 HV	65	2.0 ... 6.0 bar	11	32	1.5	0 ... 60 °C
SBPL 125 HF NPT	60	2.0 ... 6.0 bar	11	32	1.5	0 ... 60 °C
SBPL 125 HV NPT	65	2.0 ... 6.0 bar	11	32	1.5	0 ... 60 °C
SBPL 150 HF	61	2.0 ... 6.0 bar	11	32	1.5	0 ... 60 °C
SBPL 150 HV	66	2.0 ... 6.0 bar	11	32	1.5	0 ... 60 °C
SBPL 150 HF NPT	61	2.0 ... 6.0 bar	11	32	1.5	0 ... 60 °C
SBPL 150 HV NPT	66	2.0 ... 6.0 bar	11	32	1.5	0 ... 60 °C

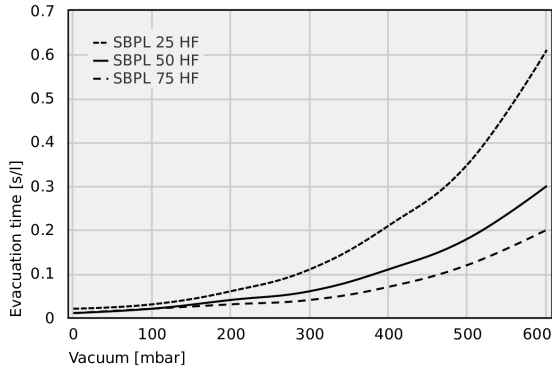
\*For max. length 2 m

\*\*For max. length 2 m

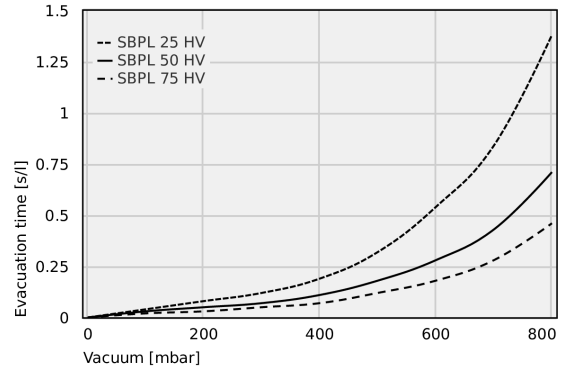
# Basic Ejectors SBPL

Suction rate from 290 l/min to 1,140 l/min

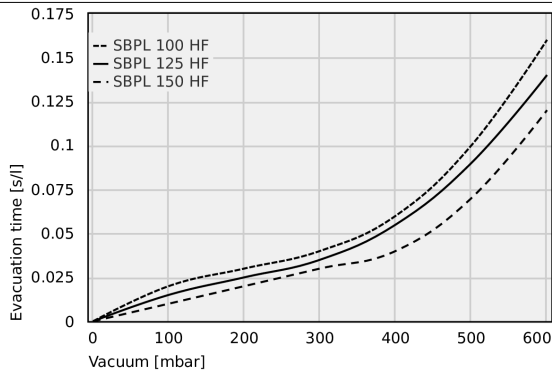
**Performance data Basic Ejectors SBPL**



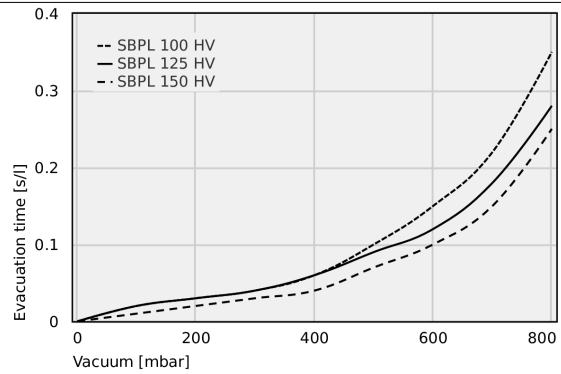
Evacuation times for various vacuum ranges [s/l]



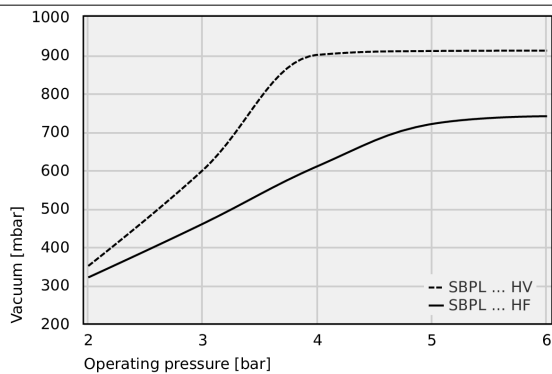
Evacuation times for various vacuum ranges [s/l]



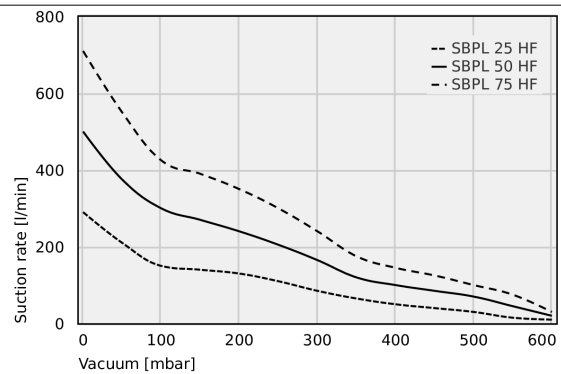
Evacuation times for various vacuum ranges [s/l]



Evacuation times for various vacuum ranges [s/l]



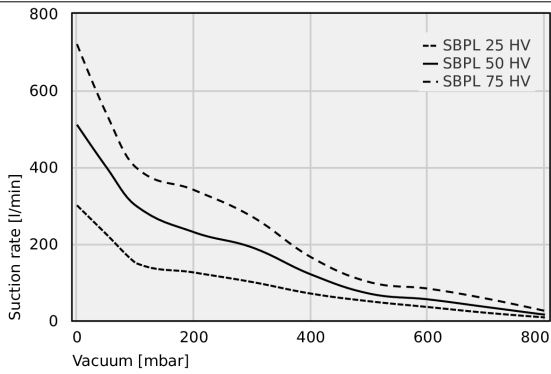
Achievable vacuum at various operating pressures



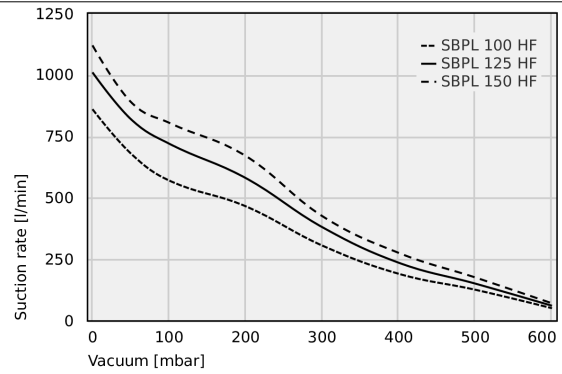
Suction rate at various degrees of evacuation [l/min]

# Basic Ejectors SBPL

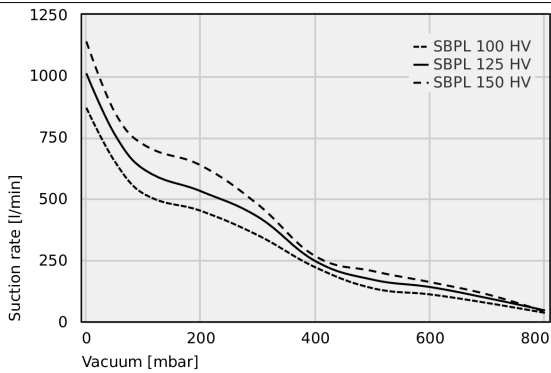
Suction rate from 290 l/min to 1,140 l/min



Suction rate at various degrees of evacuation [l/min]



Suction rate at various degrees of evacuation [l/min]



Suction rate at various degrees of evacuation [l/min]

## Basic Ejectors SBPL

Suction rate from 290 l/min to 1,140 l/min

### Evacuation times for various vacuum ranges [s/l]

	0	100	200	300	400	500	600
SBPL 25 HF	0.02	0.03	0.06	0.11	0.21	0.35	0.61
SBPL 50 HF	0.01	0.02	0.04	0.06	0.11	0.18	0.30
SBPL 75 HF	0.01	0.02	0.03	0.04	0.07	0.12	0.20

	0	100	200	300	400	500	600	700	800
SBPL 25 HV	-	0.04	0.08	0.12	0.19	0.32	0.54	0.84	1.38
SBPL 50 HV	-	0.03	0.05	0.07	0.11	0.18	0.28	0.43	0.71
SBPL 75 HV	-	0.02	0.03	0.05	0.07	0.12	0.18	0.28	0.46

	0	100	200	300	400	500	600
SBPL 100 HF	-	0.02	0.03	0.04	0.06	0.10	0.16
SBPL 125 HF	-	0.015	0.025	0.035	0.055	0.09	0.14
SBPL 150 HF	-	0.01	0.02	0.03	0.04	0.07	0.12

	0	100	200	300	400	500	600	700	800
SBPL 100 HV	-	0.02	0.03	0.04	0.06	0.1	0.15	0.22	0.35
SBPL 125 HV	-	0.02	0.03	0.04	0.06	0.09	0.12	0.18	0.28
SBPL 150 HV	-	0.01	0.02	0.03	0.04	0.07	0.1	0.15	0.25

### Achievable vacuum at various operating pressures

	2	3	4	5	6
SBPL ... HV	350.00	600.00	900.00	910.00	911.00
SBPL ... HF	320.00	460.00	610.00	720.00	740.00

### Suction rate at various degrees of evacuation [l/min]

	0	50	100	150	200	250	300	350	400	450	500	550	600
SBPL 25 HF	290.00	210.00	150.00	140.00	130.00	110.00	85.00	65.00	50.00	40.00	30.00	15.00	10.00
SBPL 50 HF	500.00	375.00	300.00	270.00	240.00	205.00	165.00	120.00	100.00	85.00	70.00	45.00	20.00
SBPL 75 HF	710.00	550.00	425.00	390.00	350.00	300.00	240.00	175.00	145.00	125.00	100.00	75.00	30.00

	0	50	100	200	300	400	500	600	700	800
SBPL 25 HV	300	225	150	125	100	70	50	35	20	8
SBPL 50 HV	510	400	300	230	190	120	70	55	35	15
SBPL 75 HV	720	540	400	340	270	165	100	83	57	25

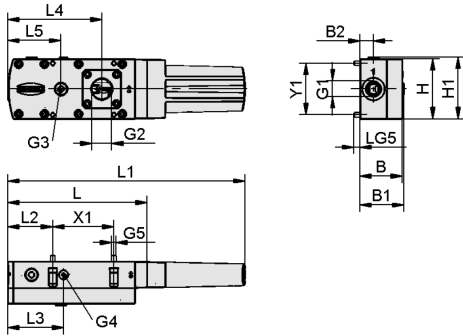
	0	50	100	200	300	400	500	600
SBPL 100 HF	860	680	570	465	305	190	125	50
SBPL 125 HF	1010	820	720	580	380	235	150	60
SBPL 150 HF	1120	890	805	670	425	275	175	70

	0	50	100	200	300	400	500	600	700	800
SBPL 100 HV	870	650	520	450	350	220	135	110	75	35
SBPL 125 HV	1010	760	620	530	425	245	170	140	95	45
SBPL 150 HV	1140	850	720	635	475	265	205	160	110	40

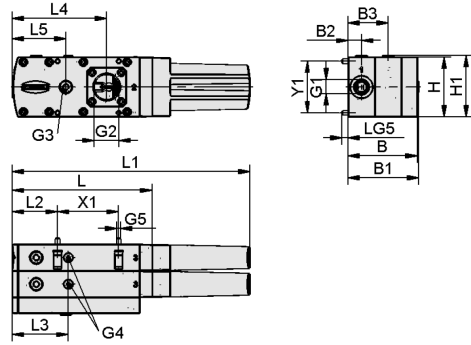
# Basic Ejectors SBPL

Suction rate from 290 l/min to 1,140 l/min

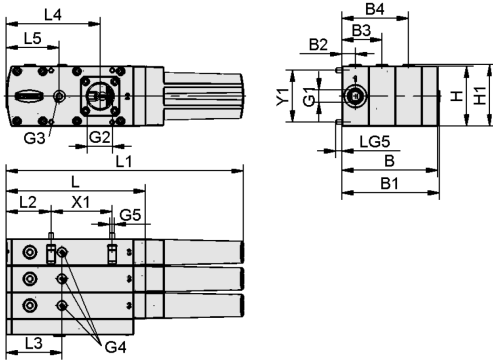
Design data Basic Ejectors SBPL



SBPL 25/50



SBPL 75/100



SBPL 125/150



# Basic Ejectors SBPL

Suction rate from 290 l/min to 1,140 l/min

## Design data Basic Ejectors SBPL

Type	B [mm]	B1 [mm]	B2 [mm]	B3 [mm]	B4 [mm]	G1	G2	G3	G4	G5	H [mm]
SBPL 25 HF	51	53	16	-	-	G3/8"-F	G3/4"-F	G1/4"-F	G1/8"-F	M5-M	72
SBPL 25 HV	51	53	16	-	-	G3/8"-F	G3/4"-F	G1/4"-F	G1/8"-F	M5-M	72
SBPL 25 HF NPT	51	53	16	-	-	NPT3/8"-F	NPT3/4-F	NPT1/4-F	G1/8"-F	M5-M	72
SBPL 25 HV NPT	51	53	16	-	-	NPT3/8"-F	NPT3/4-F	NPT1/4-F	G1/8"-F	M5-M	72
SBPL 50 HF	51	53	16	-	-	G3/8"-F	G3/4"-F	G1/4"-F	G1/8"-F	M5-M	72
SBPL 50 HV	51	53	16	-	-	G3/8"-F	G3/4"-F	G1/4"-F	G1/8"-F	M5-M	72
SBPL 50 HF NPT	51	53	16	-	-	NPT3/8"-F	NPT3/4-F	NPT1/4-F	G1/8"-F	M5-M	72
SBPL 50 HV NPT	51	53	16	-	-	NPT3/8"-F	NPT3/4-F	NPT1/4-F	G1/8"-F	M5-M	72
SBPL 75 HF	83	85	16	48	-	G3/8"-F	G1"-F	G1/4"-F	G1/8"-F	M5-M	72
SBPL 75 HV	83	85	16	48	-	G3/8"-F	G1"-F	G1/4"-F	G1/8"-F	M5-M	72
SBPL 75 HF NPT	83	85	16	48	-	NPT3/8"-F	NPT1-F	NPT1/4-F	G1/8"-F	M5-M	72
SBPL 75 HV NPT	83	85	16	48	-	NPT3/8"-F	NPT1-F	NPT1/4-F	G1/8"-F	M5-M	72
SBPL 100 HF	83	85	16	48	-	G3/8"-F	G1"-F	G1/4"-F	G1/8"-F	M5-M	72
SBPL 100 HV	83	85	16	48	-	G3/8"-F	G1"-F	G1/4"-F	G1/8"-F	M5-M	72
SBPL 100 HF NPT	83	85	16	48	-	NPT3/8"-F	NPT1-F	NPT1/4-F	G1/8"-F	M5-M	72
SBPL 100 HV NPT	83	85	16	48	-	NPT3/8"-F	NPT1-F	NPT1/4-F	G1/8"-F	M5-M	72
SBPL 125 HF	115	117	16	48	80	G3/8"-F	G1"-F	G1/4"-F	G1/8"-F	M5-M	72
SBPL 125 HV	115	117	16	48	80	G3/8"-F	G1"-F	G1/4"-F	G1/8"-F	M5-M	72
SBPL 125 HF NPT	115	117	16	48	80	NPT3/8"-F	NPT1-F	NPT1/4-F	G1/8"-F	M5-M	72
SBPL 125 HV NPT	115	117	16	48	80	NPT3/8"-F	NPT1-F	NPT1/4-F	G1/8"-F	M5-M	72
SBPL 150 HF	115	117	16	48	80	G3/8"-F	G1"-F	G1/4"-F	G1/8"-F	M5-M	72
SBPL 150 HV	115	117	16	48	80	G3/8"-F	G1"-F	G1/4"-F	G1/8"-F	M5-M	72
SBPL 150 HF NPT	115	117	16	48	80	NPT3/8"-F	NPT1-F	NPT1/4-F	G1/8"-F	M5-M	72
SBPL 150 HV NPT	115	117	16	48	80	NPT3/8"-F	NPT1-F	NPT1/4-F	G1/8"-F	M5-M	72

Type	H1 [mm]	L [mm]	L1 [mm]	L2 [mm]	L3 [mm]	L4 [mm]	L5 [mm]	LG5 [mm]	X1 [mm]	Y1 [mm]
SBPL 25 HF	74	168	285	54	67	113	64	8.5	74	62
SBPL 25 HV	74	168	285	54	67	113	64	8.5	74	62
SBPL 25 HF NPT	74	168	285	54	67	113	64	8.5	74	62
SBPL 25 HV NPT	74	168	285	54	67	113	64	8.5	74	62
SBPL 50 HF	74	168	285	54	67	113	64	8.5	74	62
SBPL 50 HV	74	168	285	54	67	113	64	8.5	74	62
SBPL 50 HF NPT	74	168	285	54	67	113	64	8.5	74	62
SBPL 50 HV NPT	74	168	285	54	67	113	64	8.5	74	62
SBPL 75 HF	74	168	285	54	67	113	64	8.5	74	62
SBPL 75 HV	74	168	285	54	67	113	64	8.5	74	62
SBPL 75 HF NPT	74	168	285	54	67	113	64	8.5	74	62
SBPL 75 HV NPT	74	168	285	54	67	113	64	8.5	74	62
SBPL 100 HF	74	168	285	54	67	113	64	8.5	74	62
SBPL 100 HV	74	168	285	54	67	113	64	8.5	74	62

## Basic Ejectors SBPL

Suction rate from 290 l/min to 1,140 l/min

Type	H1 [mm]	L [mm]	L1 [mm]	L2 [mm]	L3 [mm]	L4 [mm]	L5 [mm]	LG5 [mm]	X1 [mm]	Y1 [mm]
SBPL 100 HF NPT	74	168	285	54	67	113	64	8.5	74	62
SBPL 100 HV NPT	74	168	285	54	67	113	64	8.5	74	62
SBPL 125 HF	74	168	285	54	67	113	64	8.5	74	62
SBPL 125 HV	74	168	285	54	67	113	64	8.5	74	62
SBPL 125 HF NPT	74	168	285	54	67	113	64	8.5	74	62
SBPL 125 HV NPT	74	168	285	54	67	113	64	8.5	74	62
SBPL 150 HF	74	168	285	54	67	113	64	8.5	74	62
SBPL 150 HV	74	168	285	54	67	113	64	8.5	74	62
SBPL 150 HF NPT	74	168	285	54	67	113	64	8.5	74	62
SBPL 150 HV NPT	74	168	285	54	67	113	64	8.5	74	62

### Multimedia product presentation

Medium	Link
Product video	<a href="https://vimeo.com/156281943">https://vimeo.com/156281943</a> <a href="https://vimeo.com/156282377">https://vimeo.com/156282377</a> <a href="https://vimeo.com/153886362">https://vimeo.com/153886362</a>