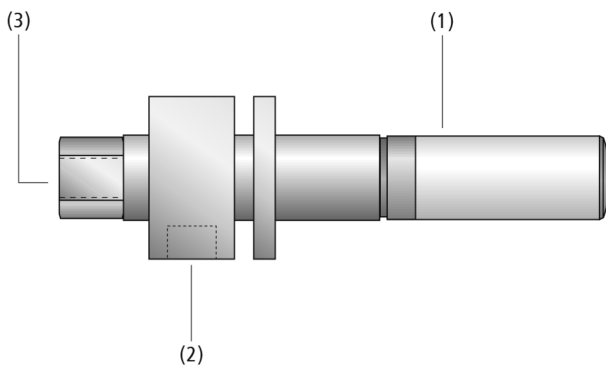


Basic Ejectors SEG

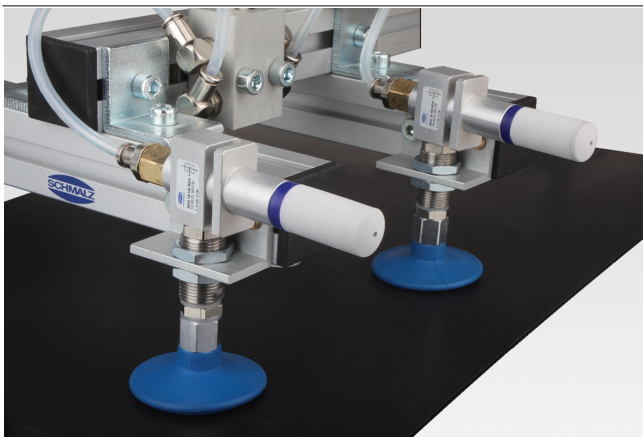
Suction rate from 7 l/min to 370 l/min



Basic Ejectors SEG



System Design Basic Ejectors SEG



Decentral vacuum generation with basic ejectors SEG when handling plastic parts

Suitability for Industry Specific Applications

Applications

- Basic ejector for universal use in vacuum systems
- Various handling tasks in the automotive, metal sheet, wood, assembly technology, food and packing industries

Design

- Main body made of anodized aluminum
- Nozzle system made of brass
- Plastic silencer (1)
- Vacuum connection (2)
- Compressed air connection (3)

Product Highlights

- Absolutely wear- and maintenance-free main body with Venturi nozzle and silencer (optional)
- Compact and lightweight aluminum design ideal for tight spaces and high dynamics, e.g. on manipulators, robots, feeder systems
- Ejector optimized for efficiency, saves compressed air and can be used in many different ways

Basic Ejectors SEG

Suction rate from 7 l/min to 370 l/min

Designation Code Basic Ejectors SEG

SEG	-	10	-	HS	-	SDA
1		2		3		4

1 – Abbreviated designation

Code	Version
SEG	SEG

2 – Nozzle size

Code	Diameter in mm
05...30	ø 0.5 to 3

3 – Design

Code	Type
HS	High speed (high vacuum)
HS-S	High speed and narrow design
LS	Low speed (high suction capacity)

4 – Variant

Code	Type
SDA	Silencer axial

The basic ejector SEG is delivered as a ready-to-connect product.

Available spare parts: silencer

Ordering Data Basic Ejectors SEG

Type	Part no.
SEG 05 HS-S	10.02.01.00272
SEG 05 HS-S SDA	10.02.01.00271
SEG 07 HS-S	10.02.01.00276
SEG 07 HS-S SDA	10.02.01.00275
SEG 07 HS	10.02.01.00255
SEG 07 HS SDA	10.02.01.00110
SEG 10 HS	10.02.01.00247
SEG 10 HS SDA	10.02.01.00111
SEG 15 HS	10.02.01.00248
SEG 15 HS SDA	10.02.01.00112
SEG 20 HS	10.02.01.00256
SEG 20 HS SDA	10.02.01.00113
SEG 20 LS	10.02.01.00252
SEG 20 LS SDA	10.02.01.00114
SEG 25 HS	10.02.01.00257
SEG 25 HS SDA	10.02.01.00115
SEG 25 LS	10.02.01.00259
SEG 25 LS SDA	10.02.01.00116
SEG 30 HS	10.02.01.00258
SEG 30 HS SDA	10.02.01.00117
SEG 30 LS	10.02.01.00260
SEG 30 LS SDA	10.02.01.00118

Basic Ejectors SEG

Suction rate from 7 l/min to 370 l/min

Ordering Data Spare Parts Basic Ejectors SEG

Type	Spare Parts		Part no.
SEG 05 HS-S SDA	Silencer (round)	SD M5-AG 9x24	10.02.01.00539
SEG 07 HS-S SDA	Silencer (round)	SD M5-AG 9x24	10.02.01.00539
SEG 07 HS SDA	Silencer (round)	SD G1/8-AG 14x40	10.02.01.00540
SEG 10 HS SDA	Silencer (round)	SD G1/8-AG 14x40	10.02.01.00540
SEG 15 HS SDA	Silencer (round)	SD G1/4-AG 20x46 SEG	10.02.01.00903
SEG 20 HS SDA	Silencer (round)	SD G3/8-AG 20x56 SEG	10.02.01.00905
SEG 20 LS SDA	Silencer (round)	SD G3/8-AG 20x56 SEG	10.02.01.00905
SEG 25 HS SDA	Silencer (round)	SD G1/2-AG 27x63 SEG	10.02.01.00907
SEG 25 LS SDA	Silencer (round)	SD G1/2-AG 27x63 SEG	10.02.01.00907
SEG 30 HS SDA	Silencer (round)	SD G3/4-AG 31x90 SEG	10.02.01.00909
SEG 30 LS SDA	Silencer (round)	SD G3/4-AG 31x90 SEG	10.02.01.00909

Basic Ejectors SEG

Suction rate from 7 l/min to 370 l/min

Technical Data Basic Ejectors SEG

Type	Nozzle diameter [mm]	Degree of evacuation [%]	Suction rate (max.) [l/min]	Suction rate (max.) [m ³ /h]	Air consumption suction [l/min]*	Air consumption suction [m ³ /h]	Pressure range (operating pressure) [bar]	Recomm. internal hose diameter compressed air [mm]**	Recomm. internal hose diameter vacuum [mm]***	Weight [g]	Operating temperature [°C]
SEG 05 HS-S	0.5	82	7	0.4	13	0.8	3.0 ... 6.0 bar	2	2	10	-10 ... 80 °C
SEG 05 HS-S SDA	0.5	82	7	0.4	13	0.8	3.0 ... 6.0 bar	2	2	11	-10 ... 80 °C
SEG 07 HS-S	0.7	82	16	1.0	21	1.3	3.0 ... 6.0 bar	2	2	10	-10 ... 80 °C
SEG 07 HS-S SDA	0.7	82	16	1.0	21	1.3	3.0 ... 6.0 bar	2	2	11	-10 ... 80 °C
SEG 07 HS	0.7	85	14	0.8	21	1.3	3.0 ... 6.0 bar	2	4	41	-10 ... 80 °C
SEG 07 HS SDA	0.7	85	14	0.8	21	1.3	3.0 ... 6.0 bar	2	4	45	-10 ... 80 °C
SEG 10 HS	1.0	85	34	2.0	49	2.9	3.0 ... 6.0 bar	2	4	46	-10 ... 80 °C
SEG 10 HS SDA	1.0	85	34	2.0	49	2.9	3.0 ... 6.0 bar	2	4	50	-10 ... 80 °C
SEG 15 HS	1.5	85	69	4.1	102	6.1	3.0 ... 6.0 bar	4	6	102	-10 ... 80 °C
SEG 15 HS SDA	1.5	85	69	4.1	102	6.1	3.0 ... 6.0 bar	4	6	110	-10 ... 80 °C
SEG 20 HS	2.0	85	124	7.4	186	11.2	3.0 ... 6.0 bar	4	9	118	-10 ... 80 °C
SEG 20 HS SDA	2.0	85	124	7.4	186	11.2	3.0 ... 6.0 bar	4	9	130	-10 ... 80 °C
SEG 20 LS	2.0	55	170	10.2	186	11.2	3.0 ... 6.0 bar	4	9	118	-10 ... 80 °C
SEG 20 LS SDA	2.0	55	170	10.2	186	11.2	3.0 ... 6.0 bar	4	9	130	-10 ... 80 °C
SEG 25 HS	2.5	85	184	11.0	275	16.5	3.0 ... 6.0 bar	6	12	273	-10 ... 80 °C
SEG 25 HS SDA	2.5	85	184	11.0	275	16.5	3.0 ... 6.0 bar	6	12	295	-10 ... 80 °C
SEG 25 LS	2.5	55	260	15.6	275	16.5	3.0 ... 6.0 bar	6	12	273	-10 ... 80 °C
SEG 25 LS SDA	2.5	55	260	15.6	275	16.5	3.0 ... 6.0 bar	6	12	295	-10 ... 80 °C
SEG 30 HS	3.0	85	240	14.4	392	23.5	3.0 ... 6.0 bar	6	12	352	-10 ... 80 °C
SEG 30 HS SDA	3.0	85	240	14.4	392	23.5	3.0 ... 6.0 bar	6	12	404	-10 ... 80 °C
SEG 30 LS	3.0	55	370	22.2	392	23.5	3.0 ... 6.0 bar	6	12	352	-10 ... 80 °C
SEG 30 LS SDA	3.0	55	370	22.2	392	23.5	3.0 ... 6.0 bar	6	12	404	-10 ... 80 °C

*At optimal operating pressure

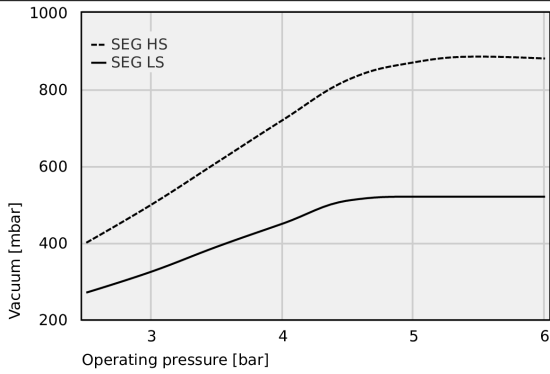
**For max. length 2 m

***For max. length 2 m

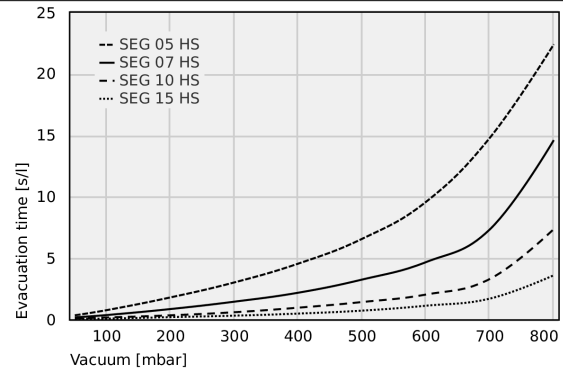
Basic Ejectors SEG

Suction rate from 7 l/min to 370 l/min

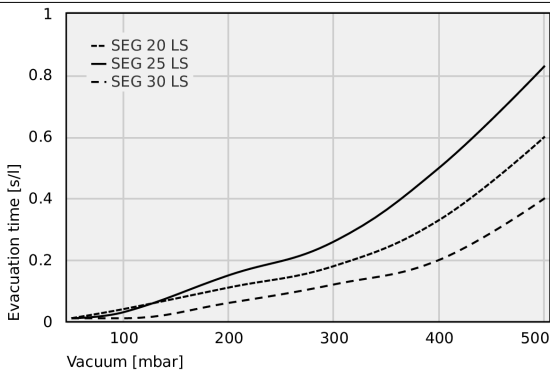
Performance Data Basic Ejectors SEG



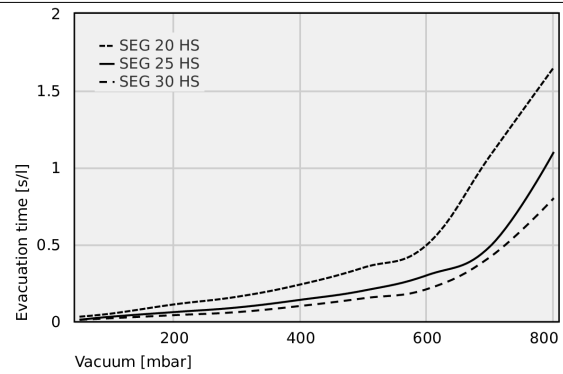
Achievable vacuum at various operating pressures



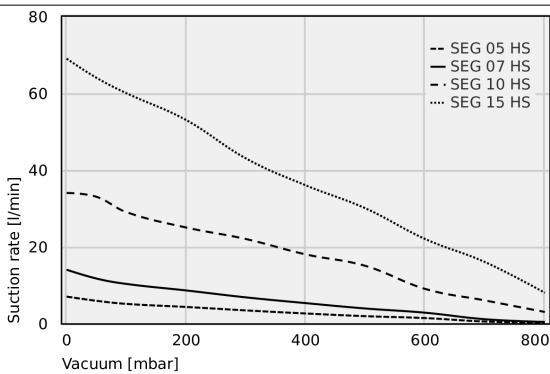
Evacuation times for various vacuum ranges [s/l]



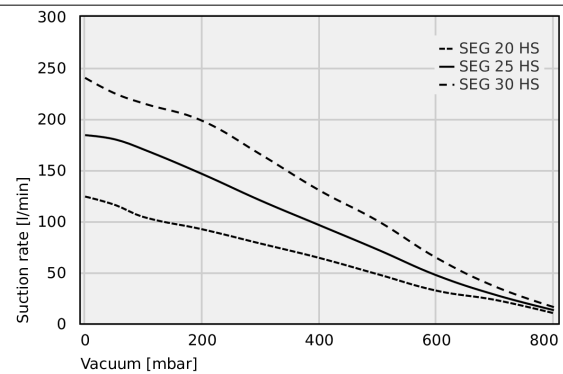
Evacuation times for various vacuum ranges [s/l]



Evacuation times for various vacuum ranges [s/l]



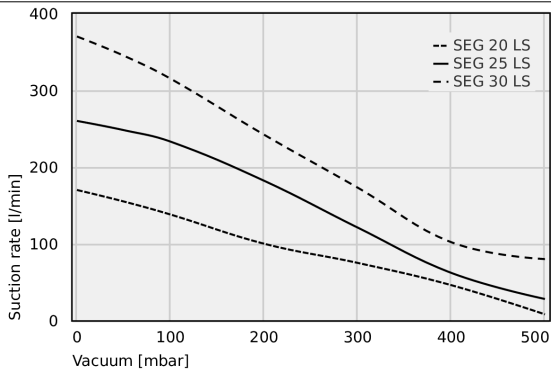
Suction capacity at various degrees of evacuation [l/min]



Suction capacity at various degrees of evacuation [l/min]

Basic Ejectors SEG

Suction rate from 7 l/min to 370 l/min



Suction capacity at various degrees of evacuation [l/min]

Achievable vacuum at various operating pressures

	2.5	3	3.5	4	4.5	5	5.5	6
SEG HS	400.00	500.00	610.00	720.00	825.00	870.00	885.00	880.00
SEG LS	270.00	325.00	390.00	450.00	510.00	520	520	520

Basic Ejectors SEG

Suction rate from 7 l/min to 370 l/min

Evacuation times for various vacuum ranges [s/l]

	50	100	200	300	400	500	600	700	800
SEG 05 HS	0.34	0.76	1.80	3.02	4.55	6.57	9.58	14.80	22.40
SEG 07 HS	0.17	0.36	0.85	1.45	2.18	3.25	4.67	7.34	14.60
SEG 10 HS	0.09	0.16	0.34	0.59	0.96	1.42	2.03	3.30	7.36
SEG 15 HS	0.05	0.07	0.19	0.31	0.48	0.72	1.12	1.70	3.60

	50	100	200	300	400	500
SEG 20 LS	0.01	0.04	0.11	0.18	0.33	0.6
SEG 25 LS	0.01	0.03	0.15	0.26	0.50	0.83
SEG 30 LS	0.01	0.01	0.06	0.12	0.2	0.4

	50	100	200	300	400	500	600	700	800
SEG 20 HS	0.03	0.05	0.11	0.16	0.24	0.35	0.50	1.08	1.65
SEG 25 HS	0.01	0.03	0.06	0.09	0.14	0.20	0.3	0.49	1.10
SEG 30 HS	0.01	0.02	0.04	0.06	0.10	0.15	0.21	0.42	0.80

Suction capacity at various degrees of evacuation [l/min]

	0	50	100	200	300	400	500	600	700	800
SEG 05 HS	7	5.9	5.1	4.3	3.4	2.6	1.9	1.4	0.5	0.2
SEG 07 HS	14	11.7	10.3	8.6	6.8	5.3	3.9	2.8	1.1	0.4
SEG 10 HS	34	33	29	25	22	18	15	9	6	3
SEG 15 HS	69	64	60	53	43	36	30	22	16	8

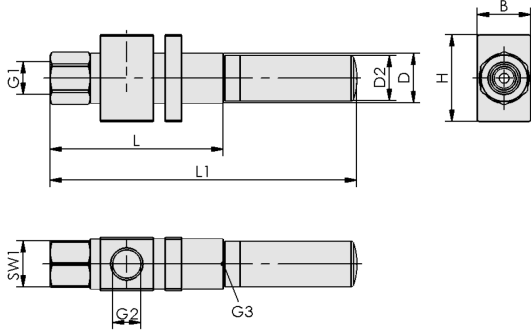
	0	50	100	200	300	400	500	600	700	800
SEG 20 HS	124	116	104	92	78	64	48	32	23	10
SEG 25 HS	184	180	170	146	120	96	72	47	28	13
SEG 30 HS	240	225	215	198	165	130	100	64	36	16

	0	50	100	200	300	400	500
SEG 20 LS	170	155	138	100	75	46	8
SEG 25 LS	260	248	233	182	121	62	28
SEG 30 LS	370	345	315	242	173	102	80

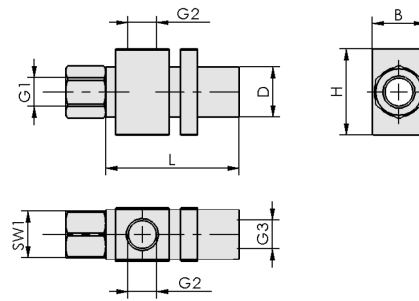
Basic Ejectors SEG

Suction rate from 7 l/min to 370 l/min

Design Data Basic Ejectors SEG



SEG SDA



SEG

Basic Ejectors SEG

Suction rate from 7 l/min to 370 l/min

Design Data Basic Ejectors SEG

Type	B [mm]	D [mm]	D2 [mm]	G1	G2	G3	H [mm]	L [mm]	L1 [mm]	SW1 [mm]
SEG 05 HS-S	10	8.0	-	M5-F	M5-F	M5-F	20	41	-	8
SEG 05 HS-S SDA	10	8.0	9	M5-F	M5-F	M5-F	20	41	65	8
SEG 07 HS-S	10	8.0	-	M5-F	M5-F	M5-F	20	40	-	8
SEG 07 HS-S SDA	10	8.0	9	M5-F	M5-F	M5-F	20	40	65	8
SEG 07 HS	16	15.0	-	G1/8"-F	G1/8"-F	G1/8"-F	26	52	-	14
SEG 07 HS SDA	16	15.0	15	G1/8"-F	G1/8"-F	G1/8"-F	26	52	92	14
SEG 10 HS	16	15.0	-	G1/8"-F	G1/8"-F	G1/8"-F	26	57	-	14
SEG 10 HS SDA	16	15.0	15	G1/8"-F	G1/8"-F	G1/8"-F	26	57	97	14
SEG 15 HS	22	20.0	-	G1/4"-F	G1/4"-F	G1/4"-F	38	75	-	17
SEG 15 HS SDA	22	20.0	20	G1/4"-F	G1/4"-F	G1/4"-F	38	75	121	17
SEG 20 HS	26	20.0	-	G1/4"-F	G1/4"-F	G3/8"-F	38	90	-	17
SEG 20 HS SDA	26	20.0	20	G1/4"-F	G1/4"-F	G3/8"-F	38	90	146	17
SEG 20 LS	26	20.0	-	G1/4"-F	G1/4"-F	G3/8"-F	38	90	-	17
SEG 20 LS SDA	26	20.0	20	G1/4"-F	G1/4"-F	G3/8"-F	38	90	146	17
SEG 25 HS	32	28.0	-	G3/8"-F	G1/2"-F	G1/2"-F	50	117	-	22
SEG 25 HS SDA	32	28.0	28	G3/8"-F	G1/2"-F	G1/2"-F	50	117	180	22
SEG 25 LS	32	28.0	-	G3/8"-F	G1/2"-F	G1/2"-F	50	117	-	22
SEG 25 LS SDA	32	28.0	28	G3/8"-F	G1/2"-F	G1/2"-F	50	117	180	22
SEG 30 HS	42	32.0	-	G3/8"-F	G1/2"-F	G3/4"-F	50	127	-	22
SEG 30 HS SDA	42	32.0	32	G3/8"-F	G1/2"-F	G3/4"-F	50	127	217	22
SEG 30 LS	42	32.0	-	G3/8"-F	G1/2"-F	G3/4"-F	50	127	-	22
SEG 30 LS SDA	42	32.0	32	G3/8"-F	G1/2"-F	G3/4"-F	50	127	217	22