

## Basic Holding Fixture BHF

Compatible with flat tables and Innospann Steel-Plate



Basic Holding Fixture BHF



System design Basic Holding Fixture BHF



Uni-Base UB and reference suction cup RSC for clamping a CFRP part

### Suitability for industry specific applications

#### Applications

- Basic Holding Fixture BHF for use with CNC laser and milling processes in the woodworking, metal, plastics and fiber composite industry
- Manual processing and finishing of components, for example during sawing, drilling or sanding processes
- System consisting of various suction cups and the Schmalz Uni-Base as interface to the machine table and for setting the degrees of freedom
- Use on flat tables or other machine table types in combination with the Schmalz Steel-Plate
- Flexible manual adjustment of stroke and swivel angle
- High degree of freedom on every axis and easy to adjust

#### Design

- Suction cups (1) in various shapes for optimum adaptability
- Easy adjustment of the angle of inclination by means of ball joint (2) on the Uni-Base UB
- Star grip (3) for precise height adjustment, securely fixed using the clamping lever
- Compressed air connection (4) for the supply of clampable suction elements
- Simple to position and pre-fasten using the magnetic base plate (5)

#### Product highlights

- Any workpiece contour possible, as the height and angle of the Uni-Base is freely adjustable
- Can be used with other clamping devices from Schmalz through use on Innospann Steel-Plate
- Various suction cups allow optimal adaptation to the workpiece and the surrounding process

## Basic Holding Fixture BHF

Compatible with flat tables and Innospann Steel-Plate

### Designation code Basic Holding Fixture BHF

#### Module 1: Uni-Base

<b>UB</b>	-	<b>135x135x156</b>	-	<b>29.5</b>	-	<b>15</b>	-	<b>G</b>
<b>1</b>		<b>2</b>		<b>3</b>		<b>4</b>		<b>5</b>

##### 1 – Abbreviated designation

Code	Type
UB	Vacuum block mounting Uni-Base

##### 2 – Dimensions

Code	LxWxH in mm
135x135x156	135x135x156

##### 3 – Stroke

Code	Stroke in mm
29.5	29.5

##### 4 – Swivel angle

Code	Type
15	15°

##### 5 – Product addition

Code	Type
G	For flat table
ISST	For Steel-Plate

#### Module 2: Suction-Cup

<b>ISCUP</b>	-	<b>Cup 1</b>	-	<b>80x80</b>	-	<b>x30</b>	-	<b>TV</b>
<b>1</b>		<b>2</b>		<b>3</b>		<b>4</b>		<b>5</b>

##### 1 – Abbreviated designation

Code	Type
ISCUP	Top part of the suction cups for UB

##### 2 – Version

Code	Type
CUP 1...4	Cup 1 to 4

##### 3 – Suction area

Code	LxW in mm
80x28... 100x100	80x28 to 100x100

##### 4 – Height

Code	Height in mm
x16...x30	16 and 30

##### 5 – Product addition

Code	Type
TV	With touch valve

<b>SSPB</b>	-	<b>117</b>	-	<b>117-125</b>	-	<b>NBR</b>
<b>1</b>		<b>2</b>		<b>3</b>		<b>4</b>

##### 1 – Abbreviated designation

Code	Type
SSPB	Suction plate Balance

##### 2 – Dimensions

Code	Diameter in mm
-117	ø 117

##### 3 – Application

Code	Insert height from recording in mm
117-125	117 to 125

##### 4 – Material sealing

Code	Type
NBR	Nitrile caoutchuc

The Basic Holding Fixture BHF clamping system from Schmalz is not supplied assembled. The system consists of several components which are ordered independently of each other:

- Uni-Base UB suitable for Schmalz Steel-Plate ISST-MPL or for a flat table
- Innospann Vacuum Cups ISCUP
- Schmalz Balance SSPB suction plate with matching Innospann mounting







Available accessories: Reference suction cup

## Basic Holding Fixture BHF

Compatible with flat tables and Innospann Steel-Plate

### Ordering data Basic Holding Fixture BHF

Type	Part no.
UB 135x135x156 29.5 15 G	10.01.15.00571
UB 135x135x156 29.5 15 ISST	10.01.15.00564

Type	Part no.
ISCUP Cup 1 80x80x16	10.01.15.00209 
ISCUP Cup 2 80x40x16	10.01.15.00210 
ISCUP Cup 3 80x28x16	10.01.15.00211 
ISCUP Cup 1 80x80x30	10.01.15.00003 
ISCUP Cup 2 80x40x30	10.01.15.00004 
ISCUP Cup 3 80x28x30	10.01.15.00005 
ISCUP Cup 1 80x80x30 TV	10.01.15.00303
ISCUP Cup 2 80x40x30 TV	10.01.15.00305
ISCUP Cup 4 100x100x30	10.01.15.00403
ISCUP Cup 4 100x100x30 TV	10.01.15.00405

Type	Part no.
SSPB-117 117-125 NBR	10.01.15.00719

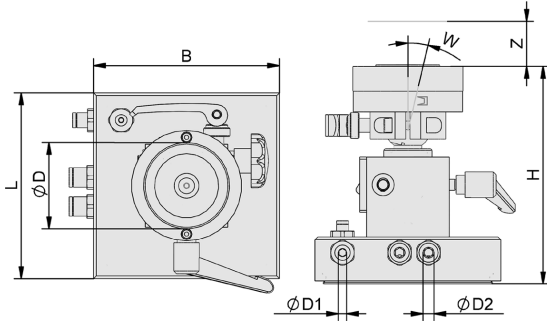
### Ordering data Accessories Basic Holding Fixture BHF

Type	Part no.
Referenz Suction-Cup	RSC 85x120-VU1-40-IS-BHF 10.01.15.00587

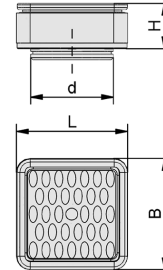
# Basic Holding Fixture BHF

Compatible with flat tables and Innospann Steel-Plate

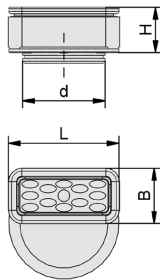
Design data Basic Holding Fixture BHF



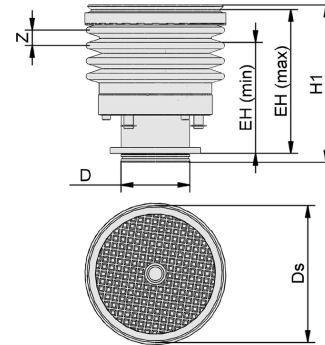
UB



ISCUP Cup 1, ISCUP Cup 4



ISCUP Cup 2, ISCUP Cup 3



SSPB

## Basic Holding Fixture BHF

Compatible with flat tables and Innospann Steel-Plate

### Design data Basic Holding Fixture BHF

Type	B [mm]	D [mm]	D1 [mm]	D2 [mm]	H [mm]	L [mm]	W [°]	Z (Stroke)
UB 135x135x156 29.5 15 G	135	61	6	8	156	135	15	29.5
UB 135x135x156 29.5 15 ISST	135	61	6	8	156	135	15	29.5

Type	B [mm]	d [mm]	H [mm]	L [mm]
ISCUP Cup 1 80x80x16	80	60	16	80
ISCUP Cup 2 80x40x16	40	60	16	80
ISCUP Cup 3 80x28x16	28	60	16	80
ISCUP Cup 1 80x80x30	80	60	30	80
ISCUP Cup 2 80x40x30	40	60	30	80
ISCUP Cup 3 80x28x30	28	60	30	80
ISCUP Cup 1 80x80x30 TV	80	60	30	80
ISCUP Cup 2 80x40x30 TV	40	60	30	80
ISCUP Cup 4 100x100x30	100	60	30	100
ISCUP Cup 4 100x100x30 TV	100	60	30	100

Type	D [mm]	Ds [mm]	EH (min) [mm]	EH (max) [mm]	H1 [mm]	Z (Stroke) [mm]
SSPB-117 117-125 NBR	60	117	117	125	137	8

### Multimedia product presentation

Medium	Link
Product video	<a href="https://vimeo.com/147459382">https://vimeo.com/147459382</a>