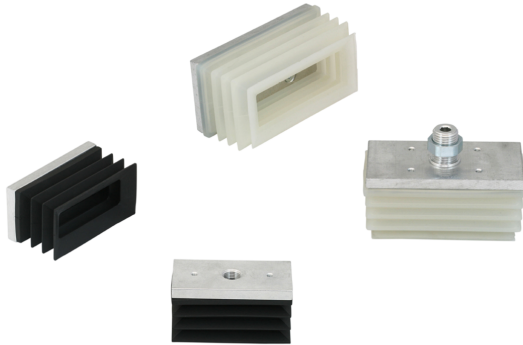
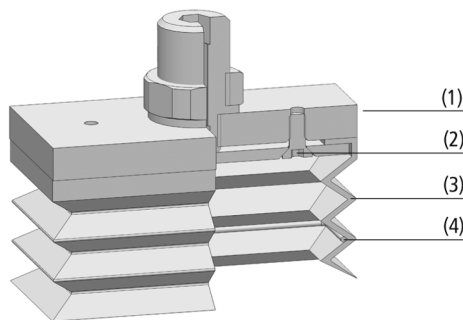


Bellows Suction Cups FSGB-R (Rectangular)

Suction area (LxW) from 52 x 25 mm to 80 x 50 mm



Bellows Suction Cups FSGB-R (Rectangular)



System Design Bellows Suction Cups FSGB-R (Rectangular)



Bellows suction cups FSGB-R being used for handling of packing materials

Suitability for Industry Specific Applications

Applications

- Rectangular bellows suction cups with 2.5 or 3.5 folds for handling of rectangular packing materials with non-uniform surfaces
- Handling of film-packed products, filled bags and bag packaging; workpieces with folds
- Handling of non-rigid workpieces and flexible outer packing materials which can be deformed during handling
- Use of supporting frame in variable numbers depending on application

Design

- Rectangular bellows suction cup FSGB-R with single sealing lip, consisting of suction cup FGB-R (3) and connection plates (1)
- FSGB-R 52x25 and FSGB-R 60x29 with 2.5 folds; FSGB-R 80x30, FSGB-R80x40 and FSGB-R 80x50 with 3.5 folds
- Very adaptable geometry and soft, flexible sealing lip
- Suction cup is securely clamped between connection plates; screw connection (2) on suction side, so that replacement suction cup can be easily changed in installation position
- Accessories support frame (4) with cross braces can optionally be mounted in the folds; in this case, only individual folds can also be provided with a support frame

Product Highlights

- Large, rectangular suction area optimized for rectangular workpieces
- Soft, flexible folds adapt to uneven surfaces and non-rigid workpieces
- Soft, adaptable sealing lip for optimum sealing on structured and creased workpieces
- Optional support frame increases the stability of the suction cup

Bellows Suction Cups FSGB-R (Rectangular)

Suction area (LxW) from 52 x 25 mm to 80 x 50 mm

Designation Code Bellows Suction Cups FSGB-R (Rectangular)

FSGB-R	–	60x29	–	NBR-50	–	G1/8-IG
1		2		3		4

1 – Abbreviated designation

Code	Version
FSGB-R (52x25...60x29)	2.5 folds, rectangular
FSGB-R (80x30...80x50)	3.5 folds, rectangular

2 – Suction area

Code	LxW in mm
52x25...80x50	52x25 to 80x50

3 – Material

Code	Material
NBR-50	Nitrile caoutchuc
SI-50	Silicone

4 – Connection

Code	Connection
G1/8-IG	G1/8-IG (IG = female (F))
G1/4-AG	G1/4-AG (AG = male (M))

Suction cup FSGB-R (elastomer part + connection plate) is delivered assembled. The assembly consists of:

- Suction cup of type FGB-R – elastomer part, available in various dimensions (LxW) and materials
- Aluminium support plate – available with various threads

Available spare parts: suction cup FGB-R

Available accessories: supporting frames