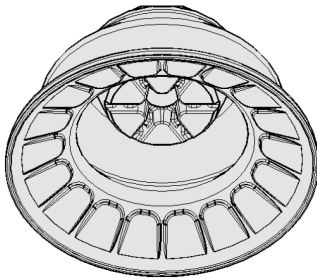


Bellows Suction Cups SAB HT2 (1.5 Folds)

Suction area (\varnothing) from 22 mm to 80 mm



Bellows Suction Cups SAB HT2 (1.5 Folds)



System Design Bellows Suction Cups SAB HT2 (1.5 Folds)



Bellows suction cups SAB HT2 being used for handling formed sheet metal parts

Suitability for Industry Specific Applications

Applications

- Round bellows suction cup with 1.5 folds for dynamic handling of hot metal sheets up to 250 °C
- Handling of pre-shaped metal sheet parts, since bellows shape permits optimum adaptation
- Unloading of parts after forming
- Handling of thin aluminum sheets without deformation or deep drawing
- For use e.g. in feeder systems for press lines in the automotive industry

Design

- Robust and wear-resistant bellows suction cup SAB made of HT2 with 1.5 folds and special inner support
- Connection nipple vulcanized to elastomer part (for very high strength)

Product Highlights

- Silicone-free special material HT2 is free of LABS and temperature resistant up to 250 °C
- Large, structured inner support prevents deep drawing and withstands the highest lateral forces
- Soft, flexible sealing lip seals optimally, even on slight unevenness
- 1.5 folds adapt optimally to curved workpieces and offer very good damping

Bellows Suction Cups SAB HT2 (1.5 Folds)

Suction area (Ø) from 22 mm to 80 mm

Designation Code Bellows Suction Cups SAB HT2 (1.5 Folds)

SAB	-	30	-	HT2-65	-	G1/4-AG
1		2		3		4

1 – Abbreviated designation

Code	Version
SAB	1.5 folds

2 – Suction area

Code	Diameter in mm
22...80	ø 22 to 80

3 – Material

Code	Material
HT2-65	High temperature material

4 – Connection

Code	Connection
G1/4-AG	G1/4-AG (AG = male (M))
G1/4-IG	G1/4-IG (IG = female (F))
G3/8-IG	G3/8-IG

Suction cup SAB HT2, available in various diameters, is delivered with connection nipple vulcanized to elastomer part.

Ordering Data Bellows Suction Cups SAB HT2 (1.5 Folds)

Type		Vacuum connection:		
		G1/4"-M	G1/4"-F	G3/8"-F
SAB	22	10.01.06.02420	10.01.06.02419	10.01.06.02421
SAB	30	10.01.06.02424	10.01.06.02423	10.01.06.02425
SAB	40	10.01.06.02428	10.01.06.02427	10.01.06.02429
SAB	50	10.01.06.03452	10.01.06.03451	10.01.06.03401
SAB	60	10.01.06.03450	10.01.06.03449	10.01.06.03354
SAB	80	10.01.06.03357	10.01.06.03356	10.01.06.03318

Technical Data Bellows Suction Cups SAB HT2 (1.5 Folds)

Type		Suction force (-600 mbar) [N]*	Pull-off force [N]	Lateral force [N]**	Volume [cm ³]	Workpiece radius min. (convex) [mm]	Hose diameter (recom.) d [mm]***
SAB	22	16	24	17	1.5	20	4
SAB	30	22	33	29	5.6	40	4
SAB	40	38	59	34	7.0	40	4
SAB	50	53	91	102	18.9	25	6
SAB	60	82	136	126	32.0	30	6
SAB	80	135	238	217	75.4	40	6

*The specified suction forces are theoretical values at a vacuum of -0.6 bar and with a smooth, dry workpiece surface - they do not include a safety factor

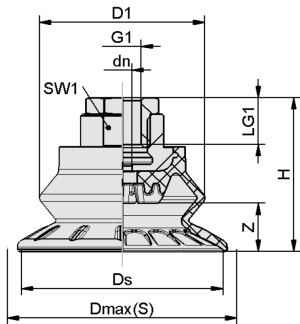
**The specified lateral forces are values measured at a vacuum of -0.6 bar with a dry, smooth, flat workpiece surface. Depending on the workpiece surface and its quality, the actual values may deviate from these values.

***The recommended hose diameter is based on a hose length of approx. 2 m

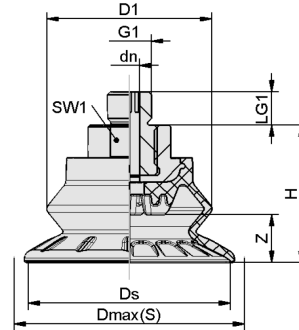
Bellows Suction Cups SAB HT2 (1.5 Folds)

Suction area (\emptyset) from 22 mm to 80 mm

Design Data Bellows Suction Cups SAB HT2 (1.5 Folds)



SAB HT2 IG



SAB HT2 AG

Bellows Suction Cups SAB HT2 (1.5 Folds)

Suction area (Ø) from 22 mm to 80 mm

Design Data Bellows Suction Cups SAB HT2 (1.5 Folds)

Type*	dn [mm]	D1 [mm]	Dmax(S) [mm]**	Ds [mm]	G1	H [mm]	LG1 [mm]	SW1 [mm]	Z (Stroke) [mm]
SAB 22 HT2-65 G1/4-AG	3.5	22	24	21	G1/4"-M	25.0	10.0	16	5.8
SAB 22 HT2-65 G1/4-IG	3.5	22	24	21	G1/4"-F	25.0	12.0	16	5.8
SAB 22 HT2-65 G3/8-IG	3.5	22	24	21	G3/8"-F	41.0	9.5	22	5.8
SAB 30 HT2-65 G1/4-AG	4.0	32	34	31	G1/4"-M	28.0	10.0	17	9.0
SAB 30 HT2-65 G1/4-IG	4.0	32	34	31	G1/4"-F	28.0	12.0	17	9.0
SAB 30 HT2-65 G3/8-IG	4.0	32	34	31	G3/8"-F	44.0	9.5	22	9.0
SAB 40 HT2-65 G1/4-AG	4.0	32	45	41	G1/4"-M	29.0	10.0	17	10.0
SAB 40 HT2-65 G1/4-IG	4.0	32	45	41	G1/4"-F	29.0	12.0	17	10.0
SAB 40 HT2-65 G3/8-IG	4.0	32	45	41	G3/8"-F	44.0	9.5	22	10.0
SAB 50 HT2-65 G1/4-AG	6.0	43	56	51	G1/4"-M	36.9	10.0	22	11.5
SAB 50 HT2-65 G1/4-IG	6.0	43	56	51	G1/4"-F	41.9	20.0	22	11.5
SAB 50 HT2-65 G3/8-IG	6.0	43	56	51	G3/8"-F	36.9	15.0	22	11.5
SAB 60 HT2-65 G1/4-AG	6.0	50	67	62	G1/4"-M	41.3	10.0	22	14.5
SAB 60 HT2-65 G1/4-IG	6.0	50	67	62	G1/4"-F	46.3	20.0	22	14.5
SAB 60 HT2-65 G3/8-IG	6.0	50	67	62	G3/8"-F	41.3	15.0	22	14.5
SAB 80 HT2-65 G1/4-AG	6.0	65	88	82	G1/4"-M	49.8	10.0	22	22.0
SAB 80 HT2-65 G1/4-IG	6.0	65	88	82	G1/4"-F	54.8	15.0	22	22.0
SAB 80 HT2-65 G3/8-IG	6.0	65	88	82	G3/8"-F	49.8	15.0	22	22.0

*Acceptable dimensional tolerances for rubber parts concerning to DIN ISO 3302-1 E3

**External dimension of the suction cup when it is pressed against the workpiece by the vacuum