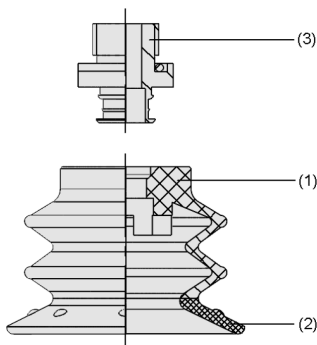


Bellows Suction Cups SDC2

Suction area (Ø) from 20 mm to 100 mm



Bellows Suction Cups SDC2



System Design Bellows Suction Cups SDC2



Bellows suction cups SDC2 for handling lightly structured components

Suitability for Industry Specific Applications

Applications

- Bellows suction cup for handling workpieces with rough and uneven surfaces
- Handling of plywood panels and wooden veneers
- Pick & place applications of structured plastic parts

Design

- Round bellows suction cup with sturdy bellows (1) and soft, flexible sealing lip (2)
- Polyurethane suction cup in two different material hardnesses (PU-30/60)
- Available as assembled suction cup with different connection types (3)

Product Highlights

- Bellows suction cup in different material hardnesses combine stable bellows for high accelerations with soft sealing lip for optimum adaptability
- Good adaptation to structured workpiece contours due to soft sealing lip and suction cup stroke
- Flexible sealing lip adapts to rough workpiece surfaces

Designation Code Bellows Suction Cups SDC2

Bellows Suction Cups SDC2

Suction area (Ø) from 20 mm to 100 mm

SDC2	-	20	-	PU-30/60	-	G1/8-AG
1		2		3		4

1 – Abbreviated designation

Code	Version
SDC2	2.5 folds

2 – Suction area

Code	Diameter in mm
20...100	ø 20 to 100

3 – Material and Shore hardness

Code	Material
PU-30/60	PU-30/60

4 – Connection

Code	Connection
G1/8-AG	G1/8-AG (AG = male (M))
G1/4-AG	G1/4-AG
G3/8-AG	G3/8-AG

The suction cup SDC2 , available in various diameters, is supplied with the connection nipple assembled.

 **Ordering Data Bellows Suction Cups SDC2**

Type	Vacuum connection:		
	G3/8"-M	G1/8"-M	G1/4"-M
- 75	10.01.06.05528	-	-
- 100	10.01.06.05529	-	-
- 20	-	10.01.06.05531	-
- 30	-	10.01.06.05532	-
- 40	-	-	10.01.06.05533
- 50	10.01.06.05534	-	10.01.06.05751
- 60	10.01.06.05535	-	10.01.06.05752

 **Ordering Data Spare Parts Bellows Suction Cups SDC2**

Type	Spare Parts			Part no.
- 20	PU-30	Bellows suction cup 2C (round)	SDC2 20 PU 30/60 N042	10.01.06.03365
- 30	PU-30	Bellows suction cup 2C (round)	SDC2 30 PU 30/60 N042	10.01.06.03366
- 40	PU-30	Bellows suction cup 2C (round)	SDC2 40 PU 30/60 N043	10.01.06.03367
- 50	PU-30	Bellows suction cup 2C (round)	SDC2 50 PU 30/60 N044	10.01.06.03368
- 60	PU-30	Bellows suction cup 2C (round)	SDC2 60 PU 30/60 N044	10.01.06.05527
- 75	PU-30	-	-	-
- 100	PU-30	-	-	-

Type	Spare Parts			Part no.
- 20	G1/8"-M	Suction cup connection nipple	SA-NIP N042 G1/8-AG DN400	10.01.06.03370
- 30	G1/8"-M	Suction cup connection nipple	SA-NIP N042 G1/8-AG DN400	10.01.06.03370
- 40	G1/4"-M	Suction cup connection nipple	SA-NIP N043 G1/4-AG DN500	10.01.06.03371
- 50	G3/8"-M	Suction cup connection nipple	SA-NIP N044 G3/8-AG DN800	10.01.06.03372
- 50	G1/4"-M	Suction cup connection nipple	SA-NIP N044 G1/4-AG DN800	10.01.06.05750
- 60	G3/8"-M	Suction cup connection nipple	SA-NIP N044 G3/8-AG DN800	10.01.06.03372
- 60	G1/4"-M	Suction cup connection nipple	SA-NIP N044 G1/4-AG DN800	10.01.06.05750
- 75	G3/8"-M	-	-	-
- 100	G3/8"-M	-	-	-

Bellows Suction Cups SDC2

Suction area (Ø) from 20 mm to 100 mm

Technical Data Bellows Suction Cups SDC2

Type		Suction force (-600 mbar) [N]*	Pull-off force [N]	Volume [cm³]	Workpiece radius min. (convex) [mm]	Hose diameter (recom.) d [mm]**
-	20	6.2	15.0	1.5	10	6
-	30	9.8	22.5	4.5	13	6
-	40	13.6	50.0	9.7	15	6
-	50	22.6	72.0	19.5	20	9
-	60	35.6	75.0	34.0	25	9
-	75	57.0	110.0	74.5	33	12
-	100	81.6	167.0	138.5	55	12

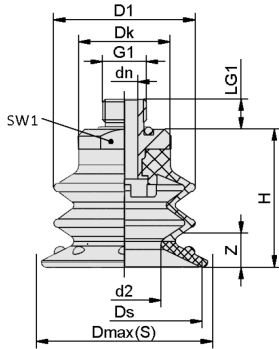
*The specified suction forces are theoretical values at a vacuum of -0.6 bar and with a smooth, dry workpiece surface - they do not include a safety factor

**The recommended hose diameter is based on a hose length of approx. 2 m

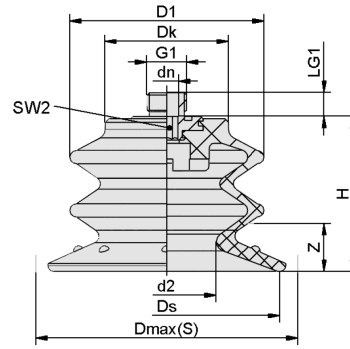
Bellows Suction Cups SDC2

Suction area (\emptyset) from 20 mm to 100 mm

Design Data Bellows Suction Cups SDC2



SDC2 20...60 AG



SDC2 75...100 AG

Bellows Suction Cups SDC2

Suction area (Ø) from 20 mm to 100 mm

Design Data Bellows Suction Cups SDC2

Type	d2 [mm]	dn [mm]	D1 [mm]	Dk [mm]	Dmax(S) [mm]	Ds [mm]	G1	H [mm]	H3 [mm]	LG1 [mm]	SW1 [mm]	SW2 [mm]	Z (Stroke) [mm]
SDC2 20 PU 30/60 G1/8- AG	11.5	4.0	20.0	12.0	22	21.0	G1/8"-M	14.5	6.5	7.5	13	-	7.5
SDC2 30 PU 30/60 G1/8- AG	14.4	4.0	25.5	16.5	32	28.0	G1/8"-M	21.3	8.6	7.5	13	-	10.5
SDC2 40 PU 30/60 G1/4- AG	17.0	5.0	34.0	22.0	42	40.0	G1/4"-M	28.4	11.5	9.0	19	-	14.0
SDC2 50 PU 30/60 G3/8- AG	21.9	8.0	42.5	27.5	52	50.0	G3/8"-M	41.5	14.4	10.0	24	-	16.0
SDC2 50 PU 30/60 G1/4- AG	21.9	8.0	42.5	27.5	52	50.0	G1/4"-M	41.5	14.4	10.0	24	-	16.0
SDC2 60 PU 30/60 G3/8- AG	27.5	8.0	51.0	32.7	62	55.0	G3/8"-M	48.2	17.3	10.0	24	-	18.5
SDC2 60 PU 30/60 G1/4- AG	27.5	8.0	51.0	32.7	62	55.0	G1/4"-M	48.2	17.3	10.0	24	-	18.5
SDC2 75 PU 30/60 G3/8- AG	34.8	9.8	66.3	43.0	77	73.6	G3/8"-M	50.7	17.5	10.0	-	8	25.0
SDC2 100 PU 30/60 G3/8-AG	41.6	9.8	81.6	51.9	102	93.3	G3/8"-M	65.3	22.9	10.0	-	8	32.0