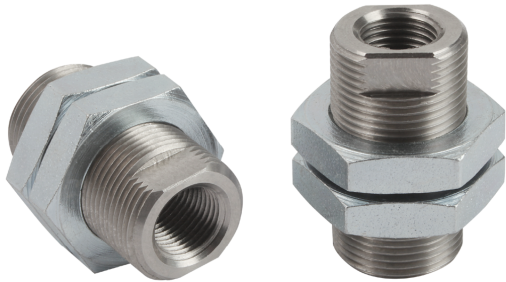
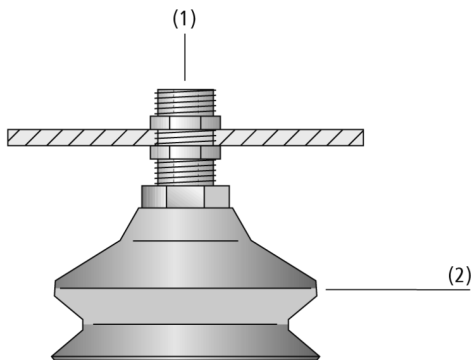


## Bulkhead Connectors SVS-GE

Suction cup connection G1/8" and G1/4"



Bulkhead Connectors SVS-GE



System Design Bulkhead Connectors SVS-GE



Mounting example bulkhead connectors SVS-GE

### Suitability for Industry Specific Applications

#### Applications

- Bulkhead connector for mounting of suction cups
- Adaptation of push-in fittings for the hose connection

#### Design

- Stainless steel sleeve with male and female threads
- Two locking (galvanized) nuts included
- Flats for spanner on male thread
- Vacuum connection (1) by plug-in union (not included in delivery), see chapter "Filters and Connections"
- Suitable suction cups (2) can be found in section "Vacuum Suction Cups"

#### Product Highlights

- All suction cups and nipples with G1/8"-AG and G1/4"-AG threads can be screwed in
- Male thread over the entire height enables fine adjustment when installing the suction cup
- Required lock nuts included in the scope of delivery
- Stable and rustproof thanks to stainless steel

## Bulkhead Connectors SVS-GE

Suction cup connection G1/8" and G1/4"

### Designation Code Bulkhead Connectors SVS-GE

SVS-GE	–	M16x1-AG	–	G1/8-IG	–	30
1		2		3		4

#### 1 – Abbreviated designation

Code	Version
SVS-GE	SVS-GE

#### 2 – Male thread

Code	Thread
M16x1-AG	M16x1-AG (AG = male (M))
M20x1.5-AG	M20x1.5-AG

#### 3 – Connection

Code	Connection
G1/8-IG	G1/8-IG (IG = female (F))
G1/4-IG	G1/4-IG

#### 4 – Length

Code	Length in mm
30	30

Bulkhead connector SVS-GE is delivered as a ready-to-connect product, including two locking nuts.

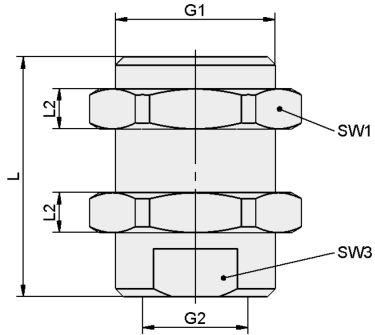
### Ordering Data Bulkhead Connectors SVS-GE

Type	Part no.
SVS-GE M16x1-AG G1/8-IG 30	10.08.03.00181
SVS-GE M20x1.5-AG G1/4-IG 30	10.08.03.00180

## Bulkhead Connectors SVS-GE

Suction cup connection G1/8" and G1/4"

### Design Data Bulkhead Connectors SVS-GE



SVS-GE

## Bulkhead Connectors SVS-GE

Suction cup connection G1/8" and G1/4"

### Design Data Bulkhead Connectors SVS-GE

Type	G1	G2	L [mm]	L2 [mm]	SW1 [mm]	SW3 [mm]
SVS-GE M16x1-AG G1/8-IG 30	M16x1-M	G1/8"-F	30	5	22	13
SVS-GE M20x1.5-AG G1/4-IG 30	M20x1.5-M	G1/4"-F	30	5	24	17