

Clamping Pieces with Extension SXT-CL-EXT

Pipe clamps 19, 25 and 40 mm, ball clamps 28.5 and 32 mm



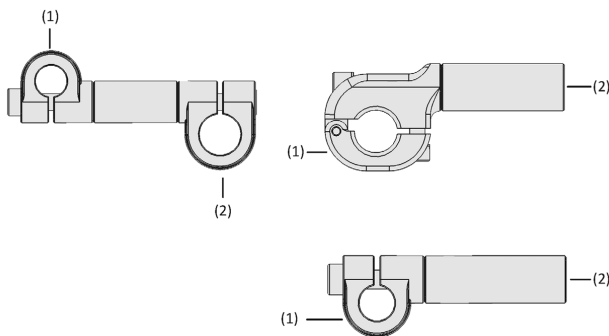
Suitability for Industry Specific Applications

Applications

- Swivel arms for connecting suction cup holders to the cross beams of round tube toolings
- Wide range of uses for numerous applications
- Suitable for all common tooling and quick-change systems for press shops and car body construction
- For highly dynamic processes with maximum output in the automotive industry



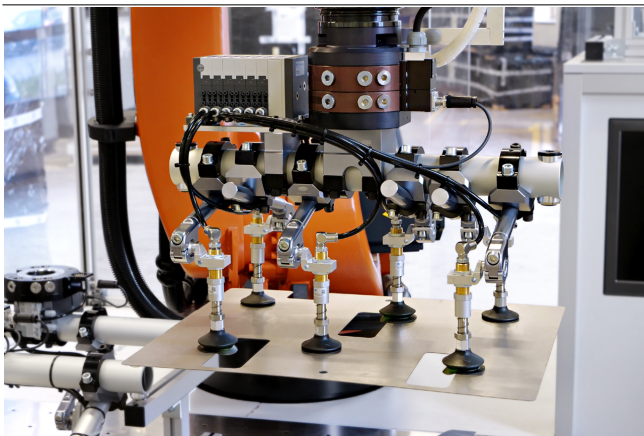
Clamping Pieces with Extension SXT-CL-EXT



Design

- Connection to holder system: clamp for ball (A3: \varnothing 28.5 mm; A5: \varnothing 32 mm) or "Apple-Core" pin (A2: \varnothing 19 mm) (1)
- Pipe tooling connection: pipe clamp 25 or 40 mm (2)
- One-sided pipe clamp: tube extension with a 25 mm diameter (2)

System Design Clamping Pieces with Extension SXT-CL-EXT



Clamping pieces with extension SXT-CL-EXT in combination with suction cups for handling sheet metal parts

Product Highlights

- High-strength swivel arms with pipe and ball clamps on one or both sides for highly dynamic processes with maximum output quantity
- Holder connection for standardized ball or pin shape enables a wide range of applications
- Compatible with common tooling systems (pipe diameter 25 mm or via pipe clamp)

Clamping Pieces with Extension SXT-CL-EXT

Pipe clamps 19, 25 and 40 mm, ball clamps 28.5 and 32 mm

Designation Code Clamping Pieces with Extension SXT-CL-EXT

SXT-CL-EXT	–	D25	–	100	–	F25
1		2		3		4

1 – Abbreviated designation

Code	Type
SXT-CL-EXT	Swivel arm with extension

2 – Connection 1

Code	Clamp diameter in mm
A2	ø 19, pin
A3	ø 28.5, ball
A5	ø 32, ball
D25	ø 25
D40	ø 40

3 – Length

Code	Length in mm
100...610	100.5 to 610.1

4 – Connection 2

Code	Diameter in mm
F25	ø 25, clamp
F40	ø 40, clamp
T25	ø 25, pipe

Clamps with extension SXT-CL-EXT are delivered as a ready-to-connect product.

Clamping Pieces with Extension SXT-CL-EXT

Pipe clamps 19, 25 and 40 mm, ball clamps 28.5 and 32 mm

Ordering Data Clamping Pieces with Extension SXT-CL-EXT

Type	Part no.
SXT-CL-EXT-A2-100-F25	10.07.13.00074
SXT-CL-EXT-A2-125-F25	10.07.13.00075
SXT-CL-EXT-A2-150-F25	10.07.13.00076
SXT-CL-EXT-A2-175-F25	10.07.13.00077
SXT-CL-EXT-A2-200-F25	10.07.13.00078
SXT-CL-EXT-A2-225-F25	10.07.13.00079
SXT-CL-EXT-A2-250-F25	10.07.13.00080
SXT-CL-EXT-A2-100-F40	10.07.13.00081
SXT-CL-EXT-A2-125-F40	10.07.13.00082
SXT-CL-EXT-A2-150-F40	10.07.13.00083
SXT-CL-EXT-A2-175-F40	10.07.13.00084
SXT-CL-EXT-A2-200-F40	10.07.13.00085
SXT-CL-EXT-A2-225-F40	10.07.13.00086
SXT-CL-EXT-A2-250-F40	10.07.13.00087
SXT-CL-EXT-A2-100-T25	10.07.13.00218
SXT-CL-EXT-A2-150-T25	10.07.13.00219
SXT-CL-EXT-A2-200-T25	10.07.13.00220
SXT-CL-EXT-A2-250-T25	10.07.13.00221
SXT-CL-EXT-A2-300-T25	10.07.13.00222
SXT-CL-EXT-A2-400-T25	10.07.13.00223
SXT-CL-EXT-A2-500-T25	10.07.13.00224
SXT-CL-EXT-A2-600-T25	10.07.13.00253
SXT-CL-EXT-A3-110-T25	10.07.13.00239
SXT-CL-EXT-A3-160-T25	10.07.13.00240
SXT-CL-EXT-A3-210-T25	10.07.13.00241
SXT-CL-EXT-A3-260-T25	10.07.13.00242
SXT-CL-EXT-A3-310-T25	10.07.13.00243
SXT-CL-EXT-A3-410-T25	10.07.13.00244
SXT-CL-EXT-A3-510-T25	10.07.13.00245
SXT-CL-EXT-A3-610-T25	10.07.13.00256
SXT-CL-EXT-A5-110-T25	10.07.13.00246
SXT-CL-EXT-A5-160-T25	10.07.13.00247
SXT-CL-EXT-A5-210-T25	10.07.13.00248
SXT-CL-EXT-A5-260-T25	10.07.13.00249
SXT-CL-EXT-A5-310-T25	10.07.13.00250
SXT-CL-EXT-A5-410-T25	10.07.13.00251
SXT-CL-EXT-A5-510-T25	10.07.13.00252
SXT-CL-EXT-A5-610-T25	10.07.13.00257
Type	Part no.
SXT-CL-EXT-D25-100-T25	10.07.13.00225
SXT-CL-EXT-D25-150-T25	10.07.13.00226
SXT-CL-EXT-D25-200-T25	10.07.13.00227
SXT-CL-EXT-D25-250-T25	10.07.13.00228
SXT-CL-EXT-D25-300-T25	10.07.13.00229
SXT-CL-EXT-D25-400-T25	10.07.13.00230
SXT-CL-EXT-D25-500-T25	10.07.13.00231
SXT-CL-EXT-D25-600-T25	10.07.13.00254
SXT-CL-EXT-D40-100-T25	10.07.13.00232
SXT-CL-EXT-D40-150-T25	10.07.13.00233
SXT-CL-EXT-D40-200-T25	10.07.13.00234
SXT-CL-EXT-D40-250-T25	10.07.13.00235

Clamping Pieces with Extension SXT-CL-EXT

Pipe clamps 19, 25 and 40 mm, ball clamps 28.5 and 32 mm

Type	Part no.
SXT-CL-EXT-D40-300-T25	10.07.13.00236
SXT-CL-EXT-D40-400-T25	10.07.13.00237
SXT-CL-EXT-D40-500-T25	10.07.13.00238
SXT-CL-EXT-D40-600-T25	10.07.13.00255
SXT-CL-EXT-D25-100-F25	10.07.13.00088
SXT-CL-EXT-D25-125-F25	10.07.13.00089
SXT-CL-EXT-D25-150-F25	10.07.13.00090
SXT-CL-EXT-D25-175-F25	10.07.13.00091
SXT-CL-EXT-D25-200-F25	10.07.13.00092
SXT-CL-EXT-D25-225-F25	10.07.13.00093
SXT-CL-EXT-D25-250-F25	10.07.13.00094
SXT-CL-EXT-D25-100-F40	10.07.13.00095
SXT-CL-EXT-D25-125-F40	10.07.13.00096
SXT-CL-EXT-D25-150-F40	10.07.13.00097
SXT-CL-EXT-D25-175-F40	10.07.13.00098
SXT-CL-EXT-D25-200-F40	10.07.13.00099
SXT-CL-EXT-D25-225-F40	10.07.13.00100
SXT-CL-EXT-D25-250-F40	10.07.13.00101
SXT-CL-EXT-D40-100-F40	10.07.13.00102
SXT-CL-EXT-D40-125-F40	10.07.13.00103
SXT-CL-EXT-D40-150-F40	10.07.13.00104
SXT-CL-EXT-D40-175-F40	10.07.13.00105
SXT-CL-EXT-D40-200-F40	10.07.13.00106
SXT-CL-EXT-D40-225-F40	10.07.13.00107
SXT-CL-EXT-D40-250-F40	10.07.13.00108

Type	Part no.
SXT-CL-EXT-A3-75-F25	10.07.13.00194
SXT-CL-EXT-A3-100-F25	10.07.13.00195
SXT-CL-EXT-A3-110-F25	10.07.13.00196
SXT-CL-EXT-A3-135-F25	10.07.13.00197
SXT-CL-EXT-A3-160-F25	10.07.13.00198
SXT-CL-EXT-A3-185-F25	10.07.13.00199
SXT-CL-EXT-A3-210-F25	10.07.13.00200
SXT-CL-EXT-A3-235-F25	10.07.13.00201
SXT-CL-EXT-A3-260-F25	10.07.13.00202
SXT-CL-EXT-A3-75-F40	10.07.13.00203
SXT-CL-EXT-A3-100-F40	10.07.13.00204
SXT-CL-EXT-A3-110-F40	10.07.13.00205
SXT-CL-EXT-A3-135-F40	10.07.13.00206
SXT-CL-EXT-A3-160-F40	10.07.13.00207
SXT-CL-EXT-A3-185-F40	10.07.13.00208
SXT-CL-EXT-A3-210-F40	10.07.13.00209
SXT-CL-EXT-A3-235-F40	10.07.13.00210
SXT-CL-EXT-A3-260-F40	10.07.13.00211

Clamping Pieces with Extension SXT-CL-EXT

Pipe clamps 19, 25 and 40 mm, ball clamps 28.5 and 32 mm

Technical Data Clamping Pieces with Extension SXT-CL-EXT

Type	Weight [g]	Material
SXT-CL-EXT-A2-100-F25	275	Aluminum
SXT-CL-EXT-A2-125-F25	305	Aluminum
SXT-CL-EXT-A2-150-F25	340	Aluminum
SXT-CL-EXT-A2-175-F25	375	Aluminum
SXT-CL-EXT-A2-200-F25	405	Aluminum
SXT-CL-EXT-A2-225-F25	440	Aluminum
SXT-CL-EXT-A2-250-F25	470	Aluminum
SXT-CL-EXT-A2-100-F40	285	Aluminum
SXT-CL-EXT-A2-125-F40	320	Aluminum
SXT-CL-EXT-A2-150-F40	350	Aluminum
SXT-CL-EXT-A2-175-F40	385	Aluminum
SXT-CL-EXT-A2-200-F40	420	Aluminum
SXT-CL-EXT-A2-225-F40	450	Aluminum
SXT-CL-EXT-A2-250-F40	480	Aluminum
SXT-CL-EXT-A2-100-T25	160	Aluminum
SXT-CL-EXT-A2-150-T25	190	Aluminum
SXT-CL-EXT-A2-200-T25	220	Aluminum
SXT-CL-EXT-A2-250-T25	250	Aluminum
SXT-CL-EXT-A2-300-T25	280	Aluminum
SXT-CL-EXT-A2-400-T25	330	Aluminum
SXT-CL-EXT-A2-500-T25	390	Aluminum
SXT-CL-EXT-A2-600-T25	440	Aluminum
SXT-CL-EXT-A3-110-T25	250	Aluminum
SXT-CL-EXT-A3-160-T25	270	Aluminum
SXT-CL-EXT-A3-210-T25	300	Aluminum
SXT-CL-EXT-A3-260-T25	330	Aluminum
SXT-CL-EXT-A3-310-T25	360	Aluminum
SXT-CL-EXT-A3-410-T25	410	Aluminum
SXT-CL-EXT-A3-510-T25	470	Aluminum
SXT-CL-EXT-A2-200-M25	325	Aluminum
SXT-CL-EXT-A5-110-T25	240	Aluminum
SXT-CL-EXT-A5-160-T25	260	Aluminum
SXT-CL-EXT-A5-210-T25	290	Aluminum
SXT-CL-EXT-A5-260-T25	320	Aluminum
SXT-CL-EXT-A5-310-T25	350	Aluminum
SXT-CL-EXT-A5-510-T25	460	Aluminum
SXT-CL-EXT-A5-610-T25	520	Aluminum

Type	Weight [g]	Material
SXT-CL-EXT-D25-100-F25	290	Aluminum
SXT-CL-EXT-D25-100-F40	305	Aluminum
SXT-CL-EXT-D25-100-T25	180	Aluminum
SXT-CL-EXT-D25-125-F25	325	Aluminum
SXT-CL-EXT-D25-125-F40	335	Aluminum
SXT-CL-EXT-D25-150-F25	355	Aluminum
SXT-CL-EXT-D25-150-F40	370	Aluminum
SXT-CL-EXT-D25-150-T25	210	Aluminum
SXT-CL-EXT-D25-175-F25	390	Aluminum
SXT-CL-EXT-D25-175-F40	405	Aluminum
SXT-CL-EXT-D25-200-F25	425	Aluminum
SXT-CL-EXT-D25-200-F40	435	Aluminum
SXT-CL-EXT-D25-200-T25	240	Aluminum
SXT-CL-EXT-D25-225-F25	455	Aluminum

Clamping Pieces with Extension SXT-CL-EXT

Pipe clamps 19, 25 and 40 mm, ball clamps 28.5 and 32 mm

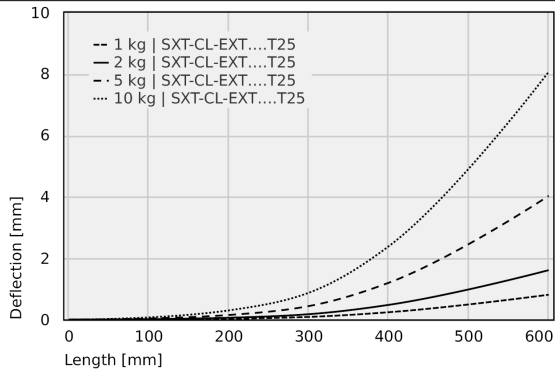
Type	Weight [g]	Material
SXT-CL-EXT-D25-225-F40	470	Aluminum
SXT-CL-EXT-D25-250-F25	485	Aluminum
SXT-CL-EXT-D25-250-F40	500	Aluminum
SXT-CL-EXT-D25-250-T25	270	Aluminum
SXT-CL-EXT-D25-300-T25	290	Aluminum
SXT-CL-EXT-D25-400-T25	350	Aluminum
SXT-CL-EXT-D25-500-T25	410	Aluminum
SXT-CL-EXT-D25-600-T25	460	Aluminum
SXT-CL-EXT-D40-100-F40	315	Aluminum
SXT-CL-EXT-D40-100-T25	200	Aluminum
SXT-CL-EXT-D40-125-F40	350	Aluminum
SXT-CL-EXT-D40-150-F40	380	Aluminum
SXT-CL-EXT-D40-150-T25	220	Aluminum
SXT-CL-EXT-D40-175-F40	415	Aluminum
SXT-CL-EXT-D40-200-F40	450	Aluminum
SXT-CL-EXT-D40-200-T25	250	Aluminum
SXT-CL-EXT-D40-225-F40	480	Aluminum
SXT-CL-EXT-D40-250-F40	510	Aluminum
SXT-CL-EXT-D40-250-T25	280	Aluminum
SXT-CL-EXT-D40-300-T25	310	Aluminum
SXT-CL-EXT-D40-400-T25	360	Aluminum
SXT-CL-EXT-D40-500-T25	420	Aluminum
SXT-CL-EXT-D40-600-T25	480	Aluminum

Type	Weight [g]	Material
SXT-CL-EXT-A3-100-F25	350	Aluminum
SXT-CL-EXT-A3-100-F40	360	Aluminum
SXT-CL-EXT-A3-110-F25	360	Aluminum
SXT-CL-EXT-A3-110-F40	380	Aluminum
SXT-CL-EXT-A3-135-F25	390	Aluminum
SXT-CL-EXT-A3-135-F40	410	Aluminum
SXT-CL-EXT-A3-160-F25	430	Aluminum
SXT-CL-EXT-A3-160-F40	440	Aluminum
SXT-CL-EXT-A3-185-F25	460	Aluminum
SXT-CL-EXT-A3-185-F40	470	Aluminum
SXT-CL-EXT-A3-210-F25	490	Aluminum
SXT-CL-EXT-A3-210-F40	510	Aluminum
SXT-CL-EXT-A3-235-F25	530	Aluminum
SXT-CL-EXT-A3-235-F40	540	Aluminum
SXT-CL-EXT-A3-260-F25	560	Aluminum
SXT-CL-EXT-A3-260-F40	570	Aluminum
SXT-CL-EXT-A3-75-F25	310	Aluminum
SXT-CL-EXT-A3-75-F40	320	Aluminum

Clamping Pieces with Extension SXT-CL-EXT

Pipe clamps 19, 25 and 40 mm, ball clamps 28.5 and 32 mm

Performance Data Clamping Pieces with Extension SXT-CL-EXT



Deflection tube 25 x 3 mm

Clamping Pieces with Extension SXT-CL-EXT

Pipe clamps 19, 25 and 40 mm, ball clamps 28.5 and 32 mm

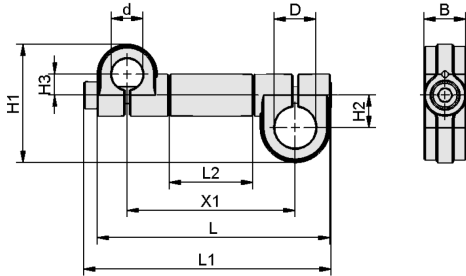
Deflection tube 25 x 3 mm

	0	200	400	600
1 kg SXT-CL-EXT....T25	-	0.03	0.24	0.81
2 kg SXT-CL-EXT....T25	-	0.06	0.48	1.61
5 kg SXT-CL-EXT....T25	-	0.15	1.20	4.03
10 kg SXT-CL-EXT....T25	-	0.30	2.39	8.07

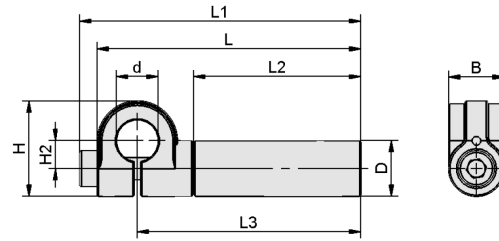
Clamping Pieces with Extension SXT-CL-EXT

Pipe clamps 19, 25 and 40 mm, ball clamps 28.5 and 32 mm

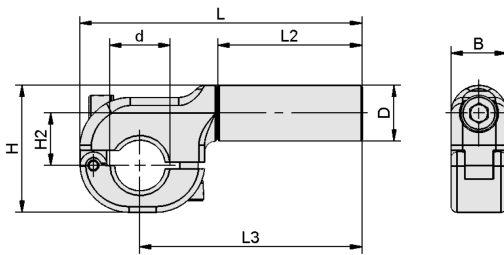
Design Data Clamping Pieces with Extension SXT-CL-EXT



SXT-CL-EXT F



SXT-CL-EXT M



SXT-CL-EXT...

Clamping Pieces with Extension SXT-CL-EXT

Pipe clamps 19, 25 and 40 mm, ball clamps 28.5 and 32 mm

Design Data Clamping Pieces with Extension SXT-CL-EXT

Type	B [mm]	D [mm]	d [mm]	d1 [mm]	H [mm]	H1 [mm]	H2 [mm]	H3 [mm]	L [mm]	L1 [mm]	L2 [mm]	L3 [mm]	X1 [mm]	
SXT-CL-EXT-A2-100-F25	25	25	19	-	-	71	19.5	13	140.5	149	50	-	101	10.07.13.00074
SXT-CL-EXT-A2-125-F25	25	25	19	-	-	71	19.5	13	165.5	174	75	-	126	10.07.13.00075
SXT-CL-EXT-A2-150-F25	25	25	19	-	-	71	19.5	13	190.5	199	100	-	151	10.07.13.00076
SXT-CL-EXT-A2-175-F25	25	25	19	-	-	71	19.5	13	215.5	224	125	-	176	10.07.13.00077
SXT-CL-EXT-A2-200-F25	25	25	19	-	-	71	19.5	13	240.5	249	150	-	201	10.07.13.00078
SXT-CL-EXT-A2-225-F25	25	25	19	-	-	71	19.5	13	265.5	274	175	-	226	10.07.13.00079
SXT-CL-EXT-A2-250-F25	25	25	19	-	-	71	19.5	13	290.5	299	200	-	251	10.07.13.00080
SXT-CL-EXT-A2-100-F40	25	40	19	-	-	83	25.5	13	146.5	155	50	-	101	10.07.13.00081
SXT-CL-EXT-A2-125-F40	25	40	19	-	-	83	25.5	13	171.5	180	75	-	126	10.07.13.00082
SXT-CL-EXT-A2-150-F40	25	40	19	-	-	83	25.5	13	196.5	205	100	-	151	10.07.13.00083
SXT-CL-EXT-A2-175-F40	25	40	19	-	-	83	25.5	13	221.5	230	125	-	176	10.07.13.00084
SXT-CL-EXT-A2-200-F40	25	40	19	-	-	83	25.5	13	246.5	255	150	-	201	10.07.13.00085
SXT-CL-EXT-A2-225-F40	25	40	19	-	-	83	25.5	13	271.5	280	175	-	226	10.07.13.00086
SXT-CL-EXT-A2-250-F40	25	40	19	-	-	83	25.5	13	296.5	305	200	-	251	10.07.13.00087

Clamping Pieces with Extension SXT-CL-EXT

Pipe clamps 19, 25 and 40 mm, ball clamps 28.5 and 32 mm

Type	B [mm]	D [mm]	d [mm]	d1 [mm]	H [mm]	H1 [mm]	H2 [mm]	H3 [mm]	L [mm]	L1 [mm]	L2 [mm]	L3 [mm]	X1 [mm]	
SXT-CL-EXT-A2-100-T25	25	25	19	-	43.0	-	12.5	-	118.5	127	75	101	-	10.07.13.00218
SXT-CL-EXT-A2-200-T25	25	25	19	-	43.0	-	12.5	-	218.5	227	175	201	-	10.07.13.00220
SXT-CL-EXT-A2-250-T25	25	25	19	-	43.0	-	12.5	-	268.5	277	225	251	-	10.07.13.00221
SXT-CL-EXT-A2-300-T25	25	25	19	-	43.0	-	12.5	-	318.5	327	275	301	-	10.07.13.00222
SXT-CL-EXT-A2-400-T25	25	25	19	-	43.0	-	12.5	-	418.5	427	375	401	-	10.07.13.00223
SXT-CL-EXT-A2-500-T25	25	25	19	-	43.0	-	12.5	-	518.5	527	475	501	-	10.07.13.00224
SXT-CL-EXT-A2-600-T25	25	25	19	-	43.0	-	12.5	-	618.5	627	575	601	-	10.07.13.00253
SXT-CL-EXT-A3-110-T25	25	25	29	-	57.0	-	23.5	-	137.1	-	75	111	-	10.07.13.00239
SXT-CL-EXT-A3-160-T25	25	25	29	-	57.0	-	23.5	-	187.1	-	125	161	-	10.07.13.00240
SXT-CL-EXT-A3-210-T25	25	25	29	-	57.0	-	23.5	-	237.1	-	175	211	-	10.07.13.00241
SXT-CL-EXT-A3-260-T25	25	25	29	-	57.0	-	23.5	-	287.1	-	225	261	-	10.07.13.00242
SXT-CL-EXT-A3-310-T25	25	25	29	-	57.0	-	23.5	-	337.1	-	275	311	-	10.07.13.00243
SXT-CL-EXT-A3-410-T25	25	25	29	-	57.0	-	23.5	-	437.1	-	375	411	-	10.07.13.00244
SXT-CL-EXT-A3-510-T25	25	25	29	-	57.0	-	23.5	-	537.1	-	475	511	-	10.07.13.00245
SXT-CL-EXT-A3-610-T25	25	25	29	-	57.0	-	23.5	-	637.1	-	575	611	-	10.07.13.00256

Clamping Pieces with Extension SXT-CL-EXT

Pipe clamps 19, 25 and 40 mm, ball clamps 28.5 and 32 mm

Type	B [mm]	D [mm]	d [mm]	d1 [mm]	H [mm]	H1 [mm]	H2 [mm]	H3 [mm]	L [mm]	L1 [mm]	L2 [mm]	L3 [mm]	X1 [mm]	
SXT-CL-EXT-A5-110-T25	25	25	32	-	57.0	-	23.5	-	137.1	-	75	111	-	10.07.13.00246
SXT-CL-EXT-A5-160-T25	25	25	32	-	57.0	-	23.5	-	187.1	-	125	161	-	10.07.13.00247
SXT-CL-EXT-A5-210-T25	25	25	32	-	57.0	-	23.5	-	237.1	-	175	211	-	10.07.13.00248
SXT-CL-EXT-A5-260-T25	25	25	32	-	57.0	-	23.5	-	287.1	-	225	261	-	10.07.13.00249
SXT-CL-EXT-A5-310-T25	25	25	32	-	57.0	-	23.5	-	337.1	-	275	311	-	10.07.13.00250
SXT-CL-EXT-A5-410-T25	25	25	32	-	57.0	-	23.5	-	437.1	-	375	411	-	10.07.13.00251
SXT-CL-EXT-A5-510-T25	25	25	32	-	57.0	-	23.5	-	537.1	-	475	511	-	10.07.13.00252
SXT-CL-EXT-A5-610-T25	25	25	32	-	57.0	-	23.5	-	637.1	-	575	611	-	10.07.13.00257
SXT-CL-EXT-D25-100-T25	25	25	25	-	53.0	-	19.5	-	121.5	122	75	101	-	10.07.13.00225
SXT-CL-EXT-D25-150-T25	25	25	25	-	53.0	-	19.5	-	171.5	172	125	151	-	10.07.13.00226
SXT-CL-EXT-D25-200-T25	25	25	25	-	53.0	-	19.5	-	221.5	222	175	201	-	10.07.13.00227
SXT-CL-EXT-D25-250-T25	25	25	25	-	53.0	-	19.5	-	271.5	272	225	251	-	10.07.13.00228
SXT-CL-EXT-D25-300-T25	25	25	25	-	53.0	-	19.5	-	321.5	322	275	301	-	10.07.13.00229
SXT-CL-EXT-D25-400-T25	25	25	25	-	53.0	-	19.5	-	421.5	422	375	401	-	10.07.13.00230
SXT-CL-EXT-D25-500-T25	25	25	25	-	53.0	-	19.5	-	521.5	522	475	501	-	10.07.13.00231

Clamping Pieces with Extension SXT-CL-EXT

Pipe clamps 19, 25 and 40 mm, ball clamps 28.5 and 32 mm

Type	B [mm]	D [mm]	d [mm]	d1 [mm]	H [mm]	H1 [mm]	H2 [mm]	H3 [mm]	L [mm]	L1 [mm]	L2 [mm]	L3 [mm]	X1 [mm]	
SXT-CL-EXT-D25-600-T25	25	25	25	-	53.0	-	19.5	-	621.5	622	575	601	-	10.07.13.00254
SXT-CL-EXT-D40-100-T25	25	25	40	-	65.0	-	25.5	-	127.5	128	75	101	-	10.07.13.00232
SXT-CL-EXT-D40-150-T25	25	25	40	-	65.0	-	25.5	-	177.5	178	125	151	-	10.07.13.00233
SXT-CL-EXT-D40-200-T25	25	25	40	-	65.0	-	25.5	-	227.5	228	175	201	-	10.07.13.00234
SXT-CL-EXT-D40-250-T25	25	25	40	-	65.0	-	25.5	-	277.5	278	225	251	-	10.07.13.00235
SXT-CL-EXT-D40-300-T25	25	25	40	-	65.0	-	25.5	-	327.5	328	275	301	-	10.07.13.00236
SXT-CL-EXT-D40-400-T25	25	25	40	-	65.0	-	25.5	-	427.5	428	375	401	-	10.07.13.00237
SXT-CL-EXT-D40-500-T25	25	25	40	-	65.0	-	25.5	-	527.5	528	475	501	-	10.07.13.00238
SXT-CL-EXT-D40-600-T25	25	25	40	-	65.0	-	25.5	-	627.5	628	575	601	-	10.07.13.00255
SXT-CL-EXT-D25-100-F25	25	25	25	-	-	81	19.5	20	143.5	144	50	-	101	10.07.13.00088
SXT-CL-EXT-D25-125-F25	25	25	25	-	-	81	19.5	20	168.5	169	75	-	126	10.07.13.00089
SXT-CL-EXT-D25-150-F25	25	25	25	-	-	81	19.5	20	193.5	194	100	-	151	10.07.13.00090
SXT-CL-EXT-D25-175-F25	25	25	25	-	-	81	19.5	20	218.5	219	125	-	176	10.07.13.00091
SXT-CL-EXT-D25-200-F25	25	25	25	-	-	81	19.5	20	243.5	244	150	-	201	10.07.13.00092
SXT-CL-EXT-D25-225-F25	25	25	25	-	-	81	19.5	20	268.5	269	175	-	226	10.07.13.00093

Clamping Pieces with Extension SXT-CL-EXT

Pipe clamps 19, 25 and 40 mm, ball clamps 28.5 and 32 mm

Type	B [mm]	D [mm]	d [mm]	d1 [mm]	H [mm]	H1 [mm]	H2 [mm]	H3 [mm]	L [mm]	L1 [mm]	L2 [mm]	L3 [mm]	X1 [mm]	
SXT-CL-EXT-D25-250-F25	25	25	25	-	-	81	19.5	20	293.5	294	200	-	251	10.07.13.00094
SXT-CL-EXT-D25-100-F40	25	40	25	-	-	93	25.5	20	149.5	150	50	-	101	10.07.13.00095
SXT-CL-EXT-D25-125-F40	25	40	25	-	-	93	25.5	20	174.5	175	75	-	126	10.07.13.00096
SXT-CL-EXT-D25-150-F40	25	40	25	-	-	93	25.5	20	199.5	200	100	-	151	10.07.13.00097
SXT-CL-EXT-D25-175-F40	25	40	25	-	-	93	25.5	20	224.5	225	125	-	176	10.07.13.00098
SXT-CL-EXT-D25-200-F40	25	40	25	-	-	93	25.5	20	249.5	250	150	-	201	10.07.13.00099
SXT-CL-EXT-D25-225-F40	25	40	25	-	-	93	25.5	20	274.5	275	175	-	226	10.07.13.00100
SXT-CL-EXT-D25-250-F40	25	40	25	-	-	93	25.5	20	299.5	300	200	-	251	10.07.13.00101
SXT-CL-EXT-D40-100-F40	25	40	40	-	-	105	25.5	26	155.5	156	50	-	101	10.07.13.00102
SXT-CL-EXT-D40-125-F40	25	40	40	-	-	105	25.5	26	180.5	181	75	-	126	10.07.13.00103
SXT-CL-EXT-D40-150-F40	25	40	40	-	-	105	25.5	26	205.5	206	100	-	151	10.07.13.00104
SXT-CL-EXT-D40-175-F40	25	40	40	-	-	105	25.5	26	230.5	231	125	-	176	10.07.13.00105
SXT-CL-EXT-D40-200-F40	25	40	40	-	-	105	25.5	26	255.5	256	150	-	201	10.07.13.00106
SXT-CL-EXT-D40-225-F40	25	40	40	-	-	105	25.5	26	280.5	281	175	-	226	10.07.13.00107
SXT-CL-EXT-D40-250-F40	25	40	40	-	-	105	25.5	26	305.5	306	200	-	251	10.07.13.00108

Clamping Pieces with Extension SXT-CL-EXT

Pipe clamps 19, 25 and 40 mm, ball clamps 28.5 and 32 mm

Type	B [mm]	D [mm]	d [mm]	d1 [mm]	H [mm]	H1 [mm]	H2 [mm]	H3 [mm]	L [mm]	L1 [mm]	L2 [mm]	L3 [mm]	X1 [mm]	
SXT-CL-EXT-A3-75-F25	25	25	29	-	57.0	53	19.5	24	123.7	-	15	-	75	10.07.13.00194
SXT-CL-EXT-A3-100-F25	25	25	29	-	57.0	53	19.5	24	148.7	-	40	-	100	10.07.13.00195
SXT-CL-EXT-A3-110-F25	25	25	29	-	57.0	53	19.5	24	158.6	-	50	-	110	10.07.13.00196
SXT-CL-EXT-A3-135-F25	25	25	29	-	57.0	53	19.5	24	183.6	-	75	-	135	10.07.13.00197
SXT-CL-EXT-A3-160-F25	25	25	29	-	57.0	53	19.5	24	208.6	-	100	-	160	10.07.13.00198
SXT-CL-EXT-A3-185-F25	25	25	29	-	57.0	53	19.5	24	233.6	-	125	-	185	10.07.13.00199
SXT-CL-EXT-A3-210-F25	25	25	29	-	57.0	53	19.5	24	258.6	-	150	-	210	10.07.13.00200
SXT-CL-EXT-A3-235-F25	25	25	29	-	57.0	53	19.5	24	283.6	-	175	-	235	10.07.13.00201
SXT-CL-EXT-A3-260-F25	25	25	29	-	57.0	53	19.5	24	308.6	-	200	-	260	10.07.13.00202
SXT-CL-EXT-A3-75-F40	25	40	29	-	57.0	65	25.5	24	129.7	-	15	-	75	10.07.13.00203
SXT-CL-EXT-A3-100-F40	25	40	29	-	57.0	65	25.5	24	154.7	-	40	-	100	10.07.13.00204
SXT-CL-EXT-A3-110-F40	25	40	29	-	57.0	65	25.5	24	164.7	-	50	-	110	10.07.13.00205
SXT-CL-EXT-A3-135-F40	25	40	29	-	57.0	65	25.5	24	189.7	-	75	-	135	10.07.13.00206
SXT-CL-EXT-A3-160-F40	25	40	29	-	57.0	65	25.5	24	214.7	-	100	-	160	10.07.13.00207
SXT-CL-EXT-A3-185-F40	25	40	29	-	57.0	65	25.5	24	239.7	-	125	-	185	10.07.13.00208

Clamping Pieces with Extension SXT-CL-EXT

Pipe clamps 19, 25 and 40 mm, ball clamps 28.5 and 32 mm

Type	B [mm]	D [mm]	d [mm]	d1 [mm]	H [mm]	H1 [mm]	H2 [mm]	H3 [mm]	L [mm]	L1 [mm]	L2 [mm]	L3 [mm]	X1 [mm]	
SXT-CL-EXT-A3-210-F40	25	40	29	-	57.0	65	25.5	24	264.7	-	150	-	210	10.07.13.00209
SXT-CL-EXT-A3-235-F40	25	40	29	-	57.0	65	25.5	24	289.7	-	175	-	235	10.07.13.00210
SXT-CL-EXT-A3-260-F40	25	40	29	-	57.0	65	25.5	24	314.7	-	200	-	260	10.07.13.00211

Multimedia product presentation

Medium

Product video

Link

<https://vimeo.com/408410930>