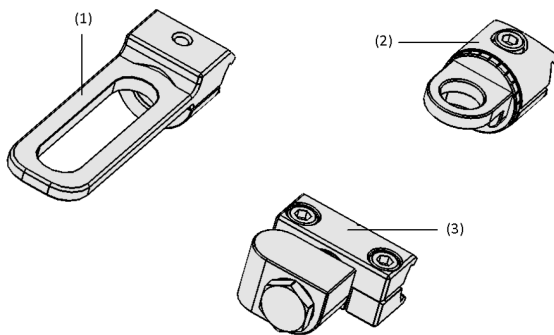


## Connection Technology PXT

Connection elements for easy assembly of any components



Connection Technology PXT



System design Connection Technology PXT



Modular gripper system PXT handling a glass pane

### Suitability for industry specific applications

#### Applications

- Slot holder for quick adjustment of the gripping system in the process
- Holders can be rotated without stops to adapt to free-form surfaces
- Standardized bores and threads enable the connection of all Schmalz components
- Simple and quick connection to D30 beam system

#### Design

- Suction cup holder with slot (1) for easy adjustment of the suction cup position
- Rotatable component holder (2) with external vacuum guide
- Rotatable component holder (3) with internal vacuum guide

#### Product highlights

- Option of internal vacuum guide enables vacuum supply without hoses
- Standard clamping for 3D beam system enables simple and fast assembly
- Holders can be rotated without stops to adapt to free-form surfaces

## Connection Technology PXT

Connection elements for easy assembly of any components

### Ordering data Connection Technology PXT

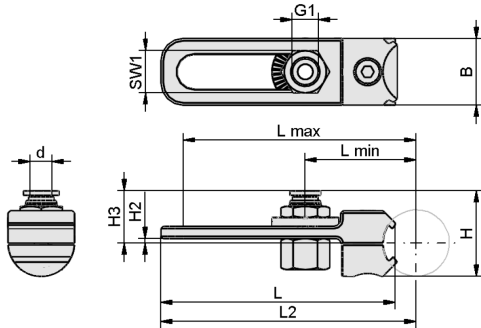
Type	Part no.
SAUG-ANB PXT D30-I SH	10.01.49.00036
SAUG-ANB PXT D30-I ROT	10.01.49.00039
SAUG-ANB G1/4-IG 42	10.01.49.00045
SAUG-ANB PXT D30-I ROT IV	10.01.49.00046
HTR-D30-I M16x1-IG FSTE PXT	10.01.49.00038

Type	Part no.
BUCHSE 8.1x20.5	10.01.49.00044
ZUB BOHR-BUCHS FSTImc 8	10.01.49.00057
SVS-STV-GE 8 M16x1-AG G1/4-IG	10.08.02.00500

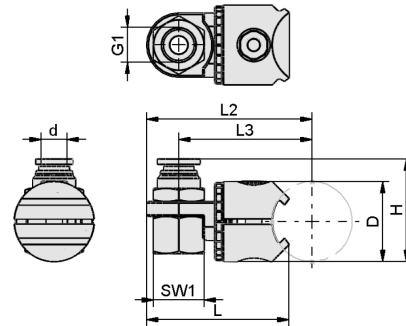
# Connection Technology PXT

Connection elements for easy assembly of any components

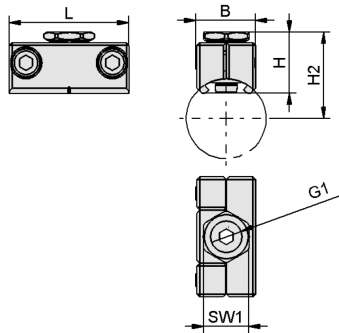
## Design data Connection Technology PXT



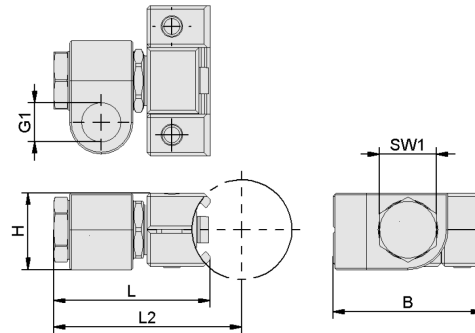
10.01.49.00036 SAUG-ANB PXT D30-I



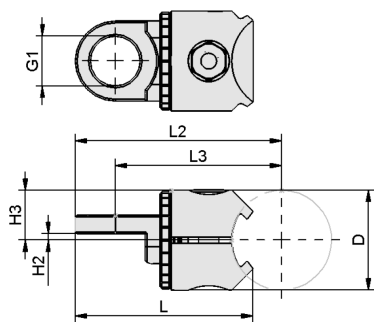
10.01.49.00039 SAUG-ANB PXT D30-I



10.01.49.00045 SAUG-ANB G1/4-IG 22.7



10.01.49.00046 SAUG-ANB PXT D30-I



10.01.49.00038 HTR-D30-I M16x1-IG FSTE PXT

## Connection Technology PXT

Connection elements for easy assembly of any components

### Design data Connection Technology PXT

Type	B [mm]	d [mm]	Thread G1	H [mm]	H2 [mm]	H3 [mm]	L [mm]	L2 [mm]	L3 [mm]	L (min) [mm]	L (max.) [mm]	SW1
SAUG-ANB PXT D30-I SH	30.0	8	G1/4"-F	38.5	2.0	23.5	104.5	115.0	-	50	100	19
SAUG-ANB PXT D30-I ROT	-	8	G1/4"-F	38.5	-	-	53.4	62.0	50	-	-	19
SAUG-ANB G1/4-IG 42	22.4	-	G1/4"-F	20.0	29.5	-	42.0	-	-	-	-	-
SAUG-ANB PXT D30-I ROT IV	42.0	-	G1/4"-F	23.0	-	-	43.9	53.4	-	-	-	17
HTR-D30-I M16x1-IG FSTE PXT	-	-	M16x1-F	-	2.0	15.0	53.4	62.0	50	-	-	-

### Multimedia product presentation

Medium	Link
Product video	<a href="https://vimeo.com/547939483">https://vimeo.com/547939483</a>