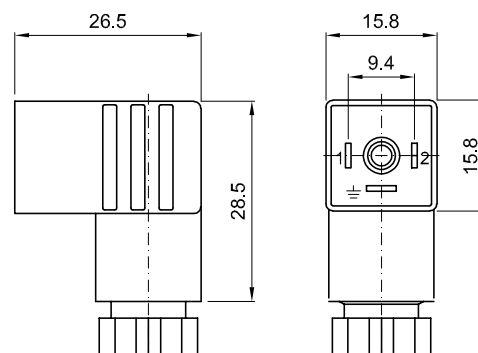


**Connector code 10348040**

AMP 2.8x0.5 connector

Contact distance: 9.4mm  
Protection class: IP65  
Working temperature: -40°C +90°C  
Fixing method: M3 central screw  
Gland size: PG7 cable Ø4-6mm  
(n°2 poles+earth)

Weight 0.010Kg

**Connector code 10348060**

DIN 43650 Form C connector

Contact distance: 8mm  
Protection class: IP65  
Working temperature: -40°C +90°C  
Fixing method: M2.5 central screw  
Gland size: PG7 cable Ø4-6mm  
(n°2 poles+earth)

Weight 0.010Kg

