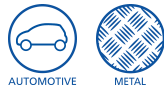
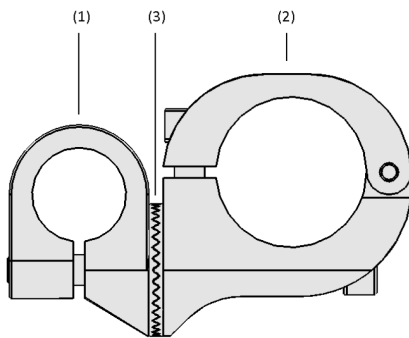


Cross Beam Connectors (Geared) SXT-TC

Cross beam connector made of tube clamps 25 and 40 mm



Cross Beam Connectors (Geared) SXT-TC



System Design Cross Beam Connectors (Geared) SXT-TC



Cross beam connector (geared) SXT-TC in combination with holders HT-SG and suction cups SAX when handling an automotive part

Suitability for Industry Specific Applications

Applications

- Modular pipe clamp assembly with gearing for connecting holders and vacuum components to pipe tooling grippers for flexibly adjustable lightweight construction
- Wide range of uses for numerous applications with a minimum number of different components with gearing
- Suitable for all common tooling and quick-change systems for press shops and car body construction

Design

- Finished assembly of pipe clamps 25 and 40 mm (1), pipe clamps 25 and 40 mm (2)
- Gearing with 10° pitch (3)
- Male version in grey, attachable or clampable
- Female version in black, attachable

Product Highlights

- High-strength tube clamp assembly with gearing for highly dynamic processes due to positive locking components
- Simple design and fast assembly due to clear portfolio
- Flexible angle adjustment with 10° pitch enables a wide range of applications

Cross Beam Connectors (Geared) SXT-TC

Cross beam connector made of tube clamps 25 and 40 mm

Designation Code Cross Beam Connectors (Geared) SXT-TC

SXT-TC	-	F4	-	0	-	C4
1		2		3		4

1 – Abbreviated designation

Code	Version
SXT-TC	Connections (geared), preconfigured

2 – Connection 1

Code	Diameter in mm
F2	ø 25 mm, female
F4	ø 40 mm, female
F11N	ø 25.4, female

3 – Adjustment angle

Code	Angle
0	Straight connection (without extension)

4 – Connection 2

Code	Diameter clamp in mm
C4	ø 40, male, clampable
M2	ø 25, male
M4	ø 40, male
M-A5	ø 32, male, ball clamp
C1.5IN	ø 38.1, male, clampable

Selection Matrix Mounting Set SXT

Component 1	Component 2	Screw length	Mounting set
SXT-CON-GB-M-A3 / SXT-CON-GB-M-A5	SXT-CON-GB-F-D25	M8x80	10.07.13.00181
	SXT-CON-GB-F-11N	M8x80	10.07.13.00181
	SXT-CON-GB-F-D40	M8x90	10.07.13.00182
	SXT-EXT- ...	M8x60	10.07.13.00177
	SXT-ANG-GB2-F	M8x55	10.07.13.00176
SXT-CON-GB-M-D25	SXT-CON-GB-F-D25	M8x70	10.07.13.00179
	SXT-CON-GB-F-11N	M8x70	10.07.13.00179
	SXT-CON-GB-F-D40	M8x80	10.07.13.00181
	SXT-EXT- ...	M8x50	10.07.13.00175
	SXT-ANG-GB2-F	M8x50	10.07.13.00175
SXT-CON-GB-M-D40	SXT-CON-GB-F-D25	M8x80	10.07.13.00181
	SXT-CON-GB-F-11N	M8x80	10.07.13.00181
	SXT-CON-GB-F-D40	M8x90	10.07.13.00182
	SXT-EXT- ...	M8x60	10.07.13.00177
	SXT-ANG-GB2-F	M8x60	10.07.13.00177
SXT-CON-GB-MO-1,5IN / SXT-CON-GB-MO-D40	SXT-CON-GB-F-D25	M8x90	10.07.13.00182
	SXT-CON-GB-F-11N	M8x90	10.07.13.00182
	SXT-CON-GB-F-D40	M8x100	10.07.13.00183
	SXT-EXT- ...	M8x70	10.07.13.00179
	SXT-ANG-GB2-F	M8x65	10.07.13.00178
SXT-ANG-GB2-M	SXT-CON-GB-F-D25	M8x45	10.07.13.00174
	SXT-CON-GB-F-11N	M8x45	10.07.13.00174
	SXT-CON-GB-F-D40	M8x55	10.07.13.00176
	SXT-EXT- ...	M8x30	10.07.13.00173
	SXT-ANG-GB2-F	M8x25	10.07.13.00172

The cross beam connectors (geared) SXT-TC are delivered assembled.

Available spare parts: Mounting set SXT - consisting of screws, washers and springs

Cross Beam Connectors (Geared) SXT-TC

Cross beam connector made of tube clamps 25 and 40 mm

Ordering Data Cross Beam Connectors (Geared) SXT-TC

Type	Part no.
SXT-TC-F2-0-C4	10.07.13.00156
SXT-TC-F2-0-M2	10.07.13.00157
SXT-TC-F2-0-M4	10.07.13.00155
SXT-TC-F4-0-C4	10.07.13.00169
SXT-TC-F4-0-M4	10.07.13.00168
SXT-TC-F2-0-C1.5IN	10.07.13.00214
SXT-TC-F4-0-C1.5IN	10.07.13.00435

Ordering Data Spare Parts Cross Beam Connectors (Geared) SXT-TC

Type	Spare Parts	Part no.
SXT-TC-F2-0-C4	Assembly set	10.07.13.00182
SXT-TC-F2-0-M2	Assembly set	10.07.13.00179
SXT-TC-F2-0-M4	Assembly set	10.07.13.00181
SXT-TC-F4-0-C4	Assembly set	10.07.13.00183
SXT-TC-F4-0-M4	Assembly set	10.07.13.00182
SXT-TC-F2-0-C1.5IN	Assembly set	10.07.13.00182
SXT-TC-F4-0-C1.5IN	Assembly set	10.07.13.00182

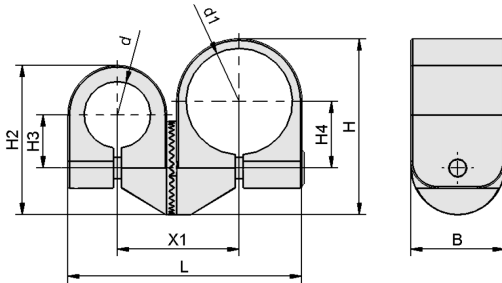
Technical Data Cross Beam Connectors (Geared) SXT-TC

Type	Weight [g]
SXT-TC-F2-0-C4	334
SXT-TC-F2-0-M2	236
SXT-TC-F2-0-M4	242
SXT-TC-F4-0-C4	348
SXT-TC-F4-0-M4	256
SXT-TC-F2-0-C1.5IN	344
SXT-TC-F4-0-C1.5IN	349

Cross Beam Connectors (Geared) SXT-TC

Cross beam connector made of tube clamps 25 and 40 mm

Design Data Cross Beam Connectors (Geared) SXT-TC



SXT-TC

Cross Beam Connectors (Geared) SXT-TC

Cross beam connector made of tube clamps 25 and 40 mm

Design Data Cross Beam Connectors (Geared) SXT-TC

Type	B [mm]	d [mm]	d1 [mm]	H [mm]	H2 [mm]	H3 [mm]	H4 [mm]	L [mm]	X1 [mm]
SXT-TC-F2-0-C4	35	25	40	69.5	56.0	20	26	106.8	46
SXT-TC-F2-0-M2	35	25	25	56.0	56.0	20	20	77.3	41
SXT-TC-F2-0-M4	35	25	40	66.0	56.0	20	25	87.8	46
SXT-TC-F4-0-C4	35	40	40	69.5	66.0	25	26	116.8	61
SXT-TC-F4-0-M4	35	40	40	66.0	66.0	25	25	97.8	51
SXT-TC-F2-0-C1.5IN	35	25	39	69.5	56.0	20	26	106.8	56
SXT-TC-F4-0-C1.5IN	35	40	39	69.5	66.0	25	26	116.8	61

Multimedia product presentation

Medium

Product video

Link

<https://vimeo.com/408410930>