

# Ejectors with Active Blow Off SEAC

Suction rate 35 l/min



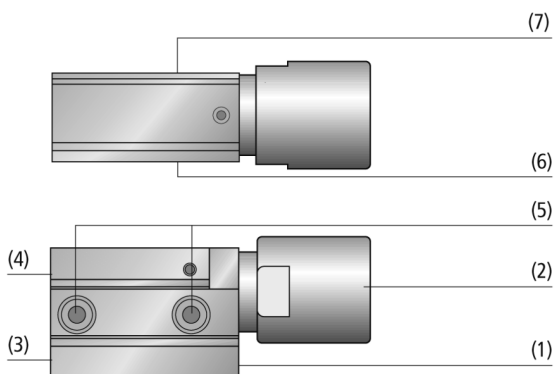
## Suitability for Industry Specific Applications

### Applications

- Ejector for many different applications with active blow off to realize shortest cycle times, e.g. in sheet-metal handling, the automotive industry, in packaging machines and robot technology



Ejectors with Active Blow Off SEAC



### Design

- Main body (1) made of plastic; smallest possible dimensions and low weight
- Silencer (2) made of anodized aluminum
- Compressed air connection for blow off (3) and for suction (4)
- Two holes (5) for connecting to tooling; vacuum connection (6)
- Two M4 mounting screws included in delivery
- Optional with vacuum switch (7) with fixed switching point at 600 mbar, 3 m connection cable and protective cover with pull-relief (SEAC VE-SH)

System Design Ejectors with Active Blow Off SEAC



Decentral vacuum generation by ejector SEAC directly at the suction cup

### Product Highlights

- Short suction and blow off times enable shortest cycles in automatic operation
- Compact, lightweight plastic main body optimized for systems with extremely high dynamics
- Direct mounting on the suction cup is possible with the modular holder system HTS
- With silencer
- Optional vacuum switch enables the optimization of cycle times

# Ejectors with Active Blow Off SEAC

Suction rate 35 l/min

## Designation Code Ejectors with Active Blow Off SEAC

SEAC	–	10	–	VE-SH
1		2		3

### 1 – Abbreviated designation

Code	Version
SEAC	SEAC

### 2 – Nozzle size

Code	Diameter in mm
10	ø 1

### 3 – System monitoring

Code	Type
VE-SH	Vacuum switch with cover

Ejector SEAC is delivered as a ready-to-connect product.

Available accessoires: holder (ejector adapter)

## Ordering Data Ejectors with Active Blow Off SEAC

Type	Part no.
SEAC 10	10.02.02.03875
SEAC 10 VE-SH	10.02.02.03876

## Ordering Data Accessories Ejectors with Active Blow Off SEAC

Type		Part no.
Ejector adapter	ADP-EJ 45.5x21x44-G1/4-IG SEAC VA-S	10.02.02.03483
Ejector adapter	ADP-EJ 45.5x21x44-G1/4-IG SEAC VA-L	10.02.02.03484
Ejector adapter	ADP-EJ 38x20x11-G1/4-IG SEAC	10.02.02.04067
Ejector adapter	ADP-EJ 38x20x11-G1/8-IG SEAC	10.02.02.04068

## Technical Data Ejectors with Active Blow Off SEAC

Type	Nozzle diameter [mm]	Degree of evacuation [%]	Suction rate (max.) [l/min]	Suction rate (max.) [m³/h]	Air consumption suction [l/min]*	Max. air consumption blow off [l/min]**	Pressure range (operating pressure) [bar]	Weight [g]
SEAC 10	1.0	85	35	2.1	52	60	4.0 ... 6.0 bar	62
SEAC 10 VE-SH	1.0	85	35	2.1	52	60	4.0 ... 6.0 bar	157

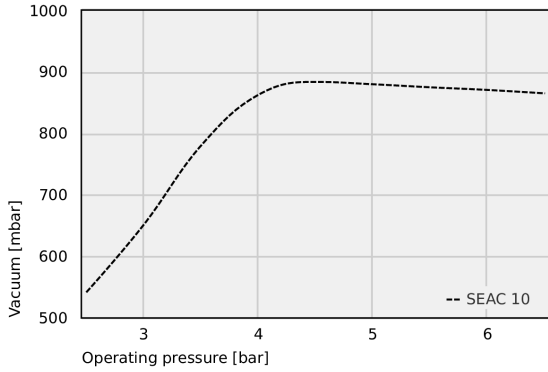
\*At optimal operating pressure (4.5 bar)

\*\*Additional air consumption during blow off

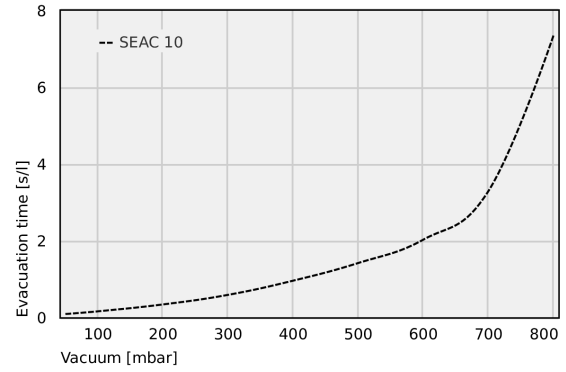
# Ejectors with Active Blow Off SEAC

Suction rate 35 l/min

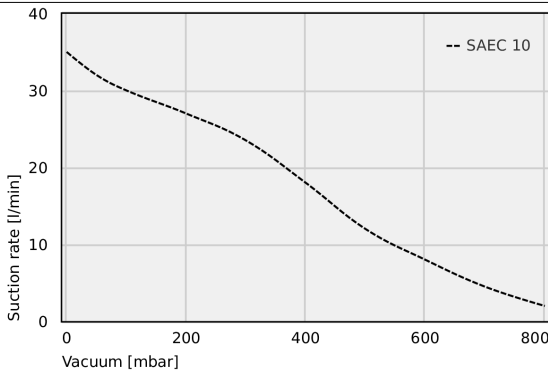
## Performance Data Ejectors with Active Blow Off SEAC



Achievable vacuum at various operating pressures



Evacuation times for various vacuum ranges [s/l]



Suction capacity at various degrees of evacuation [l/min]

## Achievable vacuum at various operating pressures

	2.5	3	3.5	4	4.5	5	5.5	6	6.5
SEAC 10	541.02	650.93	779.86	862.56	883.67	879.82	874.87	870.55	865.00

## Ejectors with Active Blow Off SEAC

Suction rate 35 l/min

### 📄 Evacuation times for various vacuum ranges [s/l]

	50	100	200	300	400	500	600	700	800
SEAC 10	0.09	0.16	0.34	0.59	0.96	1.42	2.03	3.30	7.36

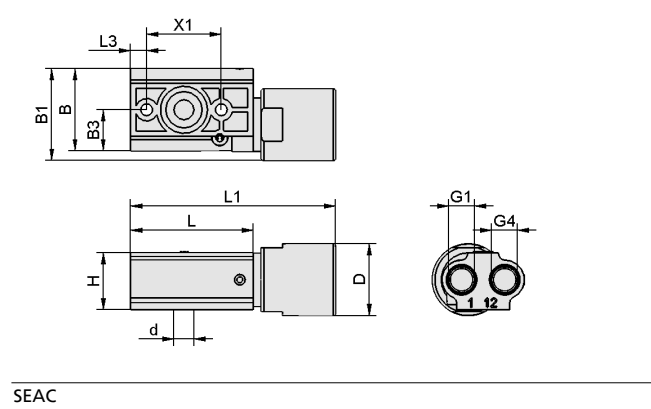
### 📄 Suction capacity at various degrees of evacuation [l/min]

	0	50	100	200	300	400	500	600	700	800
SAEC 10	35	32	30	27	23.5	18	12	8	4.5	2

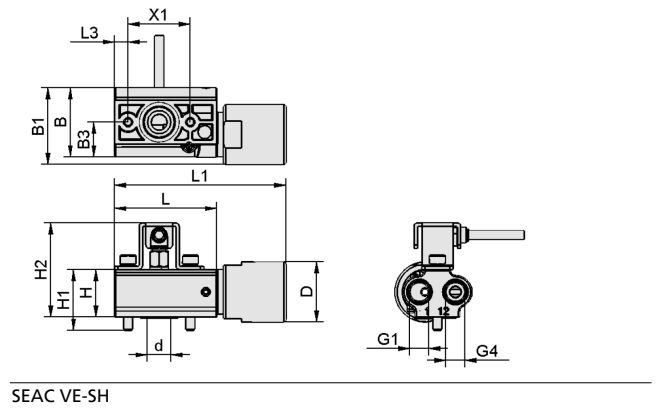
# Ejectors with Active Blow Off SEAC

Suction rate 35 l/min

## Design Data Ejectors with Active Blow Off SEAC



SEAC



SEAC VE-SH

# Ejectors with Active Blow Off SEAC

Suction rate 35 l/min

## Design Data Ejectors with Active Blow Off SEAC

Type	B [mm]	B1 [mm]	B3 [mm]	d [mm]	D [mm]	G1	G4	H [mm]	H1 [mm]	H2 [mm]	L [mm]	L1 [mm]	L3 [mm]	X1 [mm]
SEAC 10	31	34.6	15.5	7.5	27	G1/8"-F	G1/8"-F	21.5	-	-	46	77	6	28
SEAC 10 VE-SH	31	34.6	15.5	7.5	27	G1/8"-F	G1/8"-F	21.5	27.5	42.5	46	77	6	28