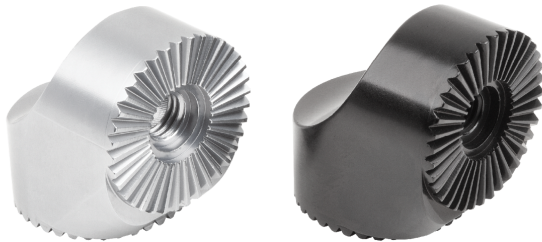
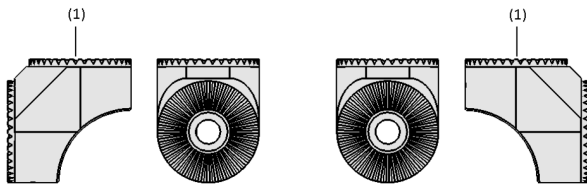


Elbow Connectors (Geared) SXT-ANG

Gearing with 10° pitch



Elbow Connectors (Geared) SXT-ANG



System Design Elbow Connectors (Geared) SXT-ANG



Elbow connector (geared) SXT-ANG when handling a formed sheet metal part

Suitability for Industry Specific Applications

Applications

- Elbow connectors with gearing for connection of holders on round tube toolings for flexibly adjustable, modular lightweight system
- Wide range of uses for numerous applications with a minimum number of different components with gearing
- Suitable for all common tooling and quick-change systems for press shops and car body construction

Design

- Elbow connector with gearing in 10° pitch
- Safe mounting, as black (F) and gray (M) components are always mounted alternately (1)

Product Highlights

- Durable, lightweight elbow connectors with gearings (form-fitting) optimized for highly dynamic processes with maximum output rate
- Lean portfolio enables simple assembly of a wide variety of modules
- Compatible with common tooling systems and flexible to use thanks to angle adjustment with 10° pitch

Elbow Connectors (Geared) SXT-ANG

Gearing with 10° pitch

Designation Code Elbow Connectors (Geared) SXT-ANG

SXT-ANG	–	GB2	–	F
1		2		3

1 – Abbreviated designation

Code	Type
SXT-ANG	Angle connectors (toothed)

2 – Shape

Code	Version
GB2	Toothed on both sides

3 – Shape

Code	Version
F	Female
M	Male

Selection Matrix Mounting Set SXT

Components 1	Components 2	Screw length	Mounting set
SXT-CON-GB-M-A3 / SXT-CON-GB-M-A5	SXT-CON-GB-F-D25	M8x80	10.07.13.00181
	SXT-CON-GB-F-11IN	M8x80	10.07.13.00181
	SXT-CON-GB-F-D40	M8x90	10.07.13.00182
	SXT-EXT- ...	M8x60	10.07.13.00177
	SXT-ANG-GB2-F	M8x55	10.07.13.00176
SXT-CON-GB-M-D25	SXT-CON-GB-F-D25	M8x70	10.07.13.00179
	SXT-CON-GB-F-11IN	M8x70	10.07.13.00179
	SXT-CON-GB-F-D40	M8x80	10.07.13.00181
	SXT-EXT- ...	M8x50	10.07.13.00175
	SXT-ANG-GB2-F	M8x50	10.07.13.00175
SXT-CON-GB-M-D40	SXT-CON-GB-F-D25	M8x80	10.07.13.00181
	SXT-CON-GB-F-11IN	M8x80	10.07.13.00181
	SXT-CON-GB-F-D40	M8x90	10.07.13.00182
	SXT-EXT- ...	M8x60	10.07.13.00177
	SXT-ANG-GB2-F	M8x60	10.07.13.00177
SXT-CON-GB-MO-1,5IN / SXT-CON-GB-MO-D40	SXT-CON-GB-F-D25	M8x90	10.07.13.00182
	SXT-CON-GB-F-11IN	M8x90	10.07.13.00182
	SXT-CON-GB-F-D40	M8x100	10.07.13.00183
	SXT-EXT- ...	M8x70	10.07.13.00179
	SXT-ANG-GB2-F	M8x65	10.07.13.00178
SXT-ANG-GB2-M	SXT-CON-GB-F-D25	M8x45	10.07.13.00174
	SXT-CON-GB-F-11IN	M8x45	10.07.13.00174
	SXT-CON-GB-F-D40	M8x55	10.07.13.00176
	SXT-EXT- ...	M8x30	10.07.13.00173
	SXT-ANG-GB2-F	M8x25	10.07.13.00172

The angle pieces (geared) SXT-ANG are delivered as individual parts.
The following ordering steps are necessary to obtain a complete assembly:

- M-component (grey) of the connections SXT-CON-GB, angle pieces SXT-ANG or extensions SXT-EXT
- F-component (black) of the connections SXT-CON-GB, angle pieces SXT-ANG or extensions SXT-EXT
- Mounting set SXT - consisting of screws, washers and springs

Ordering Data Elbow Connectors (Geared) SXT-ANG

Type	Part no.
SXT-ANG-GB2-F	10.07.13.00121
SXT-ANG-GB2-M	10.07.13.00120

Elbow Connectors (Geared) SXT-ANG

Gearing with 10° pitch

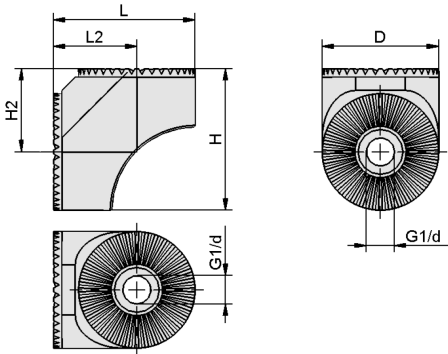
Technical Data Elbow Connectors (Geared) SXT-ANG

Type	Weight [g]	Material
SXT-ANG-GB2-F	90	Aluminum
SXT-ANG-GB2-M	80	Aluminum

Elbow Connectors (Geared) SXT-ANG

Gearing with 10° pitch

Design Data Elbow Connectors (Geared) SXT-ANG



SXT-ANG

Elbow Connectors (Geared) SXT-ANG

Gearing with 10° pitch

Design Data Elbow Connectors (Geared) SXT-ANG

Type	D [mm]	d [mm]	G1	H [mm]	H2 [mm]	L [mm]	L2 [mm]
SXT-ANG-GB2-F	35	-	M8-F	42.5	25	42.5	25
SXT-ANG-GB2-M	35	9	-	42.5	25	42.5	25

Multimedia product presentation

Medium	Link
Product video	https://vimeo.com/408410930