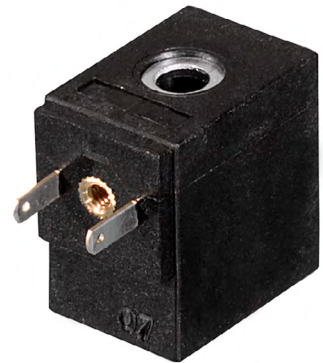


DESCRIPTION

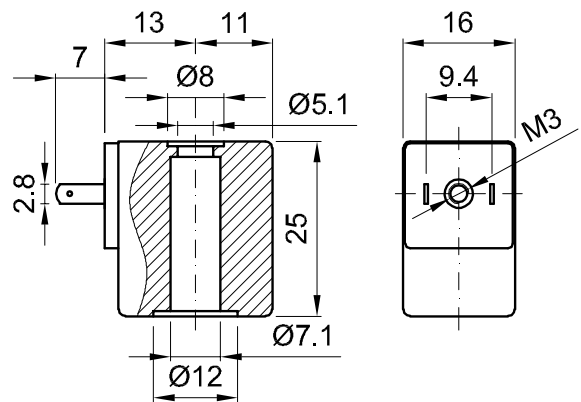
Encapsulated coil incorporating the magnetic circuit.
 Fixing by means of a central nut.
 Electrical connection according to AMP 2.8x0.5.



CONSTRUCTION

Class F encapsulation Fibre-glass Nylon
 Magnetic circuit Zinc-plated steel
 Windings Copper covered with class H insulation

OPTIONS: Electrical connection through cable
 Special powers and voltages
 Self-extinguish



CODE	Direct Current Voltage (V)	Power ① Direct Current (W)	Voltage tolerance	Connector	Service ED
60014	12	4	±5%	10348040	100%
60048	12	8			25%
60114	24	4			100%
60148	24	8			25%
60012	12	2			100%
60112	24	2			100%

① Considering nominal voltage and an ambient temperature of 20°C