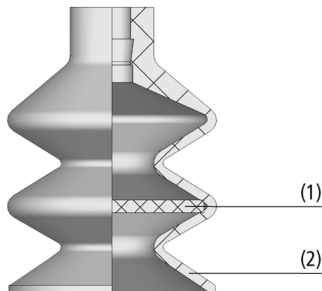


Filter Discs FD

Diameter (Ø) from 16 mm to 55 mm



Filter Discs FD



System Design Filter Discs FD



Bellows suction cups with filter discs FD being used for handling wooden boards

Suitability for Industry Specific Applications

Applications

- Filter disc to protect the vacuum system from dust and dirt, without changing the flow restrictor
- Filter disc prevents the workpiece from being sucked into the suction cup

Design

- Filter disc (1) made of porous polyethylene (sinter PE)
- Filter pore size 120 µm
- Can be placed directly into the suction cup (2)

Product Highlights

- Filters out dirt directly on the workpiece
- Can be used in many different ways with the suction cup series FGA and FG thanks to a wide range of diameters
- Stable filter disc increases the inherent stability of the suction cup and prevents the workpiece from being sucked in
- Easy insertion in the fold of the suction cup

Filter Discs FD

Diameter (Ø) from 16 mm to 55 mm

Designation Code Filter Discs FD

FD	-	16	-	120
1		2		3

1 - Abbreviated designation

Code	Version
FD	FD

2 - Diameter

Code	Diameter in mm
16...55	ø 16 to 55

3 - Porosity

Code	Porosity in µm
120	120

Filter discs FD is delivered in the desired diameter.

Ordering Data Filter Discs FD

Type	Part no.
FD 16 120	10.01.06.02565
FD 18 120	10.01.06.02567
FD 22 120	10.01.06.02566
FD 27 120	10.01.06.02571
FD 30 120	10.01.06.02568
FD 34 120	10.01.06.02572
FD 38 120	10.01.06.02569
FD 44 120	10.01.06.02573
FD 55 120	10.01.06.02570

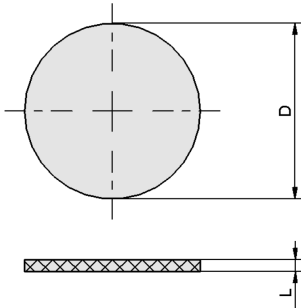
Technical Data Filter Discs FD

Type	Filter pore size [µm]	For suction cup type
FD 16 120	120	FG20/FGA20
FD 18 120	120	FG25/FGA25
FD 22 120	120	FGA 22
FD 27 120	120	FG 32
FD 30 120	120	FGA 33
FD 34 120	120	FG 42
FD 38 120	120	FGA 43
FD 44 120	120	FG 52
FD 55 120	120	FGA 53

Filter Discs FD

Diameter (\varnothing) from 16 mm to 55 mm

Design Data Filter Discs FD



FD

Filter Discs FD

Diameter (Ø) from 16 mm to 55 mm

Design Data Filter Discs FD

Type	D [mm]	L [mm]
FD 16 120	16	1.5
FD 18 120	18	1.5
FD 22 120	22	1.5
FD 27 120	27	1.5
FD 30 120	30	1.5
FD 34 120	34	1.5
FD 38 120	38	1.5
FD 44 120	44	1.5
FD 55 120	55	1.5