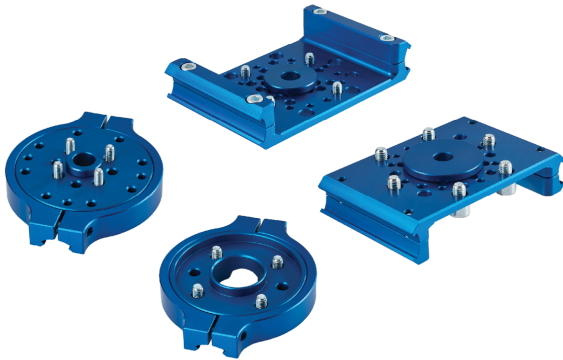
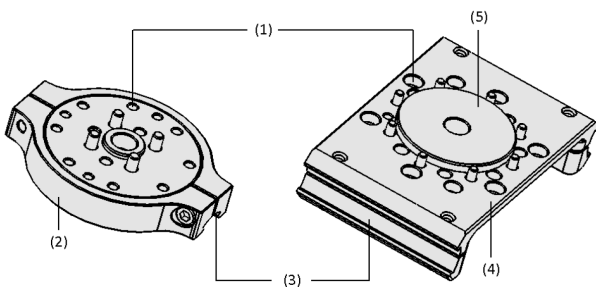


## Flange Sets PXT

Flanges for connecting the gripper to the robot



Flange Sets PXT



System design Flange Sets PXT



Modular gripper system PXT handling a glass pane

### Suitability for industry specific applications

#### Applications

- Flange sets for easy connection of gripping systems to lightweight robots
- Wide range of applications for automated workpiece handling
- Suitable for a wide range of different robot types
- Double beam flange can be used on both sides for minimum overall heights

#### Design

- Suitable flange pattern (1) for common lightweight robots
- Flange ring for the connection of a single beam (2)
- Clamping (3) for easy mounting
- Flange for connecting double beams (4)
- Robot specific centering disk (5) as mounting aid

#### Product highlights

- Simple clamping enables fast assembly
- Low profile flange ensures low interference contour
- Flange patterns suitable for common lightweight robots
- Different flange inserts allow quick change between different robot types

## Flange Sets PXT

Flanges for connecting the gripper to the robot

### Ordering data Flange Sets PXT

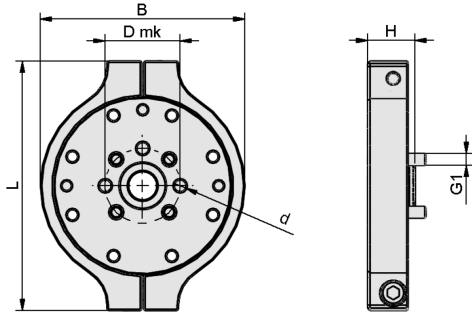
Type	Part no.
SET PXT 31.5 9409-1 1LT FANUC	10.01.49.00012
SET PXT 64 1LT FANUC	10.01.49.00013
SET PXT 50 9409-1 1LT UR	10.01.49.00014
SET PXT 63 9409-1 1LT YASKAWA	10.01.49.00015
SET PXT 1LT UNI	10.01.49.00016

Type	Part no.
SET PXT 31.5 9409-1 2LT FANUC	10.01.49.00024
SET PXT 40 9409-1 2LT RETHINK	10.01.49.00025
SET PXT 50 9409-1 2LT UR	10.01.49.00026
SET PXT 63 9409-1 2LT YASKAWA	10.01.49.00027
SET PXT 64 2LT FANUC	10.01.49.00028
SET PXT 80 9409-1 2LT YASKAWA	10.01.49.00029

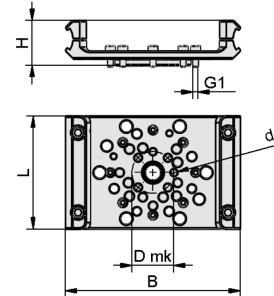
## Flange Sets PXT

Flanges for connecting the gripper to the robot

### Design data Flange Sets PXT



10.01.49.00012...00016 SET PXT



10.01.49.00024...00029 SET PXT

## Flange Sets PXT

Flanges for connecting the gripper to the robot

### Design data Flange Sets PXT

Type	B [mm]	d [mm]	Dmk [mm]	G1	H [mm]	L [mm]
SET PXT 31.5 9409-1 1LT FANUC	86	5.1	31.5	M5-M	20.0	105
SET PXT 64 1LT FANUC	86	4.1	64.0	M4-M	22.0	105
SET PXT 50 9409-1 1LT UR	86	6.1	50.0	M6-M	17.0	105
SET PXT 63 9409-1 1LT YASKAWA	86	6.1	63.0	M6-M	22.5	105
SET PXT 1LT UNI	86	-	-	-	17.5	105

Type	B [mm]	d [mm]	Dmk [mm]	G1	H [mm]	L [mm]
SET PXT 31.5 9409-1 2LT FANUC	131	5	31.5	M5-M	29	85
SET PXT 40 9409-1 2LT RETHINK	131	6	40.0	M6-M	29	85
SET PXT 50 9409-1 2LT UR	131	6	50.0	M6-M	29	85
SET PXT 63 9409-1 2LT YASKAWA	131	6	63.0	M6-M	29	85
SET PXT 64 2LT FANUC	131	4	64.0	M4-M	34	85
SET PXT 80 9409-1 2LT YASKAWA	131	8	80.0	M8-M	34	85

### Multimedia product presentation

Medium	Link
Product video	<a href="https://vimeo.com/547933703">https://vimeo.com/547933703</a>