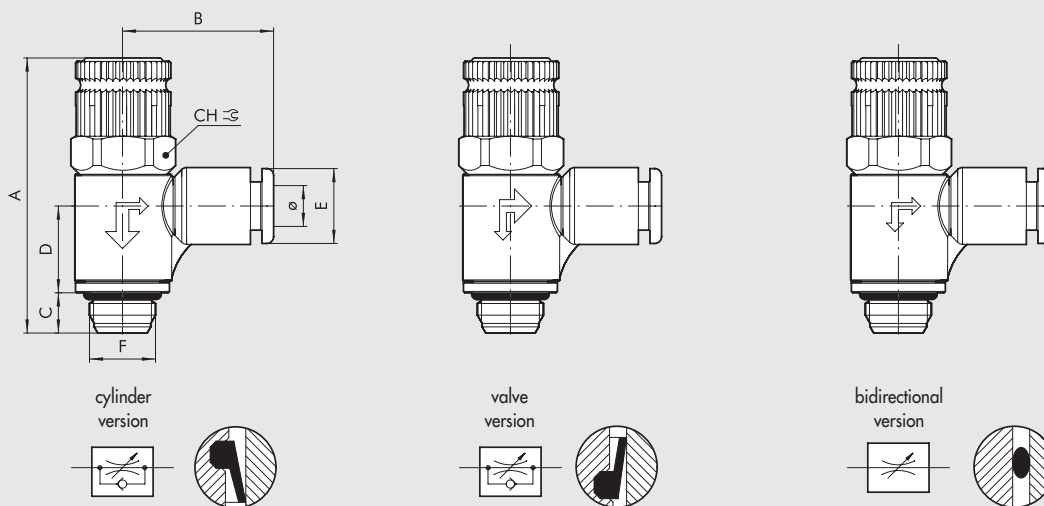


MRF PUSH-LOCK



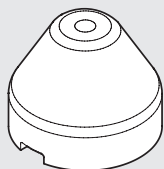
Code	Description	F	Ø	CH	A min	A max	B	C	D	E
9026002C	MRF PTC 4 1/8	1/8	4	14	41.2	43.4	21	6	12.9	9.2
9026102V	MRF PTV 4 1/8	1/8	4	14	41.2	43.4	21	6	12.9	9.2
9026602B	MRF PTB 4 1/8	1/8	4	14	41.2	43.4	21	6	12.9	9.2
9026006C	MRF PTC 6 1/8	1/8	6	14	41.2	43.4	22.3	6	12.9	11.3
9026106V	MRF PTV 6 1/8	1/8	6	14	41.2	43.4	22.3	6	12.9	11.3
9026606B	MRF PTB 6 1/8	1/8	6	14	41.2	43.4	22.3	6	12.9	11.3
9026008C	MRF PTC 8 1/8	1/8	8	14	41.2	43.4	25.6	6	12.9	13.8
9026108V	MRF PTV 8 1/8	1/8	8	14	41.2	43.4	25.6	6	12.9	13.8
9026608B	MRF PTB 8 1/8	1/8	8	14	41.2	43.4	25.6	6	12.9	13.8
9026007C	MRF PTC 6 1/4	1/4	6	15	46.6	48.8	24.3	8	15	11.3
9026107V	MRF PTV 6 1/4	1/4	6	15	46.6	48.8	24.3	8	15	11.3
9026607B	MRF PTB 6 1/4	1/4	6	15	46.6	48.8	24.3	8	15	11.3
9026009C	MRF PTC 8 1/4	1/4	8	15	46.6	48.8	27.2	8	15	13.8
9026109V	MRF PTV 8 1/4	1/4	8	15	46.6	48.8	27.2	8	15	13.8
9026609B	MRF PTB 8 1/4	1/4	8	15	46.6	48.8	27.2	8	15	13.8
9026011C	MRF PTC 10 1/4	1/4	10	15	46.6	48.8	28.6	8	15	16
9026111V	MRF PTV 10 1/4	1/4	10	15	46.6	48.8	28.6	8	15	16
9026611B	MRF PTB 10 1/4	1/4	10	15	46.6	48.8	28.6	8	15	16
9026014C	MRF PTC 12 1/4	1/4	12	15	46.6	48.8	31	8	15	19.5
9026114V	MRF PTV 12 1/4	1/4	12	15	46.6	48.8	31	8	15	19.5
9026614B	MRF PTB 12 1/4	1/4	12	15	46.6	48.8	31	8	15	19.5

SYNOPTIC, SIZES AND VERSIONS

M R F FAMILY	P TYPE	T RING	C RING	4 Ø PIPE	1/8 Ø THREAD
Flow microregulator	P Push-lock	T Technopolymer with push-in fitting	C For cylinder V For valve B Bidirectional	4: Ø 4 6: Ø 6 8: Ø 8 10: Ø 10 12: Ø 12	1/8: 1/8 1/4: 1/4

ACCESSORIES MRF PUSH-LOCK

ANTI-TAMPERING KNOB



Code	Description
9200703	Anti-tampering knob

NOTE: Remove the knob on the Push-Lock MRF by pulling outwards. Fit on the anti-tampering knob and make the necessary settings.

When the MRF has been set, press the knob firmly until it locks in position. If the MRF needs to be recalibrated, remove the anti-tampering knob and push laterally using a screwdriver.