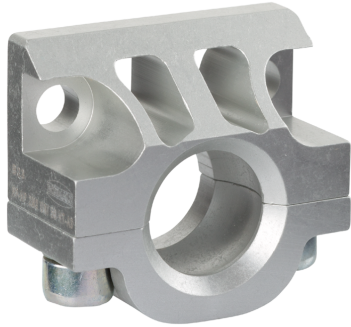
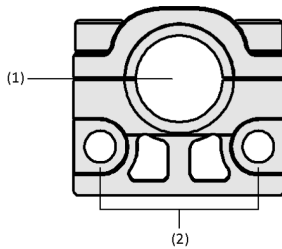


Holder system for Holder with Ball Head HP-HT

Connection for holder tooling HT-A3



Holder system for Holder with Ball Head HP-HT



System Design Holder system for Holder with Ball Head HP-HT



Suitability for Industry Specific Applications

Applications

- Flexible adjustable lightweight holder for dynamic processes in vacuum automation
- Holder for setting up lightweight suction spiders with Schmalz vacuum components
- Universal holder for mounting tooling holders HT-A3 on slot profiles
- In combination with holders HT-SG...E, suitable for setting up grippers with decentralized vacuum generation

Design

- Clampable connection of ball head A3 with 28.5 mm (1)
- Lateral connection to profile with T-slot (2)

Product Highlights

- Lightweight aluminum design minimizes gripper weight and load limit
- Stable design for high dynamic load enables fast traversing speeds
- Versatile use on standard slot profiles due to flexible connection via slot nut
- Clampable connection for HT-A3 tooling holder enables universal use of existing holder systems

Holder system for Holder with Ball Head HP-HT

Connection for holder tooling HT-A3

Designation Code Holder system for Holder with Ball Head HP-HT

HP-HT 1	-	2M8 2	-	56 3	-	HT-A3 4
------------	---	----------	---	---------	---	------------

1 – Abbreviated designation

Code	Version
HP-HT	Holder adapter for ball head

2 – Connection profile

Code	Connection
2M8	2 screws M8

3 – Width

Code	Width in mm
56	56

4 – Use

Code	Use
HT-A3	Holder tooling ball head 28.5

The holders HT-SG for suction cups are supplied as a ready-to-connect product. The scope of delivery for the variants with external threads additionally includes lock nuts.

Available accessories: mounting set

Ordering Data Holder system for Holder with Ball Head HP-HT

Type	Part no.
HP-HT 2M8 56 HT-A3	10.07.06.00733

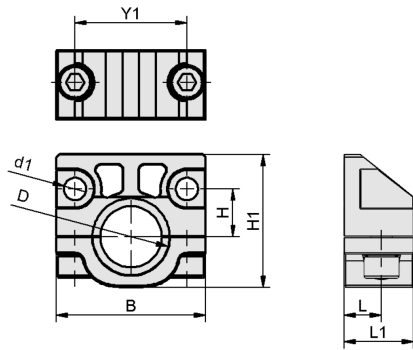
Ordering Data Accessories Holder system for Holder with Ball Head HP-HT

Accessories	Part no.
Assembly set	SET HP 2xM8 T 10.07.06.00738

Holder system for Holder with Ball Head HP-HT

Connection for holder tooling HT-A3

Design Data Holder system for Holder with Ball Head HP-HT



HP-HT

Holder system for Holder with Ball Head HP-HT

Connection for holder tooling HT-A3

Design Data Holder system for Holder with Ball Head HP-HT

Type	B [mm]	D [mm]	d1 [mm]	H [mm]	H1 [mm]	L [mm]	L1 [mm]	Y1 [mm]
HP-HT 2M8 56 HT-A3	56	28.5	8.4	18	50	14	26	42