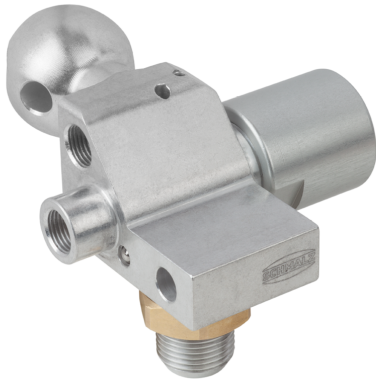
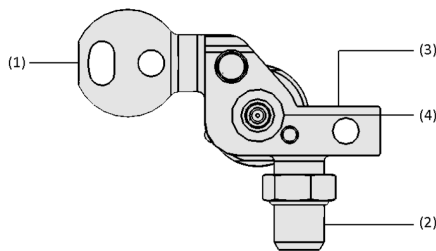


Holders for Suction Cups HT-SG I

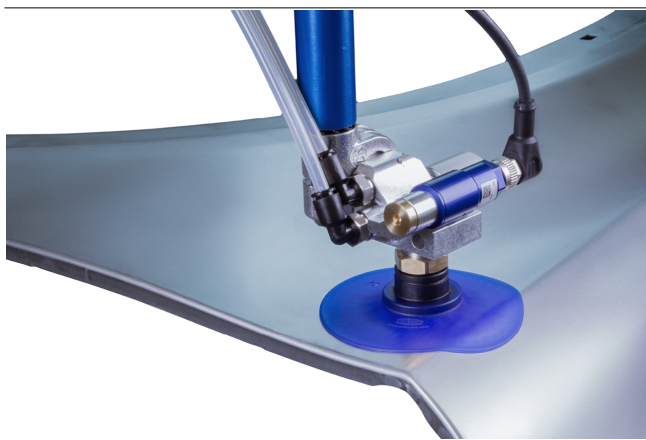
Suction cup connection for G-, NPT-, M-threads and rectangular adapters



Holders for Suction Cups HT-SG I



System Design Holders for Suction Cups HT-SG I



Holders for suction cup HT-SG I with vacuum switch VSi and bell-shaped suction cups SAX for handling sheet metal parts

Suitability for Industry Specific Applications

Applications

- Holder for mounting suction cups on tooling beams
- For vacuum suction cups with connectors for G, NPT and M threads and right-angled adapters
- Suitable for use in confined spaces, as no additional component is required for vacuum generation

Design

- Version HT-SG...I (integrated vacuum generation)
- Connection for tooling beams: Ball (A3: \varnothing 28.5 mm; A5: \varnothing 32 mm) or "Apple-Core" cylinder (A2: \varnothing 19 mm) (1)
- Connection for vacuum suction cup (2), vacuum switch (3) and integrated vacuum nozzle (4)

Product Highlights

- Flexible use on tooling traverses, fast exchange and short set-up times
- Thanks to lightweight aluminium construction suitable for dynamic processes and high throughputs
- Versatile use for vacuum suction cups with various G, NPT, M threads and rectangular adapters (quick-change system)
- Customer-specific and quickly configurable, e.g. with decentralised vacuum sensors and suction cups

Holders for Suction Cups HT-SG I

Suction cup connection for G-, NPT-, M-threads and rectangular adapters

Designation Code Holders for Suction Cups HT-SG I



1 – Abbreviated designation

Code	Type
HT-SG	Holder for suction cup, integrated vacuum generation

2 – Tooling connection

Code	Connection in mm
A2	ø 19, pin
A3	ø 28.5, ball
A5	ø 32, ball

3 – Shape

Code	Version
I	Integrated ejector

4 – Nozzle size

Code	Diameter in mm
10	ø 1

5 – Width

Code	Width in mm
31	31
46	46

6 – Suction cup connection

Code	Connection
G3/8-AG	G3/8-AG (AG = male (M))
NPT3/8-AG	NPT3/8-AG
RA	Right-angled adapter

7 – Blow off function

Code	Version
AB	Active blow off
AV	Atmospheric ventilation

8 – Vacuum monitoring

Code	Version
VS	With digital vacuum switch

The holders for suction cups HT-SG I are delivered as a ready-to-connect product.

Available accessories: push-in fittings STV-GE

Holders for Suction Cups HT-SG I

Suction cup connection for G-, NPT-, M-threads and rectangular adapters

Ordering Data Holders for Suction Cups HT-SG I

Type	Part no.
HT-SG A2 10 31 G3/8-AG AB	10.07.06.00497
HT-SG A2 10 31 G3/8-AG AB VS	10.07.06.00542
HT-SG A2 10 31 G3/8-AG AV	10.07.06.00589
HT-SG A2 10 31 G3/8-AG AV VS	10.07.06.00590
HT-SG A2 10 31 NPT3/8-AG AB	10.07.06.00500
HT-SG A2 10 31 NPT3/8-AG AB VS	10.07.06.00548
HT-SG A2 10 31 NPT3/8-AG AV	10.07.06.00591
HT-SG A2 10 31 NPT3/8-AG AV VS	10.07.06.00592
HT-SG A2 10 46 RA AB	10.07.06.00487
HT-SG A2 10 46 RA AB VS	10.07.06.00534
HT-SG A2 10 46 RA AV	10.07.06.00587
HT-SG A2 10 46 RA AV VS	10.07.06.00588
HT-SG A3 10 31 G3/8-AG AB	10.07.06.00356
HT-SG A3 10 31 G3/8-AG AB VS	10.07.06.00540
HT-SG A3 10 31 G3/8-AG AV	10.07.06.00595
HT-SG A3 10 31 G3/8-AG AV VS	10.07.06.00596
HT-SG A3 10 31 NPT3/8-AG AB	10.07.06.00498
HT-SG A3 10 31 NPT3/8-AG AB VS	10.07.06.00546
HT-SG A3 10 31 NPT3/8-AG AV	10.07.06.00597
HT-SG A3 10 31 NPT3/8-AG AV VS	10.07.06.00598
HT-SG A3 10 46 RA AB	10.07.06.00354
HT-SG A3 10 46 RA AB VS	10.07.06.00531
HT-SG A3 10 46 RA AV	10.07.06.00593
HT-SG A3 10 46 RA AV VS	10.07.06.00594
HT-SG A5 10 31 G3/8-AG AB	10.07.06.00496
HT-SG A5 10 31 G3/8-AG AB VS	10.07.06.00541
HT-SG A5 10 31 G3/8-AG AV	10.07.06.00601
HT-SG A5 10 31 G3/8-AG AV VS	10.07.06.00602
HT-SG A5 10 31 NPT3/8-AG AB	10.07.06.00499
HT-SG A5 10 31 NPT3/8-AG AB VS	10.07.06.00547
HT-SG A5 10 31 NPT3/8-AG AV	10.07.06.00603
HT-SG A5 10 31 NPT3/8-AG AV VS	10.07.06.00604
HT-SG A5 10 46 RA AB	10.07.06.00486
HT-SG A5 10 46 RA AB VS	10.07.06.00533
HT-SG A5 10 46 RA AV	10.07.06.00599
HT-SG A5 10 46 RA AV VS	10.07.06.00600

Ordering Data Accessories Holders for Suction Cups HT-SG I

Accessories	Part no.
Plug union, straight	STV-GE G1/8-AG 6 10.08.02.00204
Plug union, elbow	STV-W G1/8-AG 6 10.08.02.00288

Holders for Suction Cups HT-SG I

Suction cup connection for G-, NPT-, M-threads and rectangular adapters

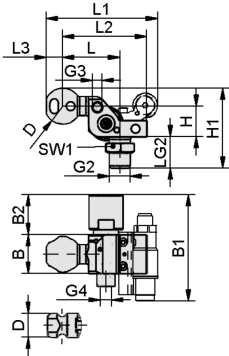
Technical Data Holders for Suction Cups HT-SG I

Type	Weight [g]
HT-SG A2 10 31 G3/8-AG AB	150
HT-SG A2 10 31 G3/8-AG AB VS	232
HT-SG A2 10 31 G3/8-AG AV	144
HT-SG A2 10 31 G3/8-AG AV VS	226
HT-SG A2 10 31 NPT3/8-AG AB	136
HT-SG A2 10 31 NPT3/8-AG AB VS	219
HT-SG A2 10 31 NPT3/8-AG AV	130
HT-SG A2 10 31 NPT3/8-AG AV VS	213
HT-SG A2 10 46 RA AB	150
HT-SG A2 10 46 RA AB VS	232
HT-SG A2 10 46 RA AV	144
HT-SG A2 10 46 RA AV VS	226
HT-SG A3 10 31 G3/8-AG AB	163
HT-SG A3 10 31 G3/8-AG AB VS	245
HT-SG A3 10 31 G3/8-AG AV	157
HT-SG A3 10 31 G3/8-AG AV VS	239
HT-SG A3 10 31 NPT3/8-AG AB	150
HT-SG A3 10 31 NPT3/8-AG AB VS	232
HT-SG A3 10 31 NPT3/8-AG AV	144
HT-SG A3 10 31 NPT3/8-AG AV VS	226
HT-SG A3 10 46 RA AB	164
HT-SG A3 10 46 RA AB VS	246
HT-SG A3 10 46 RA AV	158
HT-SG A3 10 46 RA AV VS	240
HT-SG A5 10 31 G3/8-AG AB	181
HT-SG A5 10 31 G3/8-AG AB VS	263
HT-SG A5 10 31 G3/8-AG AV	175
HT-SG A5 10 31 G3/8-AG AV VS	257
HT-SG A5 10 31 NPT3/8-AG AB	167
HT-SG A5 10 31 NPT3/8-AG AB VS	249
HT-SG A5 10 31 NPT3/8-AG AV	161
HT-SG A5 10 31 NPT3/8-AG AV VS	243
HT-SG A5 10 46 RA AB	181
HT-SG A5 10 46 RA AB VS	263
HT-SG A5 10 46 RA AV	175
HT-SG A5 10 46 RA AV VS	257

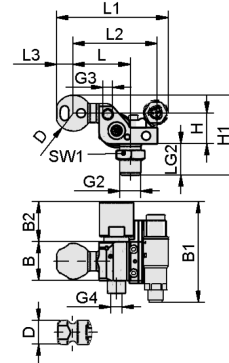
Holders for Suction Cups HT-SG I

Suction cup connection for G-, NPT-, M-threads and rectangular adapters

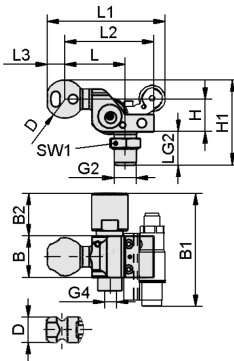
Design Data Holders for Suction Cups HT-SG I



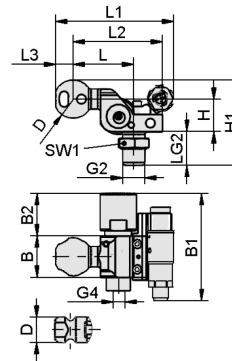
HT-SG I AG AB



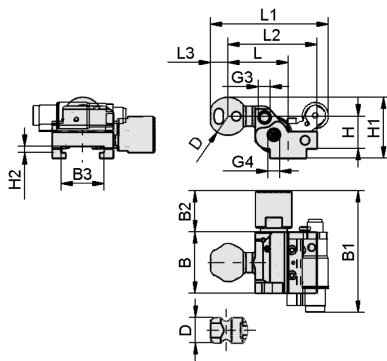
HT-SG I AG AB VS



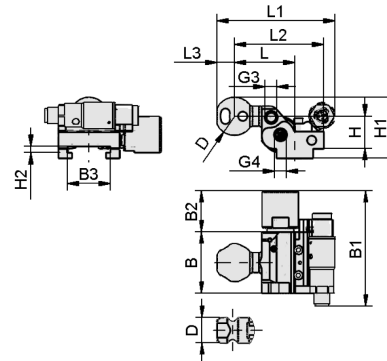
HT-SG I AG AV



HT-SG I AG AV VS



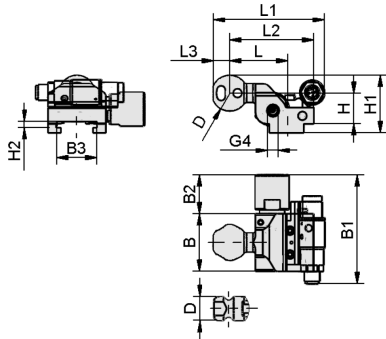
HT-SG I RA AB



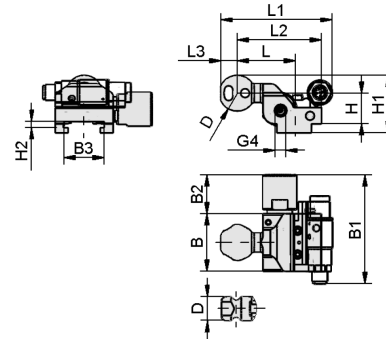
HT-SG I RA AB VS

Holders for Suction Cups HT-SG I

Suction cup connection for G-, NPT-, M-threads and rectangular adapters



HT-SG I RA AV



HT-SG I RA AV VS

Holders for Suction Cups HT-SG I

Suction cup connection for G-, NPT-, M-threads and rectangular adapters

Design Data Holders for Suction Cups HT-SG I

Type	B [mm]	B1 [mm]	B2 [mm]	B3 [mm]	D [mm]	G2	G3	G4	H [mm]	H1 [mm]	H2 [mm]	L [mm]	L1 [mm]	L2 [mm]	L3 [mm]	LG2 [mm]	SW1 [mm]
HT-SG A2 I 10 31 G3/8-AG AB	31	73	32	-	19.0	G3/8-AG	G1/8"-F	G1/8"-F	24.5	59.0	-	39.3	72.5	60.8	12	22	22
HT-SG A2 I 10 31 G3/8-AG AB VS	31	81	32	-	19.0	G3/8-AG	G1/8"-F	G1/8"-F	24.5	59.9	-	39.3	81.1	60.8	12	22	22
HT-SG A2 I 10 31 G3/8-AG AV	31	73	32	-	19.0	G3/8-AG	-	G1/8"-F	24.5	59.0	-	39.3	72.5	60.8	12	22	22
HT-SG A2 I 10 31 G3/8-AG AV VS	31	81	32	-	19.0	G3/8-AG	-	G1/8"-F	24.5	59.9	-	39.3	82.6	60.8	12	22	22
HT-SG A2 I 10 31 NPT3/8-AG AB	31	73	32	-	19.0	NPT3/8-AG	G1/8"-F	G1/8"-F	24.5	52.0	-	39.3	72.5	60.8	12	15	-
HT-SG A2 I 10 31 NPT3/8-AG AB VS	31	81	32	-	19.0	NPT3/8-AG	G1/8"-F	G1/8"-F	24.5	52.9	-	39.3	81.1	60.8	12	15	-
HT-SG A2 I 10 31 NPT3/8-AG AV	31	73	32	-	19.0	NPT3/8-AG	-	G1/8"-F	24.5	52.0	-	39.3	72.5	60.8	12	15	-
HT-SG A2 I 10 31 NPT3/8-AG AV VS	31	81	32	-	19.0	NPT3/8-AG	-	G1/8"-F	24.5	52.9	-	39.3	82.6	60.8	12	15	-
HT-SG A2 I 10 46 RA AB	46	77	31	32	19.0	-	G1/8"-F	G1/8"-F	24.5	41.2	4.8	39.3	72.5	60.8	12	-	-
HT-SG A2 I 10 46 RA AB VS	46	87	31	32	19.0	-	G1/8"-F	G1/8"-F	24.5	42.1	4.8	39.3	81.1	60.8	12	-	-
HT-SG A2 I 10 46 RA AV	46	77	31	32	19.0	-	-	G1/8"-F	24.5	41.2	4.8	40.3	72.5	60.8	12	-	-
HT-SG A2 I 10 46 RA AV VS	46	87	31	32	19.0	-	-	G1/8"-F	24.5	42.1	4.8	40.3	81.1	60.8	12	-	-
HT-SG A3 I 10 31 G3/8-AG AB	31	73	32	-	28.5	G3/8-AG	G1/8"-F	G1/8"-F	24.5	63.8	-	45.5	80.0	67.0	13	22	22
HT-SG A3 I 10 31 G3/8-AG AB VS	31	81	32	-	28.5	G3/8-AG	G1/8"-F	G1/8"-F	24.5	63.8	-	45.5	88.6	67.0	13	22	22
HT-SG A3 I 10 31 G3/8-AG AV	31	73	32	-	28.5	G3/8-AG	-	G1/8"-F	24.5	63.8	-	45.5	80.0	67.0	13	22	22

Holders for Suction Cups HT-SG I

Suction cup connection for G-, NPT-, M-threads and rectangular adapters

Type	B [mm]	B1 [mm]	B2 [mm]	B3 [mm]	D [mm]	G2	G3	G4	H [mm]	H1 [mm]	H2 [mm]	L [mm]	L1 [mm]	L2 [mm]	L3 [mm]	LG2 [mm]	SW1 [mm]
HT-SG A3 I 10 31 G3/8-AG AV VS	31	81	32	-	28.5	G3/8-AG	-	G1/8"-F	24.5	63.8	-	45.5	90.1	67.0	13	22	22
HT-SG A3 I 10 31 NPT3/8-AG AB	31	73	32	-	28.5	NPT3/8-AG	G1/8"-F	G1/8"-F	24.5	56.8	-	45.5	80.0	67.0	13	15	-
HT-SG A3 I 10 31 NPT3/8-AG AB VS	31	81	32	-	28.5	NPT3/8-AG	G1/8"-F	G1/8"-F	24.5	56.8	-	45.5	88.6	67.0	13	15	-
HT-SG A3 I 10 31 NPT3/8-AG AV	31	73	32	-	28.5	NPT3/8-AG	-	G1/8"-F	24.5	56.8	-	45.5	80.0	67.0	13	15	-
HT-SG A3 I 10 31 NPT3/8-AG AV VS	31	81	32	-	28.5	NPT3/8-AG	-	G1/8"-F	24.5	56.8	-	45.5	90.1	67.0	13	15	-
HT-SG A3 I 10 46 RA AB	46	77	31	32	28.5	-	G1/8"-F	G1/8"-F	24.5	46.0	4.8	45.5	80.0	67.0	13	-	-
HT-SG A3 I 10 46 RA AB VS	46	87	31	32	28.5	-	G1/8"-F	G1/8"-F	24.5	46.0	4.8	45.5	88.6	67.0	13	-	-
HT-SG A3 I 10 46 RA AV	46	77	31	32	28.5	-	-	G1/8"-F	24.5	46.0	4.8	46.5	80.0	67.0	13	-	-
HT-SG A3 I 10 46 RA AV VS	46	87	31	32	28.5	-	-	G1/8"-F	24.5	46.0	4.8	46.5	88.6	67.0	13	-	-
HT-SG A5 I 10 31 G3/8-AG AB	31	73	32	-	32.0	G3/8-AG	G1/8"-F	G1/8"-F	24.5	65.5	-	45.5	82.0	67.0	15	22	22
HT-SG A5 I 10 31 G3/8-AG AB VS	31	81	32	-	32.0	G3/8-AG	G1/8"-F	G1/8"-F	24.5	65.5	-	45.5	90.6	67.0	15	22	22
HT-SG A5 I 10 31 G3/8-AG AV	31	73	32	-	32.0	G3/8-AG	-	G1/8"-F	24.5	65.5	-	45.5	82.0	67.0	15	22	22
HT-SG A5 I 10 31 G3/8-AG AV VS	31	81	32	-	32.0	G3/8-AG	-	G1/8"-F	24.5	65.5	-	45.5	92.1	67.0	15	22	22
HT-SG A5 I 10 31 NPT3/8-AG AB	31	73	32	-	32.0	NPT3/8-AG	G1/8"-F	G1/8"-F	24.5	58.5	-	45.5	82.0	67.0	15	15	-
HT-SG A5 I 10 31 NPT3/8-AG AB VS	31	81	32	-	32.0	NPT3/8-AG	G1/8"-F	G1/8"-F	24.5	58.5	-	45.5	90.6	67.0	15	15	-

Holders for Suction Cups HT-SG I

Suction cup connection for G-, NPT-, M-threads and rectangular adapters

Type	B [mm]	B1 [mm]	B2 [mm]	B3 [mm]	D [mm]	G2	G3	G4	H [mm]	H1 [mm]	H2 [mm]	L [mm]	L1 [mm]	L2 [mm]	L3 [mm]	LG2 [mm]	SW1 [mm]
HT-SG A5 I 10 31 NPT3/8- AG AV	31	73	32	-	32.0	NPT3/8- AG	-	G1/8"-F	24.5	58.5	-	45.5	82.0	67.0	15	15	-
HT-SG A5 I 10 31 NPT3/8- AG AV VS	31	81	32	-	32.0	NPT3/8- AG	-	G1/8"-F	24.5	58.5	-	45.5	92.1	67.0	15	15	-
HT-SG A5 I 10 46 RA AB	46	77	31	32	32.0	-	G1/8"-F	G1/8"-F	24.5	47.7	4.8	45.5	82.0	67.0	15	-	-
HT-SG A5 I 10 46 RA AB VS	46	87	31	32	32.0	-	G1/8"-F	G1/8"-F	24.5	47.7	4.8	45.5	90.6	67.0	15	-	-
HT-SG A5 I 10 46 RA AV	46	77	31	32	32.0	-	-	G1/8"-F	24.5	47.7	4.8	46.5	82.0	67.0	15	-	-
HT-SG A5 I 10 46 RA AV VS	46	87	31	32	32.0	-	-	G1/8"-F	24.5	47.7	4.8	46.5	90.6	67.0	15	-	-