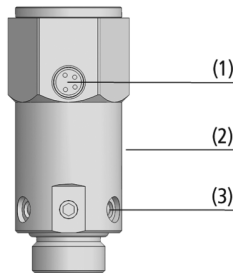


Inline Valves IV

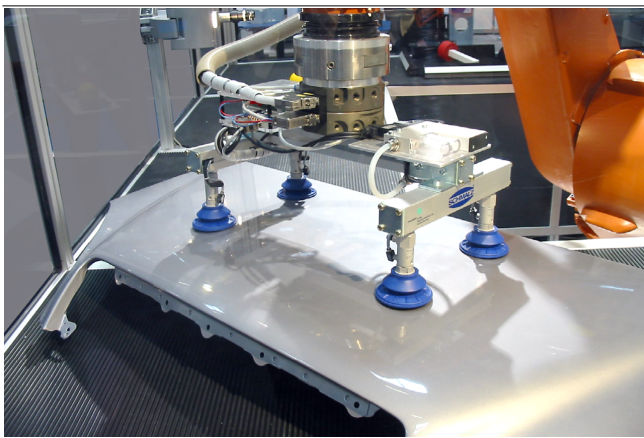
Nominal diameter 3 mm



Inline Valves IV



System Design Inline Valves IV



Suction cups with inline valves IV being used for handling carbody parts

Suitability for Industry Specific Applications

Applications

- Inline valve for deactivation of unused suction cups
- Individual control of the suction cups in a "vacuum carpet", e.g. when order picking
- System monitoring in vacuum spiders by activation and deactivation of suction cups

Design

- Attachment facility for vacuum sensor
- External body made of aluminum (2)
- Integrated filter (3) for ventilation
- 4-pin M8 connector (1)
- Nominal diameter 3 mm and nominal flow rate 2 m³/h

Product Highlights

- Direct mounting on the suction cup enables control of single suction cups
- Very compact design and easy to install
- Screen against contamination increases functional reliability
- Decentralized control and system monitoring (optional) for more process safety and less downtime

Inline Valves IV

Nominal diameter 3 mm

Designation Code Inline Valves IV

| | | | | | | | | | | |
|-----------|---|----------|---|------------|---|----------------|---|----------------|---|---------------|
| IV | - | 3 | - | 3/2 | - | G3/8-IG | - | G3/8-AG | - | 24V-DC |
| 1 | | 2 | | 3 | | 4 | | 5 | | 6 |

1 – Abbreviated designation

| Code | Version |
|------|---------|
| IV | IV |

2 – Nozzle size

| Code | Nozzle size in mm |
|------|-------------------|
| 3 | 3 |

3 – Variant

| Code | Type |
|------|---------------|
| 3/2 | 3/2-way valve |

4 – Vacuum connection

| Code | Connection |
|---------|---------------------------|
| G1/4-IG | G1/4-IG (IG = female (F)) |
| G3/8-IG | G3/8-IG |

5 – Suction cup connection

| Code | Connection |
|---------|-------------------------|
| G3/8-AG | G3/8-AG (AG = male (M)) |

6 – Voltage

| Code | Voltage in V |
|--------|----------------|
| 24V-DC | Direct current |

Inline valve IV is delivered as a ready-to-connect product (without connection cable).

Available accessories: connection cable, vacuum sensors

Ordering Data Inline Valves IV

| Type | Part no. |
|---------------------------------|----------------|
| IV 3 3/2 G1/4-IG G3/8-AG 24V-DC | 10.05.01.00173 |
| IV 3 3/2 G3/8-IG G3/8-AG 24V-DC | 10.05.01.00172 |

Ordering Data Accessories Inline Valves IV

| Type* | | Part no. |
|---|-----------------------|----------------|
| Connection cable, M8 4-pole, 5 m, PUR, straight | ASK B-M8-4 5000 K-4P | 10.06.02.00031 |
| Connection cable, M8 4-pole, 5 m, PUR, 90° | ASK WB-M8-4 5000 K-4P | 10.06.02.00032 |
| Vacuum sensor analog | VS-V-SA M5-AG | 10.06.02.00224 |
| Vacuum sensor digital | VS-V-SD 60 M5-AG | 10.06.02.00257 |

*See section "Switches and system monitoring" for further details

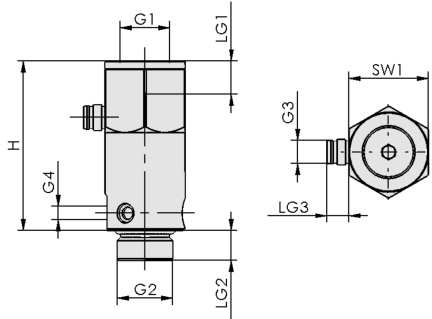
Technical Data Inline Valves IV

| Type | Nominal size [mm] | Control valve | Voltage | Nominal flow rate [l/min] | Nominal flow rate [m³/h] | Power consumption DC [W] | Weight [kg] |
|------------------------------------|-------------------|---------------|----------|---------------------------|--------------------------|--------------------------|-------------|
| IV 3 3/2 G1/4-IG G3/8-AG 24V-DC | 3 | Normally open | 24V - DC | 20 | 2 | 4.5 | 0.074 |
| IV 3 3/2 G3/8-IG G3/8-AG 24V-DC | 3 | Normally open | 24V - DC | 20 | 2 | 4.5 | 0.074 |

Inline Valves IV

Nominal diameter 3 mm

Design Data Inline Valves IV



IV

Inline Valves IV

Nominal diameter 3 mm

Design Data Inline Valves IV

| Type | G1 | G2 | G3 | G4 | H [mm] | LG1 [mm] | LG2 [mm] | LG3 [mm] | SW1 [mm] |
|------------------------------------|---------|---------|------|------|--------|----------|----------|----------|----------|
| IV 3 3/2 G1/4-IG G3/8-AG 24V-DC | G1/4"-F | G3/8"-M | M8-M | M5-F | 51 | 9 | 9 | 6.5 | 24 |
| IV 3 3/2 G3/8-IG G3/8-AG 24V-DC | G3/8"-F | G3/8"-M | M8-M | M5-F | 51 | 9 | 9 | 6.5 | 24 |