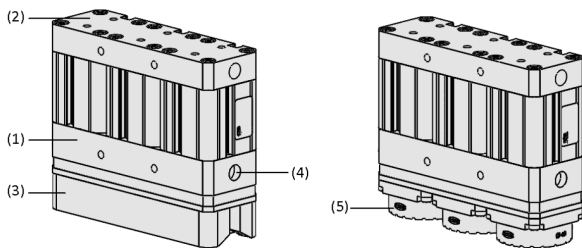


Magnetic Grippers SGM-HP/-HT (Multiple)

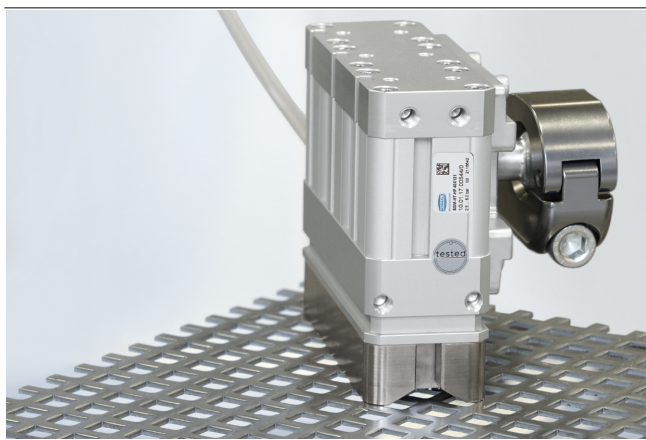
Magnetic grippers for very high holding forces



Magnetic Grippers SGM-HP/-HT (Multiple)



System Design Magnetic Grippers SGM-HP/-HT (Multiple)



Magnetic grippers SGM-HP/-HT (multiple) when handling perforated sheets

Suitability for Industry Specific Applications

Applications

- Magnetic gripper with very high holding forces for handling e.g. perforated sheets, complex laser-cut workpieces or sheets with holes and cut-outs
- Handling of ferromagnetic workpieces
- Large, rectangular suction area for absorbing high peeling forces
- HT version for high-temperature applications (e.g. hot forming processes)

Design

- Aluminum housing with permanent magnet (1)
- Bistable version: the magnet positions "grip" and "deposit" are maintained in event of power failure at the compressed air connection (4)
- Mounting threads for mounting a holder on the top and on two side surfaces (2)
- Robust, prismatic gripping area enables optimum handling of round or rounded workpieces (3)
- Friction rings for gentle handling (5)
- Optional mounting with Schmalz holder system HTS

Product Highlights

- Bistable function with permanent magnet for safe gripping even in case of power failure
- Compact design and low weight due to lightweight construction
- Suitable for demanding operating conditions due to robust gripping surface made of steel alloy with prism-shaped cross-section
- Individual mounting option also for lateral tooling connection

Magnetic Grippers SGM-HP/-HT (Multiple)

Magnetic grippers for very high holding forces

Designation Code Magnetic Grippers SGM-HP/-HT (Multiple)

SGM	-	HP	-	40X121	-	3RR
1		2		3		4

1 – Abbreviated designation

Code	Version
SGM	SGM

2 – Variant

Code	Type
HP	High force
HT-HP	High temperature

3 – Dimensions

Code	LxW in mm
40X121	121x40

4 – Product range supplement

Code	Type
3RR	3 friction rings

The magnetic gripper SGM-HP/-HT (multiple) is delivered assembled.

The assembly consists of:

- Gripper of type SGM-HP/-HT (multiple)
- Optional holder system
- Optional proximity switch (only for SGM-HP)

Ordering Data Magnetic Grippers SGM-HP/-HT (Multiple)

Type	Part no.
SGM-HP 40x121	10.01.17.00566
SGM-HP 40x121 3RR	10.01.17.00643
SGM-HT-HP 40x121	10.01.17.00544
SGM-HT-HP 40x121 3RR	10.01.17.00664

Ordering Data Spare Parts Magnetic Grippers SGM-HP/-HT (Multiple)

Type	Spare Parts	Part no.
SGM-HP 40x121	Set of spare parts	ERS SGM-40x121 2RAILS
SGM-HP 40x121 3RR	Friction ring	REIB-RING SGM 40 PU-55
SGM-HT-HP 40x121	Set of spare parts	ERS SGM-40x121 2RAILS
SGM-HT-HP 40x121 3RR	Friction ring	REIB-RING SGM 40 HT2-65

Ordering Data Accessories Magnetic Grippers SGM-HP/-HT (Multiple)

Type	Accessories	Part no.
SGM-HP 40x121	Conversion kit	UMR-SET SGM-HP 3RR
SGM-HT-HP 40x121	Conversion kit	UMR-SET SGM-HT-HP 3RR

Accessories	Part no.
Holder system	HTS-A2 SGM-HP 40x121 OP
Holder system	HTS-A3 SGM-HP 40x121 OP
Holder system	HTS-A5 SGM-HP 40x121 OP
Holder system	HTS-A2 EW SGM-HP 40x121 OP
Holder system	HTS-A3 EW SGM-HP 40x121 OP
Holder system	HTS-A5 EW SGM-HP 40x121 OP

Magnetic Grippers SGM-HP/-HT (Multiple)

Magnetic grippers for very high holding forces

Technical Data Magnetic Grippers SGM-HP/-HT (Multiple)

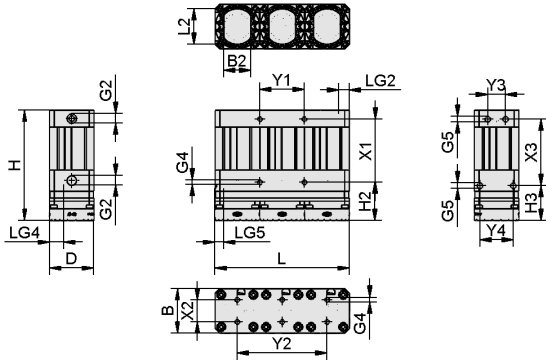
Type	Sheet thickness opt f. holding force max. [mm]	Holding force max [N]	Remaining force [N]
SGM-HP 40x121	4	1,070	1.8
SGM-HP 40x121 3RR	4	730	0.5
SGM-HT-HP 40x121	4	1,170	1.8
SGM-HT-HP 40x121 3RR	4	680	0.5

Type	Operating pressure	Installation position	Control valve	Operating temperature	Weight [g]
SGM-HP 40x121	2.5 ... 6.0 bar	BEL	Bistable	5 ... 70 °C	1,500
SGM-HP 40x121 3RR	2.5 ... 6.0 bar	BEL	Bistable	5 ... 70 °C	1,220
SGM-HT-HP 40x121	2.5 ... 6.0 bar	BEL	Bistable	5 ... 150 °C	1,500
SGM-HT-HP 40x121 3RR	2.5 ... 6.0 bar	BEL	Bistable	5 ... 150 °C	1,220

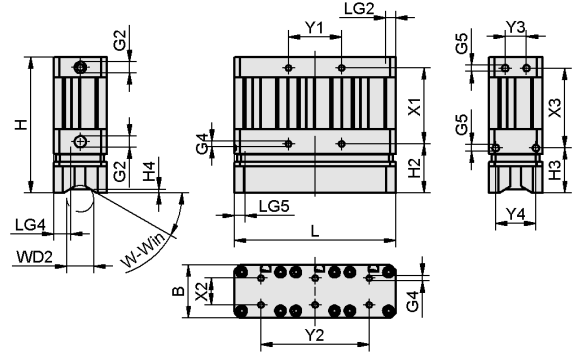
Magnetic Grippers SGM-HP/-HT (Multiple)

Magnetic grippers for very high holding forces

Design Data Magnetic Grippers SGM-HP/-HT (Multiple)



SGM-(HP)HP 40x121 RR



SGM-(HP)HP 40x121

Magnetic Grippers SGM-HP/-HT (Multiple)

Magnetic grippers for very high holding forces

Design Data Magnetic Grippers SGM-HP/-HT (Multiple)

Type	B [mm]	B2 [mm]	D [mm]	G2	G4	G5	H [mm]	H2 [mm]	H3 [mm]	H4 [mm]
SGM-HP 40x121	40	-	-	G1/8"-F	M5-F	M6-F	101.7	36.71	33.6	2.6
SGM-HP 40x121 3RR	40	24.2	40	G1/8"-F	M5-F	M6-F	99.4	34.40	31.3	-
SGM-HT-HP 40x121	40	-	-	G1/8"-F	M5-F	M6-F	101.7	36.71	33.6	2.6
SGM-HT-HP 40x121 3RR	40	24.2	40	G1/8"-F	M5-F	M6-F	99.4	34.40	31.3	-

Type	L [mm]	L2 [mm]	LG2 [mm]	LG4 [mm]	LG5 [mm]	WD2 [mm]	X1 [mm]	X2 [mm]	Y1 [mm]	Y2 [mm]
SGM-HP 40x121	-	-	6	7	6.5	63	57	20	40	81
SGM-HP 40x121 3RR	-	32	6	7	6.5	-	57	20	40	81
SGM-HT-HP 40x121	-	-	6	7	6.5	63	57	20	40	81
SGM-HT-HP 40x121 3RR	-	32	6	7	6.5	-	57	20	40	81