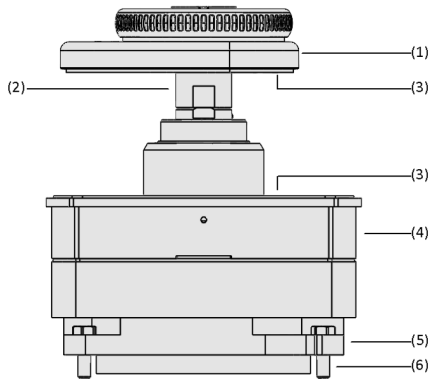


# Mechanical Clamps VCMC-B-QUICK

Clamping range 15 mm to 85 mm · With quick adjustment



Mechanical Clamps VCMC-B-QUICK



System design Mechanical Clamps VCMC-B-QUICK



Mechanical clamps VCMC-B-QUICK for clamping of frame parts

## Suitability for industry specific applications

### Applications

- Mechanical clamping system for CNC machining centers from Biesse with console tables with ATS and EPS suction cup mountings
- Particularly suitable for narrow and curved workpieces such as frame parts and window profiles
- Tool-free adjustment of the clamping height to the workpiece within seconds; extension of the clamping range possible through extension
- Clamping of the workpiece by activating the vacuum at the machine table

### Design

- Triangular clamping plate (1) is adjustable in clamping height and contact surface on the workpiece without tools and is lowered by activating the vacuum
- Extension (2) for adjusting the clamping range
- Friction material (3) for optimizing lateral force absorption
- Main body (4) made of aluminum with interface (5) to Biesse console
- Hexagon head screws (6) for fixing the clamp in the mounting

### Product highlights

- Triangular clamping disc with tool-free quick adjustment enables shortest set-up times
- Clamping force of 700 N ensures safe clamping even with narrow workpieces
- No additional medium required, as the clamp can be activated via operating vacuum of the CNC machining centre
- Special friction materials on the clamping disc and clamping surface ensure a secure hold even with high machining forces
- Can be used for a wide range of workpieces thanks to its very large clamping range

# Mechanical Clamps VCMC-B-QUICK

Clamping range 15 mm to 85 mm · With quick adjustment

## Designation code Mechanical Clamps VCMC-B-QUICK

|        |   |       |   |         |   |     |   |       |
|--------|---|-------|---|---------|---|-----|---|-------|
| VCMC-B | – | QUICK | – | 150x135 | – | x48 | – | 15-85 |
| 1      |   | 2     |   | 3       |   | 4   |   | 5     |

### 1 – Abbreviated designation

| Code   | Type                            |
|--------|---------------------------------|
| VCMC-B | Mechanical clamp, Biesse system |

### 2 – Design

| Code  | Type                             |
|-------|----------------------------------|
| QUICK | With tool-free height adjustment |

### 3 – Dimensions

| Code    | LxW in mm |
|---------|-----------|
| 150x135 | 150x135   |

### 4 – Clamping height

| Code      | H in mm   |
|-----------|-----------|
| x48...x74 | 48 and 74 |

### 5 – Clamping range

| Code  | Clamping range in mm |
|-------|----------------------|
| 15-85 | 15-85                |

The mechanical clamp VCMC-B-QUICK is delivered assembled. The product consists of:

- Clamping disc with quick adjustment
- Main body made of aluminum
- Hexagonal bolts

Available spare parts: clamping disc

Available accessories: clamping range extension

## Ordering data Mechanical Clamps VCMC-B-QUICK

| Type                          | Part no.       |
|-------------------------------|----------------|
| VCMC-B-QUICK 150x135x48 15-85 | 10.01.12.04750 |
| VCMC-B-QUICK 150x135x74 15-85 | 10.01.12.04752 |

## Ordering data Spare parts Mechanical Clamps VCMC-B-QUICK

| Spare parts                               | Part no.       |
|---|----------------|
| Clamping disc   SPAN-TELL 110x30 EXZ VCMC | 10.01.12.04688 |

## Ordering data Accessories Mechanical Clamps VCMC-B-QUICK

| Accessories                             | Part no.       |
|---|----------------|
| Extension with hexagon   VRL-S M20x1x35 | 10.01.12.04374 |

## Technical data Mechanical Clamps VCMC-B-QUICK

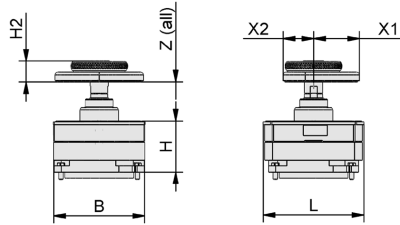
| Type                          | Clamping range [mm] |
|-------------------------------|---------------------|
| VCMC-B-QUICK 150x135x48 15-85 | 15.0 ... 85.0 mm    |
| VCMC-B-QUICK 150x135x74 15-85 | 15.0 ... 85.0 mm    |

## Mechanical Clamps VCMC-B-QUICK

Clamping range 15 mm to 85 mm · With quick adjustment

### Design data Mechanical Clamps VCMC-B-QUICK

---



---

VCMC-B-QUICK

## Mechanical Clamps VCMC-B-QUICK

Clamping range 15 mm to 85 mm · With quick adjustment

### Design data Mechanical Clamps VCMC-B-QUICK

| Type                             | B [mm] | H [mm] | H2 [mm] | L [mm] | X1 [mm] | X2 [mm] | Z (Stroke) [mm] |
|----------------------------------|--------|--------|---------|--------|---------|---------|-----------------|
| VCMC-B-QUICK<br>150x135x48 15-85 | 133    | 48     | 30      | 146.4  | 66.5    | 44      | 9               |
| VCMC-B-QUICK<br>150x135x74 15-85 | 133    | 74     | 30      | 146.4  | 66.5    | 44      | 9               |

### Multimedia product presentation

| Medium        | Link   |
|---------------|--|
| Product video | <a href="https://vimeo.com/178568576">https://vimeo.com/178568576</a><br><a href="https://vimeo.com/194826873">https://vimeo.com/194826873</a><br><a href="https://vimeo.com/193850139">https://vimeo.com/193850139</a><br><a href="https://vimeo.com/260009196">https://vimeo.com/260009196</a> |