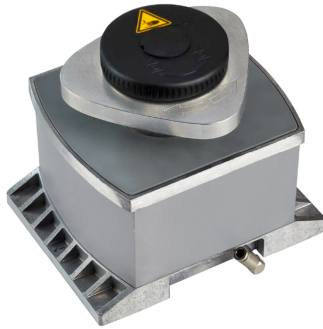
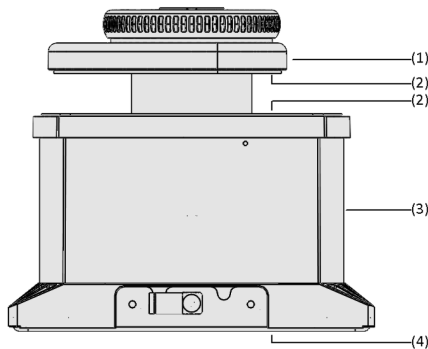


Mechanical Clamps VCMC-G-QUICK

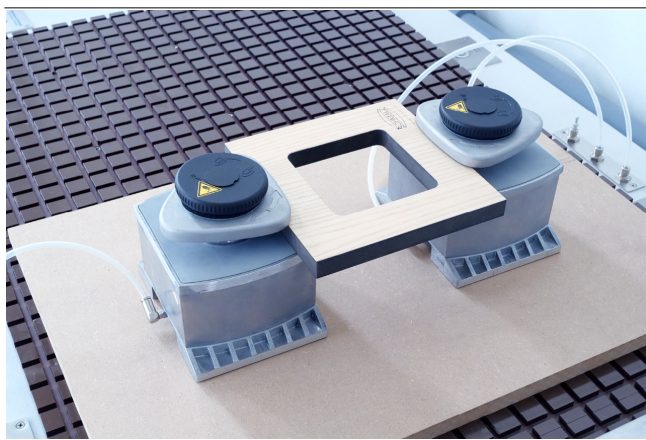
Clamping range 10 mm to 100 mm · With quick adjustment



Mechanical Clamps VCMC-G-QUICK



System design Mechanical Clamps VCMC-G-QUICK



Mechanical clamps VCMC-G-QUICK for clamping of frame parts

Suitability for industry specific applications

Applications

- Mechanical clamping system for CNC machining machines with flat table system
- Particularly suitable for narrow and curved workpieces such as frame parts and window profiles
- Set-up is efficient, safe and tool-free; the clamp is fixed to the machine table by vacuum
- Tool-free adjustment of the clamping height to the workpiece within seconds
- Clamping of the workpiece by activating the vacuum on the machine table

Design

- Triangular clamping disc (1) is adjustable in clamping height and contact surface on the workpiece without tools and is lowered by activating the vacuum
- Friction material (2) for optimizing lateral force absorption
- Main body (3) made of aluminum with hose connections for connecting the vacuum
- Changeable sealing frame as interface (4) to the flat table for fixing the clamp by vacuum

Product highlights

- Triangular clamping disc with tool-free quick adjustment enables shortest set-up times
- Clamping force of 700 N ensures safe clamping even with narrow workpieces
- No additional medium required, as the clamp can be activated via operating vacuum of the CNC machining centre
- Special friction materials on the clamping disc and clamping surface ensure a secure hold even with high machining forces
- Can be used for a wide range of workpieces thanks to its very large clamping range

Mechanical Clamps VCMC-G-QUICK

Clamping range 10 mm to 100 mm · With quick adjustment

Designation code Mechanical Clamps VCMC-G-QUICK

VCMC-G	–	QUICK	–	170x135	–	x100	–	10-100
1		2		3		4		5

1 – Abbreviated designation

Code	Type
VCMC-G	Mechanical clamp, flat table system

2 – Design

Code	Type
QUICK	With tool-free height adjustment

3 – Dimensions

Code	LxW in mm
170x135	170x135

4 – Clamping height

Code	H in mm
x100	100

5 – Clamping range

Code	Clamping range in mm
10-100	10-100

The mechanical clamp VCMC-G-QUICK is delivered completely assembled. The product consists of:

- Clamping disc with quick adjustment
- Main body made of aluminum
- Sealing frame

Available spare parts: clamping disc, sealing frame

Ordering data Mechanical Clamps VCMC-G-QUICK

Type	Part no.
VCMC-G-QUICK 170x135x100 10-100	10.01.12.04759

Ordering data Spare parts Mechanical Clamps VCMC-G-QUICK

Spare parts	Part no.
Clamping disc	SPAN-TELL 110 EXZ VCMC 10.01.12.04239
Sealing frame (bottom)	VCDR 166x113x6.6 VCMC-G 10.01.12.04758

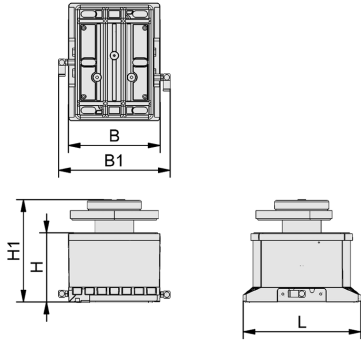
Technical data Mechanical Clamps VCMC-G-QUICK

Type	Clamping range [mm]
VCMC-G-QUICK 170x135x100 10-100	10.0 ... 100.0 mm

Mechanical Clamps VCMC-G-QUICK

Clamping range 10 mm to 100 mm · With quick adjustment

Design data Mechanical Clamps VCMC-G-QUICK



VCMC-G-QUICK

Mechanical Clamps VCMC-G-QUICK

Clamping range 10 mm to 100 mm · With quick adjustment

Design data Mechanical Clamps VCMC-G-QUICK

Type	B [mm]	B1 [mm]	H [mm]	H1 [mm]	L [mm]
VCMC-G-QUICK 170x135x100 10-100	133	163	100	233.5	171