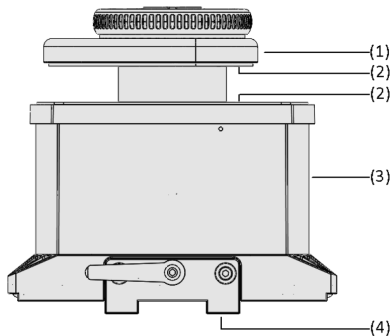


Mechanical Clamps VCMC-K1-QUICK

Clamping range 10 mm to 100 mm · With quick adjustment



Mechanical Clamps VCMC-K1-QUICK



System design Mechanical Clamps VCMC-K1-QUICK



Mechanical clamps VCMC-K1-QUICK for clamping of frame parts

Suitability for industry specific applications

Applications

- Mechanical clamping system for CNC machining centers with console table (single-circuit system)
- Particularly suitable for narrow and curved workpieces such as frame parts and window profiles
- For setup, the clamp is fixed to the console by mechanical clamping and the clamping height is adjusted to the workpiece with the tool-free quick adjustment
- Clamping of the workpiece by activating the vacuum at the machine table

Design

- Triangular clamping disc (1) can be adjusted without tools in clamping height and support surface on the workpiece
- The clamping disc is lowered via the piston by activating the vacuum and clamps the workpiece
- Friction material (2) for optimizing lateral force absorption
- Main body (3) made of aluminum with interface to the machine table
- Guide strips (4) for secure fixing of the clamp on the console

Product highlights

- Triangular clamping disc with tool-free quick adjustment enables shortest setup times
- Clamping forces up to 700 N guarantee high holding forces even on narrow workpieces
- Mechanical clamping secures the clamp on the console
- No additional medium required on the machine, as the clamping device is activated by the operating vacuum of the CNC machining centre
- Special friction materials on the clamping plate and clamping surface ensure that the workpiece is held securely even with high machining forces

Mechanical Clamps VCMC-K1-QUICK

Clamping range 10 mm to 100 mm · With quick adjustment

Designation code Mechanical Clamps VCMC-K1-QUICK

VCMC-K1	–	QUICK	–	170x135	–	x50	–	15-85
1		2		3		4		5

1 – Abbreviated designation

Code	Type
VCMC-K1	Mechanical clamp, single-circuit console system

2 – Design

Code	Type
QUICK	With tool-free height adjustment

3 – Dimensions

Code	LxW in mm
170x135	170x135

4 – Clamping height

Code	H in mm
x50...x125	50 to 125

5 – Clamping range

Code	Clamping range in mm
15-85...10-100	15-85 and 10-1000

The mechanical clamp VCMC-K1-QUICK is delivered completely assembled. The product consists of:

- Clamping disc with quick adjustment
- Main body made of aluminum
- Mount on the console with mechanical clamping

Available spare parts: clamping disc, sealing frame, clamping unit

Available accessories: clamping range extension, clamping unit

Ordering data Mechanical Clamps VCMC-K1-QUICK

Type	Part no.
VCMC-K1-QUICK 170x135x50 15-85	10.01.12.04692
VCMC-K1-QUICK 170x135x85 15-85	10.01.12.04746
VCMC-K1-QUICK 170x135x100 10-100	10.01.12.04614
VCMC-K1-QUICK 170x135x125 10-100	10.01.12.04744

Ordering data Spare parts Mechanical Clamps VCMC-K1-QUICK

Type	Spare parts	Part no.
VCMC-K1-QUICK 170x135x50 15-85	Clamping disc SPAN-TELL 110x30 EXZ VCMC	10.01.12.04688
VCMC-K1-QUICK 170x135x85 15-85	Clamping disc SPAN-TELL 110x30 EXZ VCMC	10.01.12.04688
VCMC-K1-QUICK 170x135x100 10-100	Clamping disc SPAN-TELL 110 EXZ VCMC	10.01.12.04239
VCMC-K1-QUICK 170x135x125 10-100	Clamping disc SPAN-TELL 110 EXZ VCMC	10.01.12.04239

Spare parts	Part no.
Sealing frame (bottom) VCDR 166x113x6.6 VCBL-K1	10.01.12.03629
Clamping unit KLEM-EINH 70x24.5x4.5 VCMC-K2	10.01.12.04255

Ordering data Accessories Mechanical Clamps VCMC-K1-QUICK

Type	Accessories	Part no.
VCMC-K1-QUICK 170x135x50 15-85	Extension with hexagon VRL-S M20x1x35	10.01.12.04374
VCMC-K1-QUICK 170x135x85 15-85	Extension with hexagon VRL-S M20x1x35	10.01.12.04374

Type	Part no.
Accessories-clamping systems ZUB VCMC	10.01.12.04008
Clamping unit KLEM-EINH 69.5x35x12.5	10.01.12.04990

Mechanical Clamps VCMC-K1-QUICK

Clamping range 10 mm to 100 mm · With quick adjustment

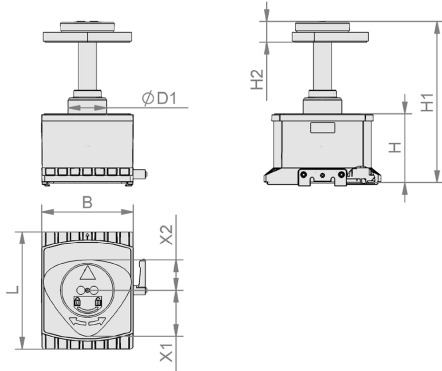
Technical data Mechanical Clamps VCMC-K1-QUICK

Type	Clamping range [mm]
VCMC-K1-QUICK 170x135x50 15-85	15.0 ... 85.0 mm
VCMC-K1-QUICK 170x135x85 15-85	15.0 ... 85.0 mm
VCMC-K1-QUICK 170x135x100 10-100	10.0 ... 100.0 mm
VCMC-K1-QUICK 170x135x125 10-100	10.0 ... 100.0 mm

Mechanical Clamps VCMC-K1-QUICK

Clamping range 10 mm to 100 mm · With quick adjustment

Design data Mechanical Clamps VCMC-K1-QUICK



VCMC-K1-QUICK

Mechanical Clamps VCMC-K1-QUICK

Clamping range 10 mm to 100 mm · With quick adjustment

Design data Mechanical Clamps VCMC-K1-QUICK

Type	B [mm]	D1 [mm]	H [mm]	H1 [mm]	H2 [mm]	L [mm]	X1 [mm]	X2 [mm]
VCMC-K1-QUICK 170x135x50 15-85	133.00	56	50	168	30.0	171	67	44
VCMC-K1-QUICK 170x135x85 15-85	133.31	56	85	203	30.0	171	67	44
VCMC-K1-QUICK 170x135x100 10-100	133.31	56	100	234	30.0	170	67	44