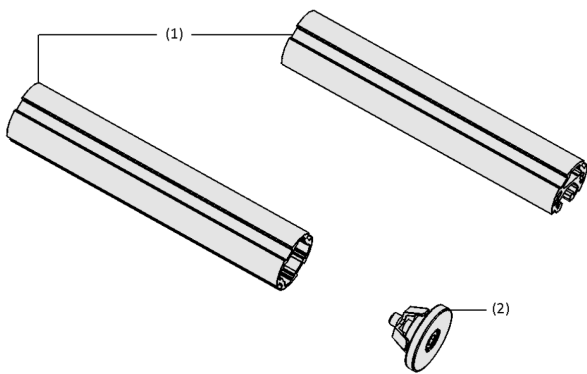


## Mounting Profiles MO-PROF PXT

Standard aluminum profile for modular construction of the gripping system



Mounting Profiles MO-PROF PXT



System design Mounting Profiles MO-PROF PXT



Modular gripper system PXT handling a glass pane

### Suitability for industry specific applications

#### Applications

- Mounting profiles for gripping systems for direct connection to the robot flange
- Wide range of applications for automated workpiece handling
- Simple connection of cross and 3D mounting elements as well as suction cups, spring plungers and other holding elements
- Tube profile can be used for internal vacuum guide

#### Design

- Standardized beams for the assembly of the gripping system and connection of all holders and connectors (1)
- Profile covers (2) optionally also available vacuum tight

#### Product highlights

- Lightweight and robust aluminum profile ensures high stability and flexibility of the gripping system
- Use of a standard profile facilitates the connection of any components
- Elimination of complex hoses due to the possibility of internal vacuum guide

# Mounting Profiles MO-PROF PXT

Standard aluminum profile for modular construction of the gripping system

## Ordering data Mounting Profiles MO-PROF PXT

| Type                      | Part no.       |
|---------------------------|----------------|
| MO-PROF 30x30x500 AL      | 10.01.49.00086 |
| MO-PROF 30x30x1000 AL     | 10.01.49.00087 |
| MO-PROF 25x30x500 1TN AL  | 10.01.49.00088 |
| MO-PROF 25x30x1000 1TN AL | 10.01.49.00089 |
| MO-PROF 25x30x3000 1TN AL | 26.07.01.00498 |
| MO-PROF 30x30x3000 AL     | 26.07.01.00489 |

| Type                  | Part no.       |
|-----------------------|----------------|
| DI-SET PXT D30        | 10.01.49.00031 |
| KAPP 30x3 PXT D30-I   | 25.09.06.00119 |
| KAPP 30x3 PXT 8-D30-I | 25.09.06.00129 |

## Ordering data Accessories Mounting Profiles MO-PROF PXT

| Accessories                    | Part no.       |
|--------------------------------|----------------|
| Tubing deburrer ROHR-ENTGR VEE | 10.01.36.00043 |
| Tubing deburrer ROHR-ENTGR PXT | 10.01.49.00079 |

| Type                      | HP-HT 2M8 56 HT-A3 | HP-SE-U 1M6 12/18 | HP-FST 2M6 35 M18x1.5 | HP-FST 2M6 35 M20x1.5 | HP-SG 2M6 E 35 G1/4-AG | HP-SG 2M6 E 35 G3/8-AG | HP-SG 2M6 E 35 G1/4-IG | HP-SG 2M6 E 35 G3/8-IG |
|---------------------------|--------------------|-------------------|-----------------------|-----------------------|------------------------|------------------------|------------------------|------------------------|
| MO-PROF 30x30x500 AL      | -                  | -                 | -                     | -                     | -                      | -                      | -                      | -                      |
| MO-PROF 30x30x1000 AL     | -                  | -                 | -                     | -                     | -                      | -                      | -                      | -                      |
| MO-PROF 25x30x3000 1TN AL | 10.07.06.00733     | 10.07.06.00719    | 10.07.06.00722        | 10.07.06.00723        | 10.07.06.00712         | 10.07.06.00715         | 10.07.06.00716         | 10.07.06.00717         |

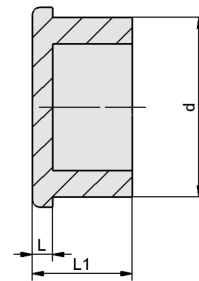
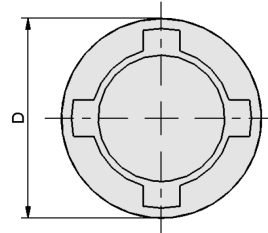
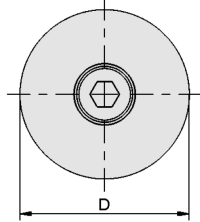
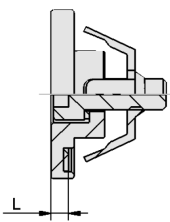
## Technical data Mounting Profiles MO-PROF PXT

| Type                      | Material | Form          | Weight [g] |
|---------------------------|----------|---------------|------------|
| MO-PROF 30x30x500 AL      | Aluminum | -             | -          |
| MO-PROF 30x30x1000 AL     | Aluminum | -             | -          |
| MO-PROF 25x30x500 1TN AL  | Aluminum | with 1 T-slot | -          |
| MO-PROF 25x30x1000 1TN AL | Aluminum | with 1 T-slot | -          |
| MO-PROF 30x30x3000 AL     | Aluminum | 4x dovetail   | 1,610      |
| MO-PROF 25x30x3000 1TN AL | Aluminum | with 1 T-slot | 2,237      |

## Mounting Profiles MO-PROF PXT

Standard aluminum profile for modular construction of the gripping system

### Design data Mounting Profiles MO-PROF PXT



10.01.49.00031 DI-SET PXT D30

25.09.06.00119 KAPP 30x3 PXT

## Mounting Profiles MO-PROF PXT

Standard aluminum profile for modular construction of the gripping system

### Design data Mounting Profiles MO-PROF PXT

| Type                      | B [mm] | H [mm] | L [mm] |
|---------------------------|--------|--------|--------|
| MO-PROF 30x30x500 AL      | 30     | 30     | 500    |
| MO-PROF 30x30x1000 AL     | 30     | 30     | 1,000  |
| MO-PROF 25x30x500 1TN AL  | 25     | 30     | 500    |
| MO-PROF 25x30x1000 1TN AL | 25     | 30     | 1,000  |
| MO-PROF 30x30x3000 AL     | 30     | 30     | 3,000  |
| MO-PROF 25x30x3000 1TN AL | 25     | 30     | 3,000  |

| Type                  | D [mm] | d [mm] | L [mm] | L1 [mm] |
|-----------------------|--------|--------|--------|---------|
| DI-SET PXT D30        | 33     | -      | 3.5    | -       |
| KAPP 30x3 PXT D30-I   | 30     | 27.5   | 3.0    | 15      |
| KAPP 30x3 PXT 8-D30-I | 30     | -      | 3.0    | -       |

### Multimedia product presentation

| Medium        | Link   |
|---------------|--|
| Product video | <a href="https://vimeo.com/533905457">https://vimeo.com/533905457</a><br><a href="https://vimeo.com/533475835">https://vimeo.com/533475835</a> |