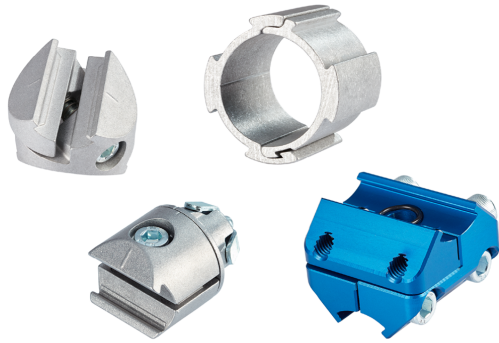
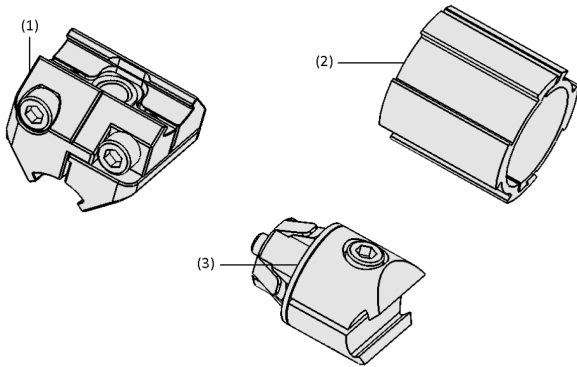


Mounting Technology PXT

Mounting elements for quick connection of beams



Mounting Technology PXT



System design Mounting Technology PXT



Modular gripper system PXT handling a glass pane

Suitability for industry specific applications

Applications

- 90° connector for quick connection of cross beams to the supporting main beam system
- 90° connector with media feed-through allows vacuum guide from main beam into cross beam without hosing
- 3D connector enables adaptation of the gripping system to free-form parts
- Wide range of applications for automated workpiece handling

Design

- 90° connector (1) optionally with internal vacuum guide
- 3D connector (2) adjustable in angle without stops
- Inner connector (3) for 90° connection in a plane

Product highlights

- Option for internal vacuum guide saves the use of complex hosing
- Simple assembly thanks to standardized elements
- 3D connectors offer optimum adaptation to free-form parts

Mounting Technology PXT

Mounting elements for quick connection of beams

Ordering data Mounting Technology PXT

Type	Part no.
HTR-D30-I FL PXT	25.09.06.00120
HTR-D30-I M6-IG D PXT	25.09.06.00131
HTR-KRZ PXT D30-I D30-I	25.09.06.00123
HTR-KRZ PXT D30-I D30-I IV	10.01.49.00034

Type	Part no.
VBR-PR 38x30x24 P	25.09.06.00121
VBR-PR D30-I D30-I	10.01.49.00047

Type	Part no.
ROHR-SCHEL 30-30 AL	25.09.06.00122

Technical data Mounting Technology PXT

Type	Shape	Weight [g]
HTR-D30-I FL PXT	flat	-
HTR-D30-I M6-IG D PXT	Double block	72
HTR-KRZ PXT D30-I D30-I	-	66
HTR-KRZ PXT D30-I D30-I IV	int. vacuum feedthrough	98

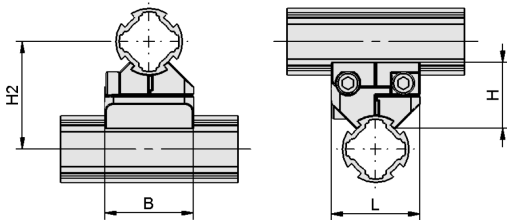
Type	Material	Weight [g]
VBR-PR 38x30x24 P	Aluminum	53
VBR-PR D30-I D30-I	-	59

Type	Material	Weight [g]
ROHR-SCHEL 30-30 AL	Aluminum	37

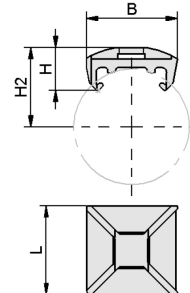
Mounting Technology PXT

Mounting elements for quick connection of beams

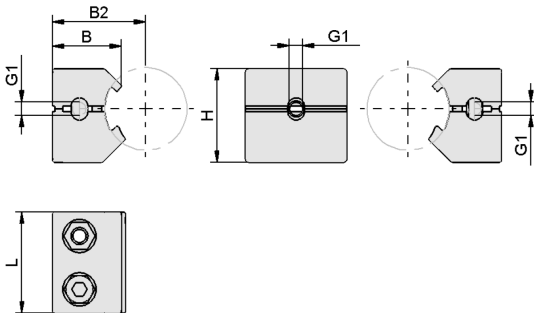
Design data Mounting Technology PXT



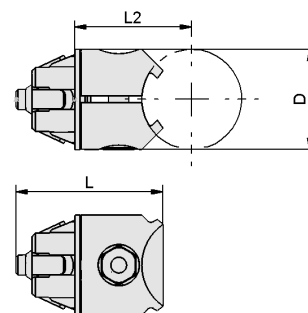
10.01.49.00034 HTR-KRZ PXT D30-I D30-I IV



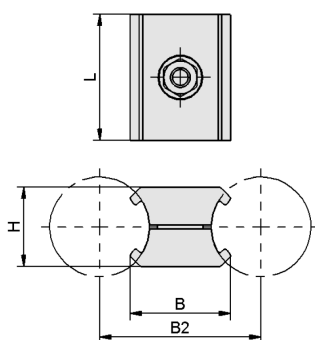
25.09.06.00120 HTR-D30-I FL PXT



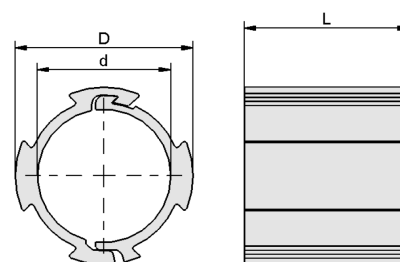
25.09.06.00131 HTR-D30-I M6-IG D PXT



10.01.49.00047 VBR-PR D30-I D30-I



25.09.06.00121 VBR-PR 38x30x24 P



ROHR-SCHEL

Mounting Technology PXT

Mounting elements for quick connection of beams

Design data Mounting Technology PXT

Type	B [mm]	B2 [mm]	G1	H [mm]	H2 [mm]	L [mm]
HTR-D30-I FL PXT	20.0	-	-	9.6	20.0	20
HTR-D30-I M6-IG D PXT	25.8	35	M6-F	35.0	-	38
HTR-KRZ PXT D30-I D30-I	40.0	-	-	30.6	48.5	40
HTR-KRZ PXT D30-I D30-I IV	40.0	-	-	29.5	48.5	40

Type	B [mm]	B2 [mm]	D [mm]	H [mm]	L [mm]	L2 [mm]
VBR-PR 38x30x24 P	30	48.5	-	24	38.0	-
VBR-PR D30-I D30-I	-	-	30	-	44.1	35

Type	D [mm]	d [mm]	L [mm]
ROHR-SCHEL 30-30 AL	40	30	37

Multimedia product presentation

Medium	Link
Product video	https://vimeo.com/547935220 https://vimeo.com/547937363