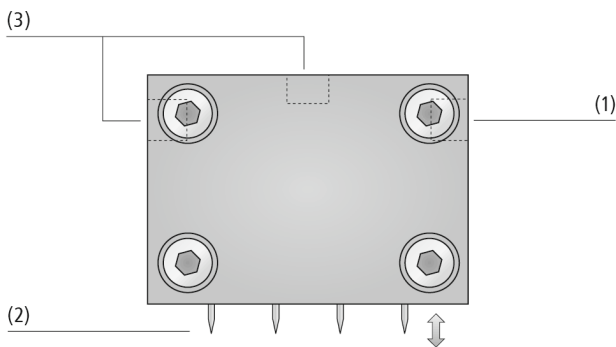


Needle Grippers SNG-M

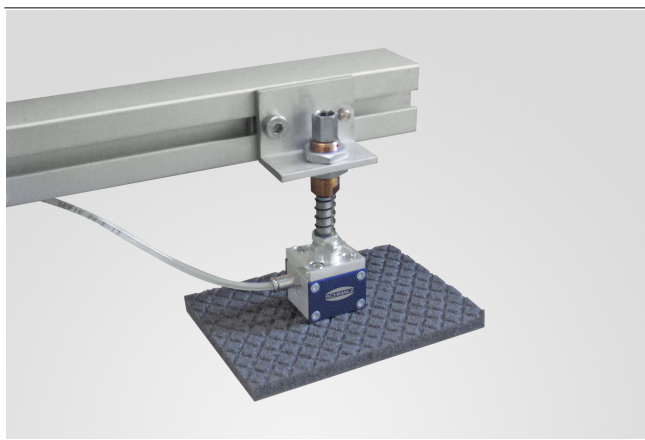
Needle stroke 3 mm



Needle Grippers SNG-M



System Design Needle Grippers SNG-M



Needle grippers SNG-M being used for handling structured foam

Suitability for Industry Specific Applications

Applications

- Needle gripper for handling of flexible, non-rigid components
- Handling of materials which are difficult to grip with vacuum, such as composite textiles, fleece, filters, woven fibreglass or carbon-fibre, woven aramide, foam materials, etc.

Design

- Robust aluminum housing
- Four needles (2)
- Activated by compressed air, needles retracted by springs on the right (1) or optional above (3)
- Optional connection of the needle gripper via mounting plate
- Plunge angle 30°

Product Highlights

- Minimal design allows installation in the tightest of spaces
- Minimized actuation effort thanks to spring reset
- Synchronized extension of the needles guarantees safe handling of the workpieces
- Perfect adaptation to further mounting elements thanks to optional adapter flange plate

Needle Grippers SNG-M

Needle stroke 3 mm

Designation Code Needle Grippers SNG-M

SNG-M	–	4	–	0.8
1		2		3

1 – Abbreviated designation

Code	Version
SNG-M	Small size

2 – Number of needles

Code	Number
4	4

3 – Needle diameter

Code	Diameter in mm
0.8	ø 0.8

Needle gripper SNG-M is delivered assembled. The assembly consists of:

- Gripper of type SNG-M

Available spare parts: needle module

Available accessories: mounting plate (BEF-PL)

Ordering Data Needle Grippers SNG-M

Type*	Part no.
SNG-M 4 0.8	10.01.29.00001

*Suitable screw in push fittings can be found under "Screw in push fittings" in section "Filters and Connections"

Ordering Data Spare Parts Needle Grippers SNG-M

Type	Spare Parts*	Part no.
SNG-M 4 0.8	Spare parts kit needle gripper	ERS SNG-M 4 0.8

*Set of 4 needles with guide pistons and springs

Ordering Data Accessories Needle Grippers SNG-M

Type	Accessories*	Part no.
SNG-M 4 0.8	Mounting plate	BEF-PL 31x34x11.5 G1/4-IG SNG

*Complete with mounting screws

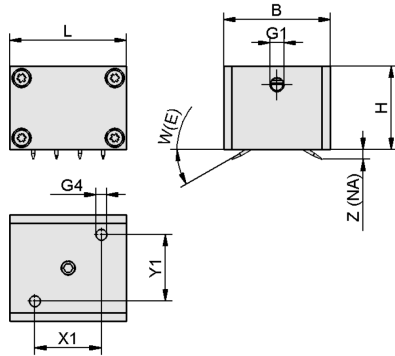
Technical Data Needle Grippers SNG-M

Type	Number of needles	Needle diameter [mm]	Pressure range (operating pressure) [bar]	Operating temperature [°C]	Installation position	Weight [g]
SNG-M 4 0.8	4	0.8	4.0 ... 6.0 bar	5 ... 60 °C	BEL	80

Needle Grippers SNG-M

Needle stroke 3 mm

Design Data Needle Grippers SNG-M



SNG-M

Design Data Needle Grippers SNG-M

Type	B [mm]	G1	G4	H [mm]	L [mm]	W(E) [°]	X1 [mm]	Y1 [mm]	Z(NA) [mm]
SNG-M 4 0.8	33	M5-F	M4-F	25	35	30	20	20	3