

PNEUMATIC LOGIC



Metal Work logic elements are available with 5 different functions: OR, AND, NOT, YES, MEMORY.

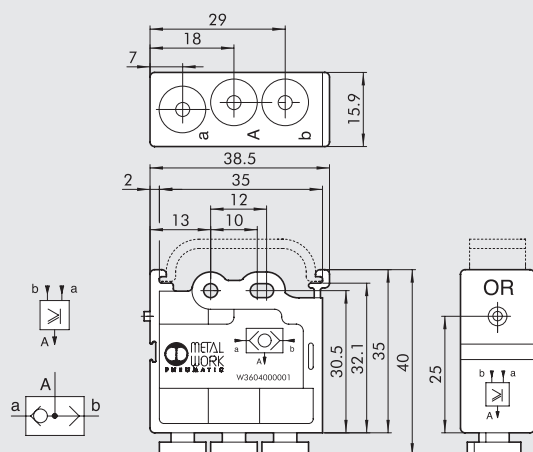
Main features common to all elements:

- Adaptor for Ω bar (DIN EN 50022) integral with the body.
- Built-in pressure indicator.
- Pipe locking system using $\varnothing 4$ built-in fittings.



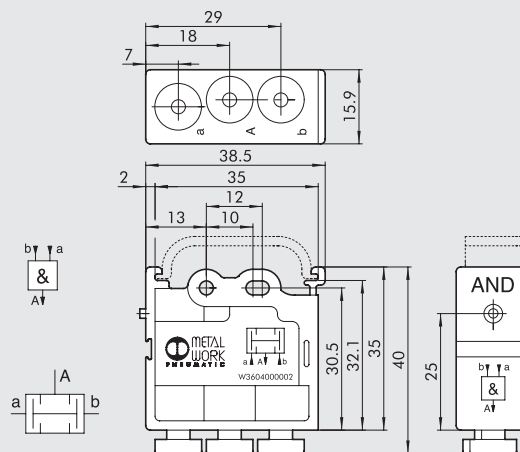
TECHNICAL DATA	
Operating temperature	°C
Valve fitting	Push-in fitting for $\varnothing 4$ pipe
Pressure range	bar
	OR - AND: from 1.5 to 8 bar
	YES-NOT - MEMORY: from 0 to 8 bar, pilot pressure from 1.5 to 8 bar
	NOT: 6 bar switching threshold = 0.4
Nominal diameter	mm
Flow rate at 6 bar (0.6 MPa-87 psi) ΔP 1 bar (0.1 Mpa-14.5 psi)	NI/min
Fluid	2.7
Recommended lubricant	100
Actionment	Lubricated or unlubricated filtered compressed air; must be uninterrupted when lubricated
Reset	ISO and UNI FD22
	Via compressed air
	AND-OR: via compressed air
	YES-NOT via mechanical spring
	MEMORY: via compressed air
Installation	In any position
Mounted	On Omega bar (DIN EN 50022) size 35 x 7 or 35 x 15
	Wall-mounted with $\varnothing 4.2$ holes
MATERIALS	
Body	Technopolymer
Spool	Aluminium
Seal	NBR

LOGIC ELEMENT: OR



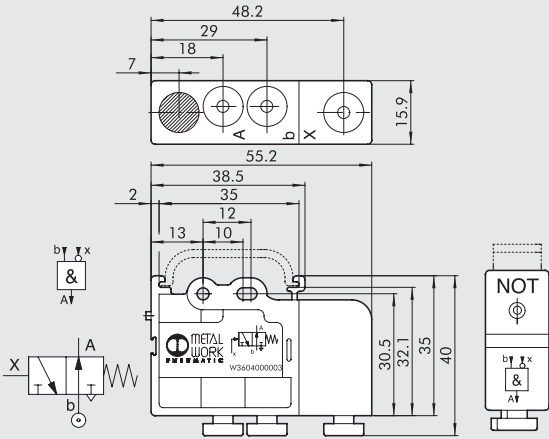
Code W3604000001
Description OR - logic sum

LOGIC ELEMENT: AND



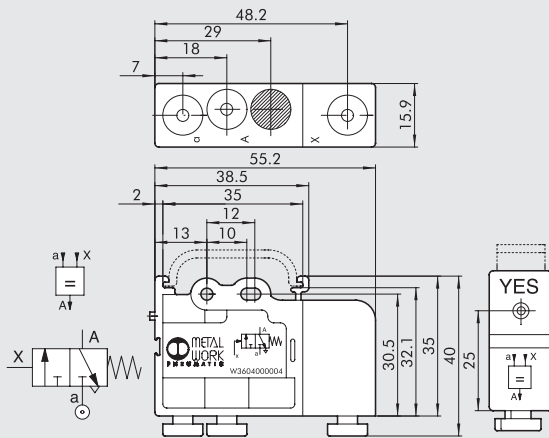
Code W3604000002
Description AND - logic product

LOGIC ELEMENT: NOT



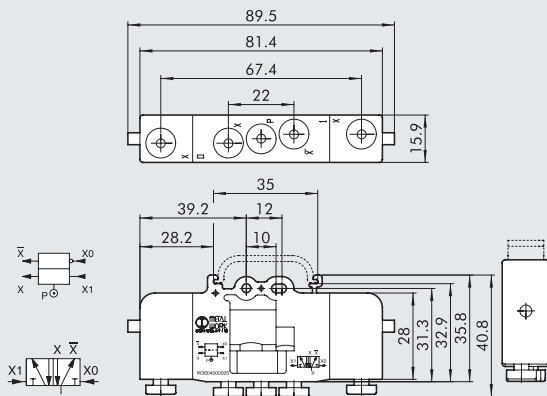
Code	Description
W360400003	NOT - Negation

LOGIC ELEMENT: YES



Code	Description
W360400004	YES - Affirmation

LOGIC ELEMENT: MEMORY



Code	Description
W360400005	Memory

NOTES