

Quick-Change Robot Bayonets SXT-QC-CON

For pipe diameters of 40 and 60 mm



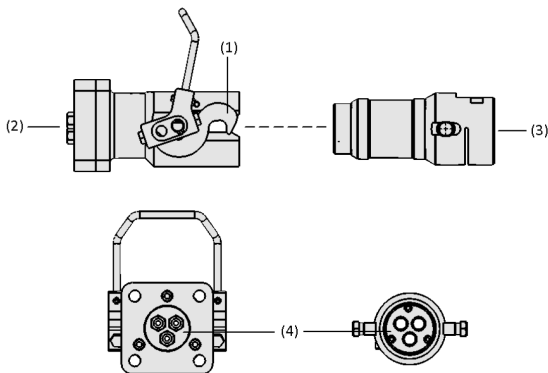
Suitability for Industry Specific Applications

Applications

- Quick change bayonet connection on robot interface for connecting of round tube toolings
- For highly dynamic processes with maximum output in the automotive industry in press shops and car body construction
- Can be used in existing plants thanks to simple integration with the appropriate pipe clamps



Quick-Change Robot Bayonets SXT-QC-CON



Design

- Manually locked / unlocked bayonet connection (1)
- Flange (2) for connection to the robot interface
- Connection for tooling (3) with a pipe diameter of 40 and 60 mm
- With 2, 3, 6 lines or without pneumatic media feed-through (4)

System Design Quick-Change Robot Bayonets SXT-QC-CON



Quick-change robot bayonet SXT-QC-CON used for handling a formed sheet metal part

Product Highlights

- High-strength bayonet connection for highly dynamic processes with maximum output quantity
- Compatible with common tooling systems (tube diameters 40 or 60 mm)
- Flexible, space-saving solution for various applications with pneumatic media feed-through

Quick-Change Robot Bayonets SXT-QC-CON

For pipe diameters of 40 and 60 mm

Designation Code Quick-Change Robot Bayonets SXT-QC-CON

SXT-QC-CON	–	40	–	F6
1		2		3

1 – Abbreviated designation

Code	Type
SXT-QC-CON	Robot quick-change bayonet

2 – Connection

Code	Diameter in mm
40	ø 40
60	ø 60

3 – Shape

Code	Version
F	Female
F2	Female, 2 pneumatic connections
F3	Female, 3 pneumatic connections
F6	Female, 6 pneumatic connections
M	Male
MB	Male, extended pipe clamp
M2	Male, 2 pneumatic connections
M3	Male, 3 pneumatic connections
M6	Male, 6 pneumatic connections

The robot quick-change bayonets SXT-QC-CON are delivered as a ready-to-connect product. The following ordering steps are necessary to obtain a complete quick-change system:

- Robot quick-change bayonet of type SXT-QC-CON M (tooling connection)
- Robot quick-change bayonet of type SXT-QC-CON F (robot connection)

Important: Pipe diameter and number of pneumatic feed-throughs must match.

Available accessories: plug-in screw unions STV-GE

Ordering Data Quick-Change Robot Bayonets SXT-QC-CON

Type	Part no.
SXT-QC-CON-40-F	10.07.13.00012
SXT-QC-CON-40-F-3	10.07.13.00013
SXT-QC-CON-60-F	10.07.13.00014
SXT-QC-CON-60-F-2	10.07.13.00171
SXT-QC-CON-60-F-3	10.07.13.00015
SXT-QC-CON-60-F-6	10.07.13.00016
SXT-QC-CON-40-M	10.07.13.00017
SXT-QC-CON-40-M-3	10.07.13.00018
SXT-QC-CON-60-M	10.07.13.00019
SXT-QC-CON-60-MB	10.07.13.00020
SXT-QC-CON-60-M-2	10.07.13.00170
SXT-QC-CON-60-M-3	10.07.13.00021
SXT-QC-CON-60-M-6	10.07.13.00022

Quick-Change Robot Bayonets SXT-QC-CON

For pipe diameters of 40 and 60 mm

Ordering Data Spare Parts Quick-Change Robot Bayonets SXT-QC-CON

Type	Spare Parts	Part no.
SXT-QC-CON-40-F	ZUB 40 F3	10.07.13.00268
SXT-QC-CON-40-M	ZUB 40 M3	10.07.13.00265
SXT-QC-CON-60-F	ZUB 60 F3	10.07.13.00267
SXT-QC-CON-60-M	ZUB 60 M3	10.07.13.00264

Type	Spare Parts	Part no.
SXT-QC-CON-60-F	ZUB 60 F6	10.07.13.00266
SXT-QC-CON-60-M	ZUB 60 M6	10.07.13.00259

Ordering Data Accessories Quick-Change Robot Bayonets SXT-QC-CON

Type	Accessories	Part no.
SXT-QC-CON-40-F	-	-
SXT-QC-CON-40-F-3	Plug union, straight	STV-GE G1/8-AG 8
SXT-QC-CON-60-F	-	-
SXT-QC-CON-60-F-2	Plug union, straight	STV-GE G3/8-AG 12
SXT-QC-CON-60-F-3	Plug union, straight	STV-GE G1/4-AG 10
SXT-QC-CON-60-F-6	Plug union, straight	STV-GE G1/8-AG 8
SXT-QC-CON-40-M	-	-
SXT-QC-CON-40-M-3	Plug union, straight	STV-GE G1/8-AG 8
SXT-QC-CON-60-M	-	-
SXT-QC-CON-60-MB	-	-
SXT-QC-CON-60-M-2	Plug union, straight	STV-GE G3/8-AG 12
SXT-QC-CON-60-M-3	Plug union, straight	STV-GE G3/8-AG 8
SXT-QC-CON-60-M-6	Plug union, straight	STV-GE G1/8-AG 8

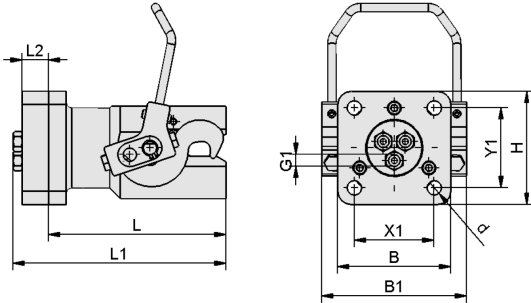
Technical Data Quick-Change Robot Bayonets SXT-QC-CON

Type	Number of connections	Weight [kg]	Material
SXT-QC-CON-40-F	-	1.3	Aluminum
SXT-QC-CON-40-F-3	3	1.7	Aluminum
SXT-QC-CON-60-F	-	4.2	Aluminum
SXT-QC-CON-60-F-2	2	4.9	Aluminum
SXT-QC-CON-60-F-3	3	4.9	Aluminum
SXT-QC-CON-60-F-6	6	4.9	Aluminum
SXT-QC-CON-40-M	-	0.5	Aluminum
SXT-QC-CON-40-M-3	3	0.5	Aluminum
SXT-QC-CON-60-M	-	1.6	Aluminum
SXT-QC-CON-60-MB	-	1.9	Aluminum
SXT-QC-CON-60-M-2	2	1.8	Aluminum
SXT-QC-CON-60-M-3	3	1.8	Aluminum
SXT-QC-CON-60-M-6	6	1.8	Aluminum

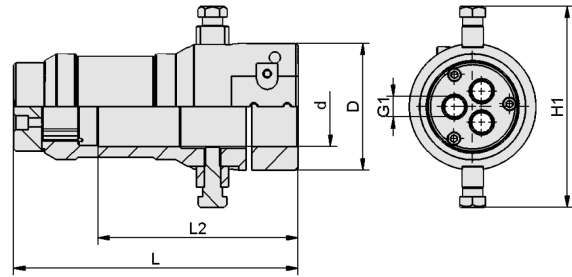
Quick-Change Robot Bayonets SXT-QC-CON

For pipe diameters of 40 and 60 mm

Design Data Quick-Change Robot Bayonets SXT-QC-CON



SXT-QC-CON F



SXT-QC-CON M

Quick-Change Robot Bayonets SXT-QC-CON

For pipe diameters of 40 and 60 mm

Design Data Quick-Change Robot Bayonets SXT-QC-CON

Type	B [mm]	B1 [mm]	D [mm]	d [mm]	G1	H [mm]	H1 [mm]	L [mm]	L1 [mm]	L2 [mm]	X1 [mm]	Y1 [mm]
SXT-QC-CON-40-F	85	109	-	11	-	85	-	133.0	-	-	60	60
SXT-QC-CON-40-F-3	85	109	-	11	G1/8"-F	85	-	133.0	160	20	60	60
SXT-QC-CON-60-F	120	165	-	11	-	120	-	189.0	-	-	90	90
SXT-QC-CON-60-F-2	120	165	-	11	G3/8"-F	120	-	189.0	211	15	90	90
SXT-QC-CON-60-F-3	120	165	-	11	G1/4"-F	120	-	189.0	211	15	90	90
SXT-QC-CON-60-F-6	120	165	-	11	G1/8"-F	120	-	189.0	211	15	90	90
SXT-QC-CON-40-M	-	-	68.3	40	-	-	97	135.5	-	111	-	-
SXT-QC-CON-40-M-3	-	-	68.3	40	G1/8"-F	-	97	156.5	-	111	-	-
SXT-QC-CON-60-M	-	-	95.0	60	-	-	151	192.3	-	150	-	-
SXT-QC-CON-60-MB	-	-	95.0	60	-	-	151	232.3	-	191	-	-
SXT-QC-CON-60-M-2	-	-	95.0	60	G3/8"-F	-	151	213.3	-	150	-	-
SXT-QC-CON-60-M-3	-	-	95.0	60	G3/8"-F	-	151	213.3	-	150	-	-
SXT-QC-CON-60-M-6	-	-	95.0	60	G1/8"-F	-	151	213.3	-	150	-	-

Multimedia product presentation

Medium

Product video

Link

<https://vimeo.com/408410930>