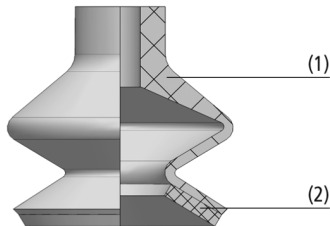


Sealing Rings DR-MOS SI

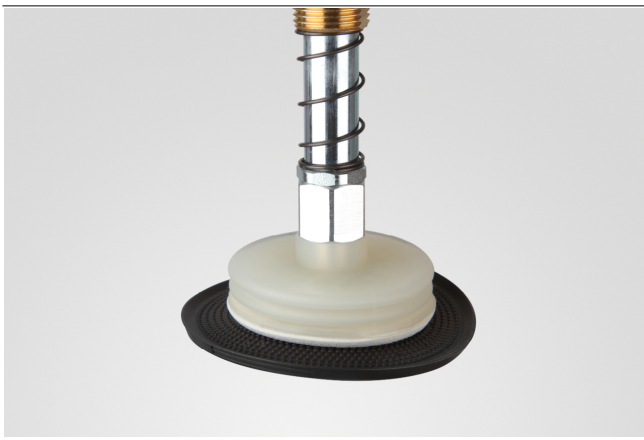
Diameter from 20 mm to 88 mm



Sealing Rings DR-MOS SI



System Design Sealing Rings DR-MOS SI



Standard suction cups with sealing ring DR-MOS SI being used for handling structured plastic parts

Suitability for Industry Specific Applications

Applications

- Sealing ring made of special foam for an optimum sealing on structured surfaces
- Used on structured surfaces (studded, rippled or rough) where suction cups hardly seal or cannot seal at all
- Handling of packaging materials and flat or uneven workpieces with structured surfaces such as foil packed products or plastic components
- Can be used as an accessory for suction cup series FG and FGA made from silicone

Design

- Sealing ring of silicone foam (2) for gluing onto the silicone suction cup (1)
- Available in a variety of diameters and thicknesses, suitable for standard suction cup series FGA (1.5 folds) and FG (2.5 folds)
- Material-locking mounting using silicone adhesive (silicone adhesive sold separately)

Product Highlights

- Foam ring for bellows suction cup ensures optimum sealing on structured surfaces
- A wide range of diameters and heights allows a wide variety of applications with the suction cup series FGA and FG
- Silicone adhesive (accessory) for secure attachment to the suction cup

Sealing Rings DR-MOS SI

Diameter from 20 mm to 88 mm

Designation Code Sealing Rings DR-MOS SI

DR	–	20/10	–	x2	–	MOS SI-15
1		2		3		4

1 – Abbreviated designation

Code	Version
DR	DR

2 – Diameter

Code	Diameter in mm
20/10...88/64	ø 20/10 to 88/64 (outside/inside)

3 – Height

Code	Height in mm
x2	2
x5	5

4 – Material

Code	Material
MOS SI-15	Foam rubber and silicone

Sealing profile DR-MOS SI is delivered with the desired diameter.

Available accessories: silicone adhesive

Ordering Data Sealing Rings DR-MOS SI

Type	Part no.
DR 20/10x2 MOS SI-15	10.01.06.02618
DR 22.5/13x2 MOS SI-15	10.01.06.02614
DR 32/19x2 MOS SI-15	10.01.06.02615
DR 42/20x5 MOS SI-15	10.01.06.02616
DR 52/33x5 MOS SI-15	10.01.06.02548
DR 62/42x5 MOS SI-15	10.01.06.02617
DR 78/54x5 MOS SI-15	10.01.06.02619
DR 88/64x5 MOS SI-15	10.01.06.02620

Ordering Data Accessories Sealing Rings DR-MOS SI

Type	Part no.
Silicone adhesive	27.03.04.00014

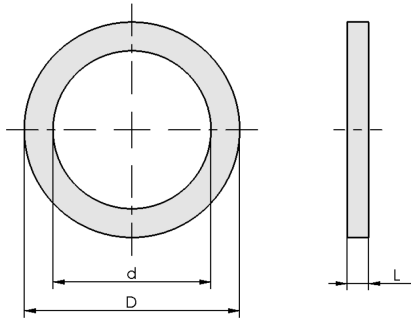
Technical Data Sealing Rings DR-MOS SI

Type	Material type	Temperature resistance [°C]	Color
DR 20/10x2 MOS SI-15	Foam rubber	180	beige
DR 22.5/13x2 MOS SI-15	Foam rubber	180	beige
DR 32/19x2 MOS SI-15	Foam rubber	180	beige
DR 42/20x5 MOS SI-15	Foam rubber	180	beige
DR 52/33x5 MOS SI-15	Foam rubber	180	beige
DR 62/42x5 MOS SI-15	Foam rubber	180	beige
DR 78/54x5 MOS SI-15	Foam rubber	180	beige
DR 88/64x5 MOS SI-15	Foam rubber	180	beige

Sealing Rings DR-MOS SI

Diameter from 20 mm to 88 mm

Design Data Sealing Rings DR-MOS SI



DR-MOS SI

Sealing Rings DR-MOS SI

Diameter from 20 mm to 88 mm

Design Data Sealing Rings DR-MOS SI

Type	d [mm]	D [mm]	L [mm]
DR 20/10x2 MOS SI-15	10	20.0	2
DR 22.5/13x2 MOS SI-15	13	22.5	2
DR 32/19x2 MOS SI-15	19	32.0	2
DR 42/20x5 MOS SI-15	20	42.0	5
DR 52/33x5 MOS SI-15	33	52.0	5
DR 62/42x5 MOS SI-15	42	62.0	5
DR 78/54x5 MOS SI-15	54	78.0	5
DR 88/64x5 MOS SI-15	64	88.0	5