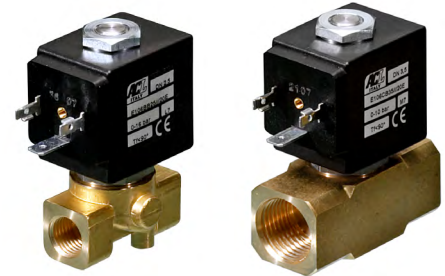


DESCRIPTION

Solenoid valve 2 way direct acting poppet type.
 Bi-stable impulse drive.
 The bi-stable function is achieved by the use of a polarized permanent magnet energizing the coil with a DC current for at least 15ms in the reverse direction of the preceding impulse.

CONSTRUCTION

Body	Brass
Armature tube	AISI 303
Plunger and core	AISI 430FR
Magnet	NeFeB
Springs	AISI 302
Seal material	NBR - FPM - EPDM



Connections
1/8" - 1/4"

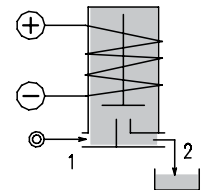
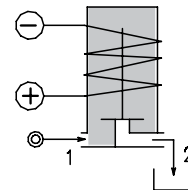
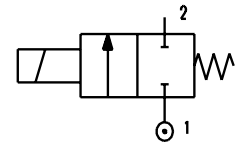
Connections
3/8" - 1/2"

2

FEATURES

Maximum allowable pressure PS 50bar
 Maximum fluid viscosity 25cSt (mm²/s)
 Ambient temperature: from -10°C to +80°C according to the coil
 Universal mounting position

OPTIONS: Electroless nickel plating
 Stainless steel seat insert (up to Ø4.5)



CODE ① ② ③	Connection G ISO 228	Orifice mm	Kv m ³ /h	Differential pressure bar		Nominal power DC Watt	Coil		Seal ①	Temp. range °C
				Min	Max		Series	Width		
D116... ..10///...	1/8" 1/4" 3/8" 1/2"	1	0.04	0	80	10	2	30	NBR=B EPDM=E FPM=V	-10 +90 -10 +120 -10 +120
D116... ..12///...		1.2	0.05	0	60					
D116... ..15///...		1.5	0.07	0	26					
D116... ..20///...		2	0.1	0	20					
D116... ..25///...		2.5	0.15	0	14					
D116... ..30///...		3	0.25	0	10					
D116... ..35///...		3.5	0.32	0	8					
D116... ..40///...		4	0.36	0	5					
D116... ..45///...		4.5	0.41	0	3.5					
D116... ..52///...		5.2	0.47	0	1.8					

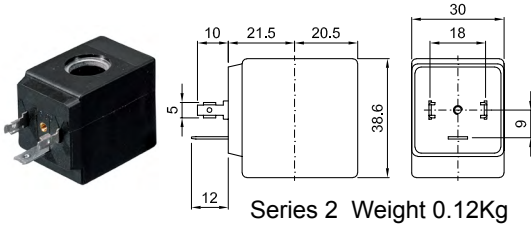
- ① Connection: A=1/8" , B=1/4" , C=3/8" , D=1/2"
- ② Seal Example: D116BB25///201 NBR seal
- ③ Coil Coil 24V DC 10W

COILS ③	Direct Current (V)			Electrical connection	Connectors
	12	24	48		
Series 2 Width 30	200	201	202	DIN 43650A	PG9 code 10349000

DESCRIPTION
 Insulation class F
 Voltage tolerance $\pm 10\%$
 Protection class
 IP65 with connector fitted
 IP00 without connector

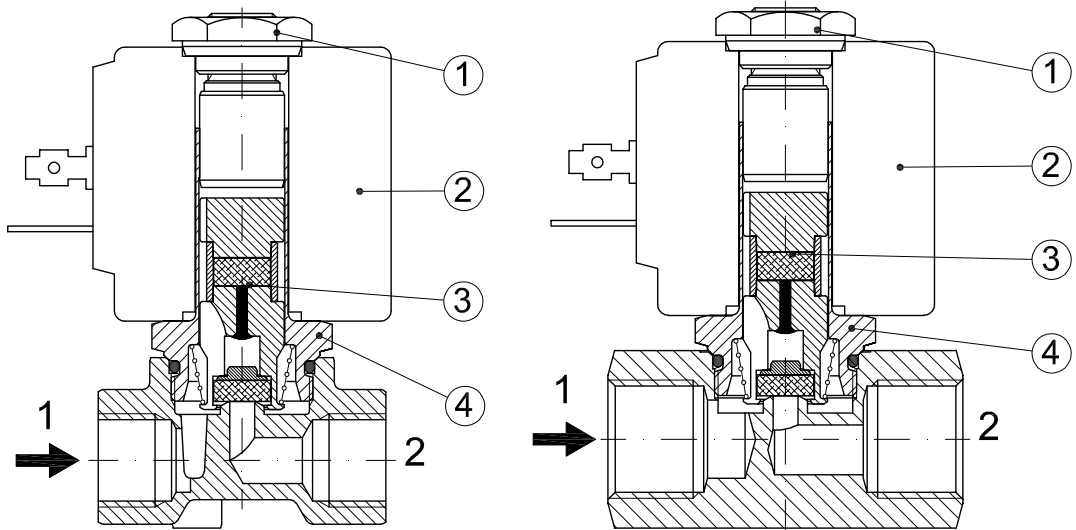
OPTIONS
 Class H insulation
 Cable attached
 Special coil voltage
 Special coil powers

(for coil details see section 8)



SPARE PARTS LIST

1. Coil fixing nut
2. Coil
3. Plunger
4. Armature tube assembly



OVERALL DIMENSION

