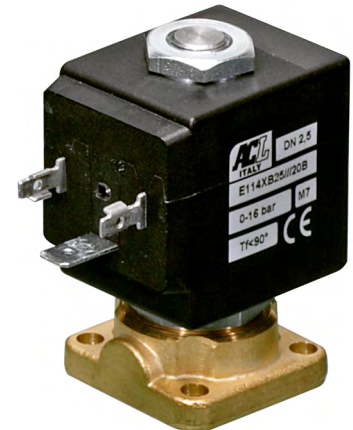


DESCRIPTION

Solenoid valve 2 way normally closed
direct acting poppet type - Flange fixing

CONSTRUCTION

| | |
|------------------|-------------------------|
| Body | Brass |
| Armature tube | AISI 303 |
| Plunger and core | AISI 430FR |
| Springs | AISI 302 |
| Seal material | NBR - FPM - EPDM - PTFE |

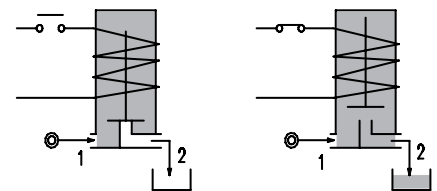
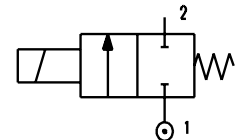


2

FEATURES

Maximum allowable pressure PS 100bar^④
 Maximum fluid viscosity 25cSt (mm²/s)
 Ambient temperature: from -10°C to +80°C according to the coil
 Universal mounting position

- OPTIONS:**
- Manual override
 - Electroless nickel plating
 - Stainless steel seat insert
 - Versions for use with industrial oxygen
 - US certified coils



ON REQUEST: Versions for use with fluid temperature at -40°C

| CODE ① ② | Flange □ 32 | Orifice mm | Kv m ³ /h | Differential pressure bar | | | Nominal power | | | Coil | | Seal ② | Temp. range °C |
|------------------|----------------|---------------|-------------------------|------------------------------|-----|-----|---------------|---------------|------------|--------|-------|-----------|----------------------|
| | | | | Min | Max | | AC Inrush | VA Holding | DC Watt | Series | Width | | |
| | | | | | AC | DC | | | | | | | |
| E114X...10///... | □ 32 | 1 | 0.04 | 0 | 80 | 80 | 20 | 15 | 10 | 2 | 30 | NBR=B | -10 +90 |
| E114X...12///... | | 1.2 | 0.05 | 0 | 60 | 60 | | | | | | | |
| E114X...15///... | | 1.5 | 0.07 | 0 | 30 | 26 | | | | | | | |
| E114X...20///... | | 2 | 0.1 | 0 | 22 | 20 | | | | | | | |
| E114X...25///... | | 2.5 | 0.15 | 0 | 16 | 14 | | | | | | | |
| E114X...30///... | | 3 | 0.25 | 0 | 15 | 10 | | | | | | | |
| E114X...35///... | | 3.5 | 0.32 | 0 | 10 | 8 | | | | | | | |
| E114X...40///... | | 4 | 0.36 | 0 | 8 | 5 | | | | | | | |
| E114X...45///... | | 4.5 | 0.41 | 0 | 6.5 | 3.5 | | | | | | | |
| E114X...10///... | □ 32 | 1 | 0.04 | 0 | 100 | 100 | 40 | 30 | 27 | 5 | 36 | FPM=V | -10 +140 |
| E114X...12///... | | 1.2 | 0.05 | 0 | 100 | 100 | | | | | | | |
| E114X...15///... | | 1.5 | 0.07 | 0 | 80 | 80 | | | | | | | |
| E114X...20///... | | 2 | 0.1 | 0 | 50 | 40 | | | | | | | |
| E114X...25///... | | 2.5 | 0.15 | 0 | 35 | 33 | | | | | | | |
| E114X...30///... | | 3 | 0.25 | 0 | 25 | 24 | | | | | | | |
| E114X...35///... | 3.5 | 0.32 | 0 | 20 | 19 | | | | | | | | |
| E114X...40///... | 4 | 0.36 | 0 | 16 | 15 | | | | | | | | |
| E114X...45///... | 4.5 | 0.41 | 0 | 14 | 13 | | | | | | | | |

① Seal Example: E114XB25///20E NBR seals

② Coil Coil 230V 50/60Hz

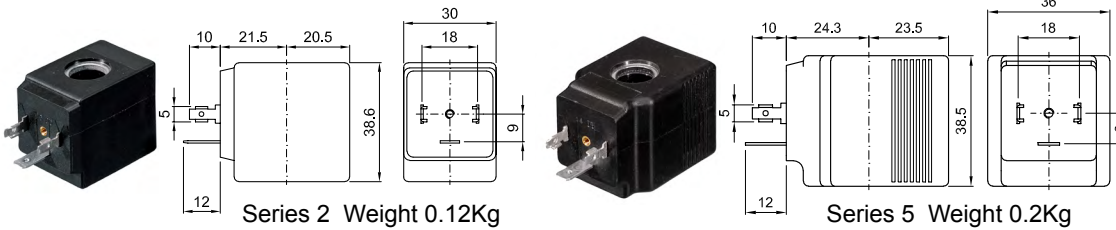
③ Maximum allowable leakage <0.2NI/h

④ The maximum allowable pressure PS for steam is 9bar (gauge pressure) with PTFE seals and 2,5bar with EPDM seals

| COILS ② | Alternating Current 50/60Hz (V) | | | | | | | Direct Current (V) | | | Electrical connection | Connectors |
|----------------------|------------------------------------|-----|-----|-----|------------|-----|-----|-----------------------|-----|-----|--------------------------|--------------------------|
| | 12 | 24 | 48 | 110 | 220 230 | 240 | 380 | 12 | 24 | 48 | | |
| Series 2 Width 30 | 20A | 20B | 20C | 20D | 20E | 20F | 20G | 200 | 201 | 202 | DIN 43650A | PG9 code 10349000 |
| Series 5 Width 36 | 52A | 52B | 52C | 52D | 52E | 52F | 52G | 520 | 521 | 522 | DIN 43650A | PG11 code 10349001 |

DESCRIPTION
 Insulation class
 Series 2 =F Series 5=H
 Voltage tolerance
 AC +15% -10%
 DC ± 10%
 Protection class
 IP65 with connector fitted
 IP00 without connector

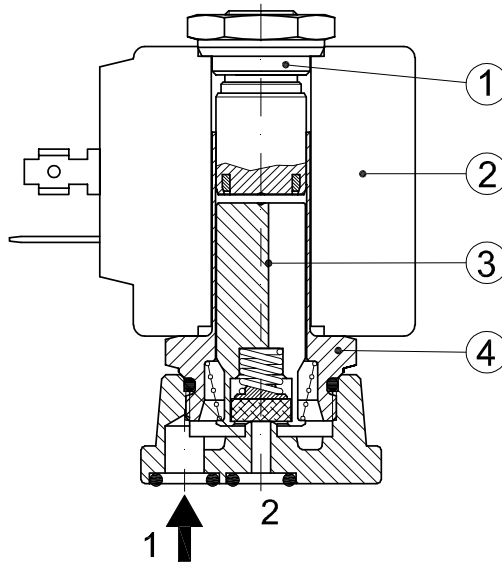
OPTIONS
 Class H insulation (series 2)
 Cable attached
 Special coil voltage
 Special coil powers
 c US certified coils



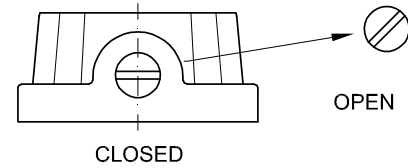
(for coil details see section 8)

SPARE PARTS LIST

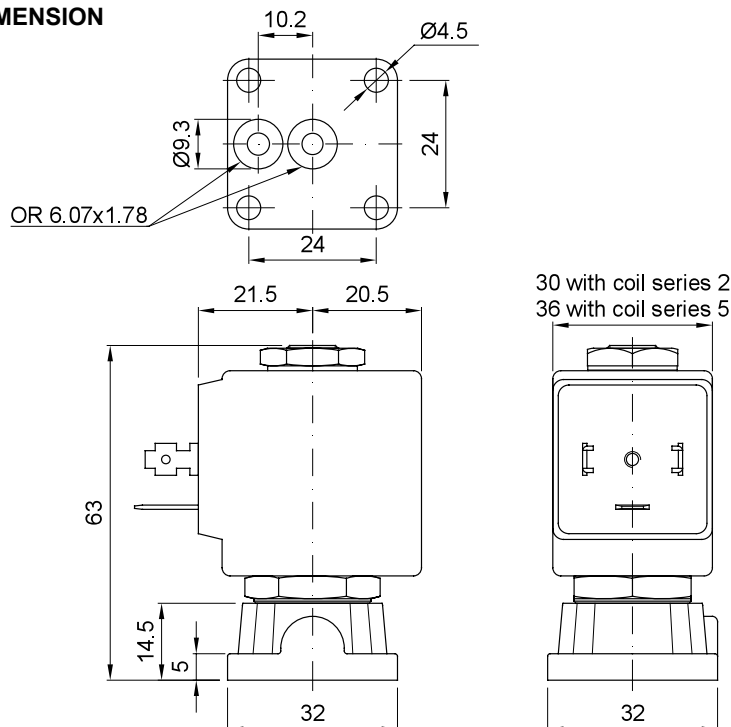
1. Coil fixing nut
2. Coil
3. Plunger
4. Armature tube assembly



MANUAL OVERRIDE



OVERALL DIMENSION



Weight with coil series 2=0.24Kg
 Weight with coil series 5=0.32Kg