

DESCRIPTION

Solenoid valve 2 way normally closed
direct acting poppet type.

With explosion proof coil certified for hazardous area:

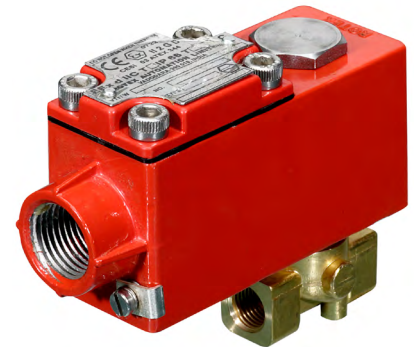
ATEX II 2GDEx d IIC T6 or T5 or T4 Gb

Ex tb IIIC T80°C or T95°C or T130°C Db IP66

Tamb -40°C ÷ +35°C(T6) or +50°C(T5) or +60°C(T4)

CESI 03 ATEX 344 Extension No. 01/12

(other certifications e.g.EAC, INMETRO, CCOE etc. on request)



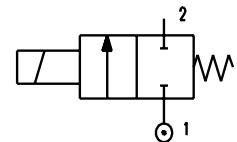
2

VALVE CONSTRUCTION

Body Brass
Seal material NBR - FPM - EPDM

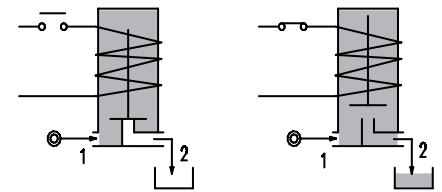
EXPLOSION PROOF COIL CONSTRUCTION

Housing Red colour alloy (painted with epoxy powder)
Electrical connection 1/2" NPT (M20x1.5 on request)



FEATURES

Maximum allowable pressure PS 100bar
Maximum fluid viscosity 25cSt (mm²/s)
Ambient temperature: -40°C ÷ +35°C(T6), +50°C(T5), +60°C(T4)
Mounting position with vertical coil above



OPTIONS: Stainless steel coil housing (see coil X6 section 8)
Manual override
Electroless nickel plating
Stainless steel seat insert (up to Ø4.5)

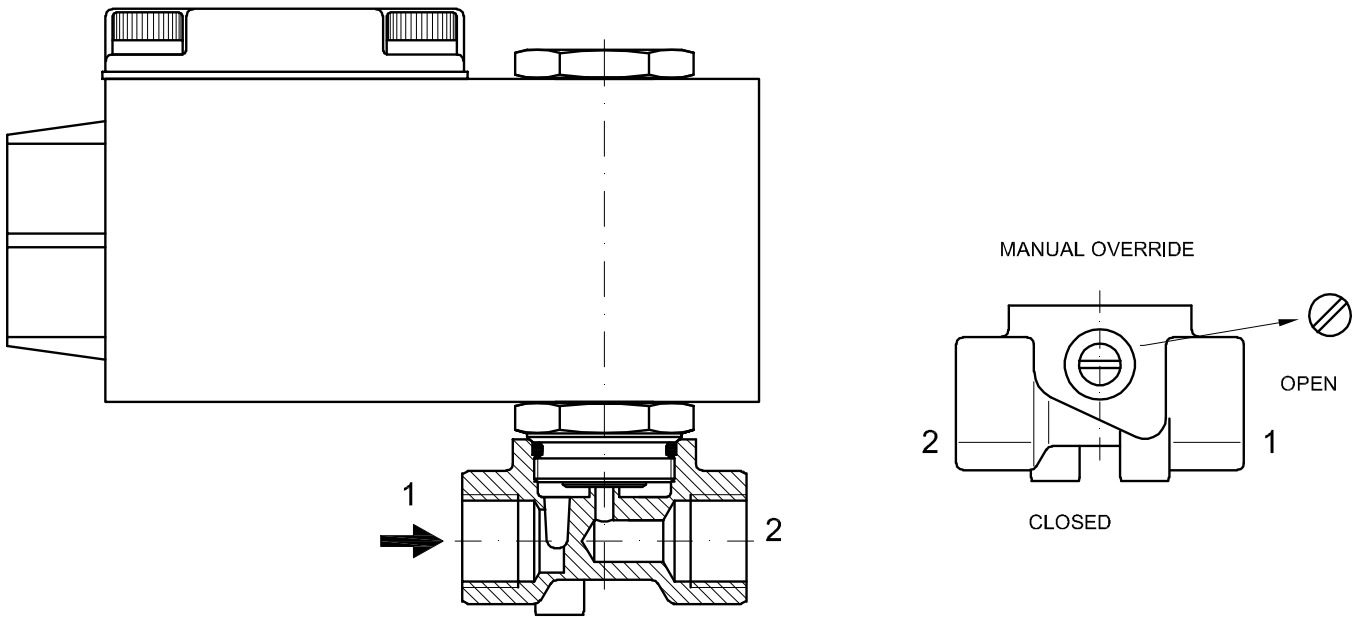
NOTE: The solenoid valve is suitable only with media that are **NOT** potentially explosive

| CODE ① ② ③ | Connection G ISO 228 | Orifice mm | Kv m ³ /h | Differential pressure bar | | | Nominal power | | Coil series | Seal | Temp. range °C | | | | | | | | | | |
|--------------------|----------------------------|---------------|-------------------------|------------------------------|-----|-----|---------------|----|----------------|--------------------------|----------------------|-------|----|----|--------------------------|---------|-------|----|----|--------------------------|---------|
| | | | | Min | Max | | AC Holding | DC | | | | | | | | | | | | | |
| | | | | | AC | DC | | | | | | | | | | | | | | | |
| A106... ..10/1/... | 1/8" | 1 | 0.04 | 0 | 80 | 80 | 12 VA | 8W | A6 | NBR=B EPDM=E FPM=V | -10 +80 | | | | | | | | | | |
| A106... ..12/1/... | | 1.2 | 0.05 | 0 | 60 | 60 | | | | | | | | | | | | | | | |
| A106... ..15/1/... | | 1.5 | 0.07 | 0 | 30 | 26 | | | | | | | | | | | | | | | |
| A106... ..20/1/... | | 2 | 0.1 | 0 | 22 | 20 | | | | | | | | | | | | | | | |
| A106... ..25/1/... | 1/4" | 2.5 | 0.15 | 0 | 16 | 14 | | | | | | 12 VA | 8W | A6 | NBR=B EPDM=E FPM=V | -10 +80 | | | | | |
| A106... ..30/1/... | | 3 | 0.25 | 0 | 15 | 10 | | | | | | | | | | | | | | | |
| A106... ..35/1/... | | 3.5 | 0.32 | 0 | 10 | 8 | | | | | | | | | | | | | | | |
| A106... ..40/1/... | 1/4" | 4 | 0.36 | 0 | 8 | 5 | | | | | | | | | | | 12 VA | 8W | A6 | NBR=B EPDM=E FPM=V | -10 +80 |
| A106... ..45/1/... | | 4.5 | 0.41 | 0 | 6.5 | 3.5 | | | | | | | | | | | | | | | |
| A106... ..52/1/... | | 5.2 | 0.47 | 0 | 4 | 1.8 | | | | | | | | | | | | | | | |
| A106... ..64/1/... | | 6.4 | 0.64 | 0 | 3 | 1 | | | | | | | | | | | | | | | |

- ① Connection: A=1/8" , B=1/4"
- ② Seal
- ③ Coil

| COILS ③ | Alternating Current 50/60Hz (V) | | | | Direct Current (V) | | | Electrical connection |
|------------|------------------------------------|-----|-----|------------|-----------------------|-----|-----|--------------------------|
| | 24 | 48 | 110 | 220 230 | 12 | 24 | 48 | |
| Series A6 | A6B | A6C | A6D | A6E | A60 | A61 | A62 | 1/2" NPT |

DESCRIPTION
 Voltage tolerance
 AC +15% -10%
 DC ± 10%
 Protection class IP66
 Continuous service ED100%



OVERALL DIMENSION

