

**DESCRIPTION**

Solenoid valve 2 way normally open  
direct acting poppet type

**CONSTRUCTION**

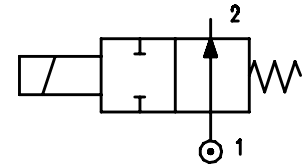
Body	Brass
Armature tube	AISI 303
Plunger and core	AISI 430FR
Springs	AISI 302
Seal material	NBR - FPM - EPDM



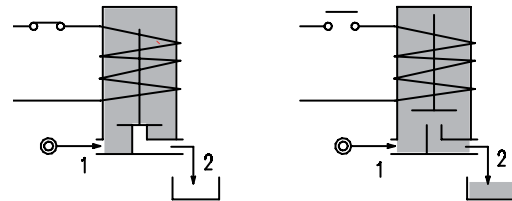
**2**

**FEATURES**

Maximum allowable pressure PS 50bar  
 Maximum fluid viscosity 25cSt (mm<sup>2</sup>/s)  
 Ambient temperature: from -10°C to +80°C according to the coil  
 Universal mounting position



**OPTIONS:** Electroless nickel plating  
 c us certified coils



CODE ① ②	Connection G ISO 228	Orifice mm	Kv m <sup>3</sup> /h	Differential pressure bar			Nominal power			Coil		Temp. range °C	
				Min	Max		AC Inrush	VA Holding	DC Watt	Series	Width		Seal ①
E203A...20///...	1/8"	2	0.1	0	16	16	20	15	10	2	30	NBR=B	-10 +90
E203A...25///...		2.5	0.14	0	13	13						EPDM=E	-10 +140
E203A...29///...		2.9	0.17	0	10	10						FPM=V	-10 +140

- ① Seal
- ② Coil

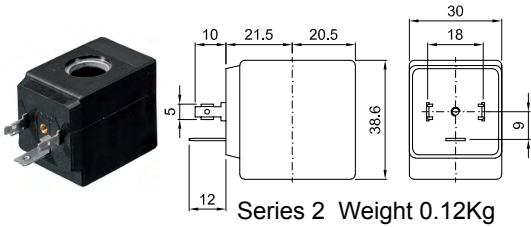
Example: E203AV25///20E FPM seal  
 Coil 230V 50/60Hz

COILS ②	Alternating Current 50/60Hz (V)							Direct Current (V)			Electrical connection	Connectors
	12	24	48	110	220 230	240	380	12	24	48		
Series 2 Width 30	20A	20B	20C	20D	20E	20F	20G	200	201	202	DIN 43650A	PG9 code 10349000

**DESCRIPTION**  
 Class F insulation  
 Voltage tolerance  
 AC +15% -10%  
 DC ± 10%  
 Protection class  
 IP65 with connector fitted  
 IP00 without connector  
 Continuous service ED100%

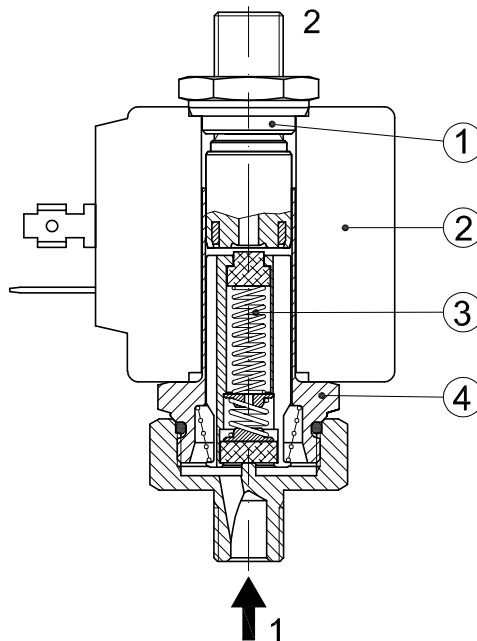
**OPTIONS**  
 Class H insulation  
 Cable attached  
 Special coil voltage  
 Special coil powers  
 US certified coils

(for coil details see section 8)



### SPARE PARTS LIST

1. Coil fixing nut
2. Coil
3. Plunger
4. Armature tube assembly



### OVERALL DIMENSION

