

DESCRIPTION

Solenoid valve 2 way normally open
direct acting poppet type

CONSTRUCTION

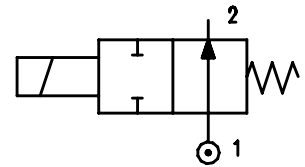
Body	Brass
Armature tube	Brass
Plunger and core	AISI 430FR
Springs	AISI 302
Seal material	NBR - FPM - EPDM



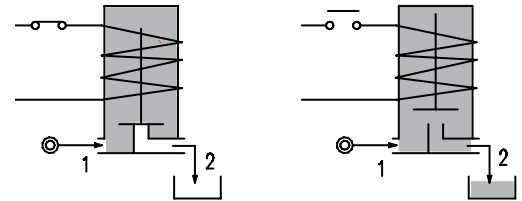
2

FEATURES

Maximum allowable pressure PS 50bar
Maximum fluid viscosity 25cSt (mm²/s)
Ambient temperature: from -10°C to +80°C according to the coil
Universal mounting position



OPTIONS: Stainless steel armature tube
Electroless nickel plating
Explosion proof coil according to ATEX - EExmII Series 7
User port with hosetail connection
c US certified coils



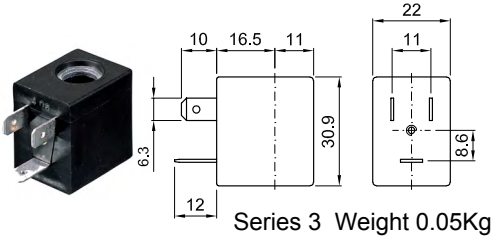
CODE ① ②	Connection G ISO 228	Orifice mm	Kv m ³ /h	Differential pressure bar			Nominal power			Coil		Seal ①	Temp. range °C
				Min	Max AC DC		AC Inrush	VA Holding	DC Watt	Series	Width		
User port with M5 connection													
E204A...15///...	1/8"	1.5	0.06	0	16	16	12	8	6.5	3	22	NBR=B	-10 +90
E204A...17///...		1.7	0.08	0	12	12							
User port with hosetail connection													
E204A...15/1/...	1/8"	1.5	0.06	0	16	16	12	8	6.5	3	22	EPDM=E	-10 +140
E204A...17/1/...		1.7	0.08	0	12	12							
User port with hosetail connection and relief valve													
E204A...15/3/...	1/8"	1.5	0.06	0	16	16	12	8	6.5	3	22	FPM=V	-10 +140
E204A...17/3/...		1.7	0.08	0	12	12							

① Seal Example: E204AB17///301 NBR seal
② Coil Coil 24V DC

COILS ②	Alternating Current 50/60Hz (V)							Direct Current (V)			Electrical connection	Connectors
	12	24	48	110	220 230	240	380	12	24	48		
Series 3 Width 22	30A	30B	30C	30D	30E	30F	30G	300	301	302	DIN 46244	PG9 code 10348000

DESCRIPTION
 Class F insulation
 Voltage tolerance
 AC +15% -10%
 DC ± 10%
 Protection class
 IP65 with connector fitted
 IP00 without connector
 Continuous service ED100%

OPTIONS
 Class H insulation
 Cable attached
 Special coil voltage
 Special coil powers
 cULus certified coils

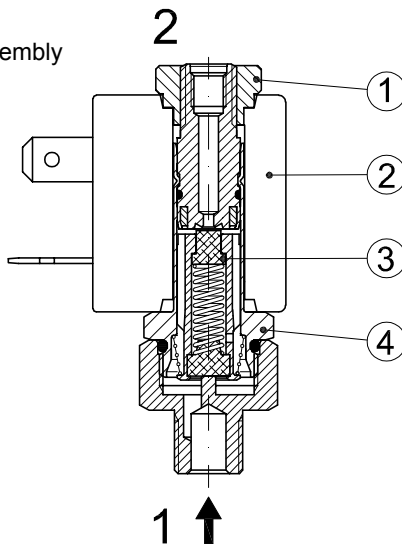


Series 3 Weight 0.05Kg

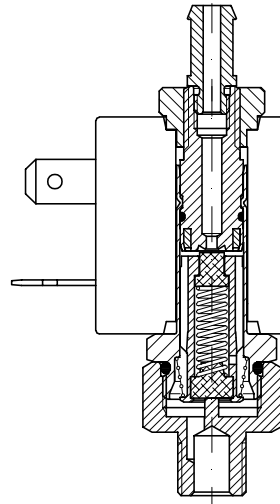
(for coil details see section 8)

SPARE PARTS LIST

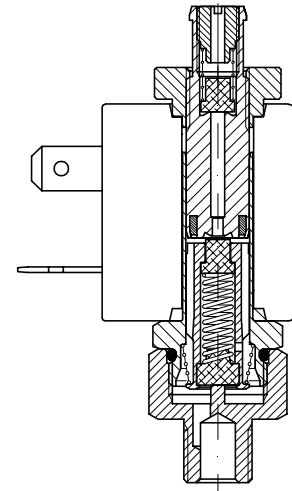
1. Coil fixing nut
2. Coil
3. Plunger
4. Armature tube assembly



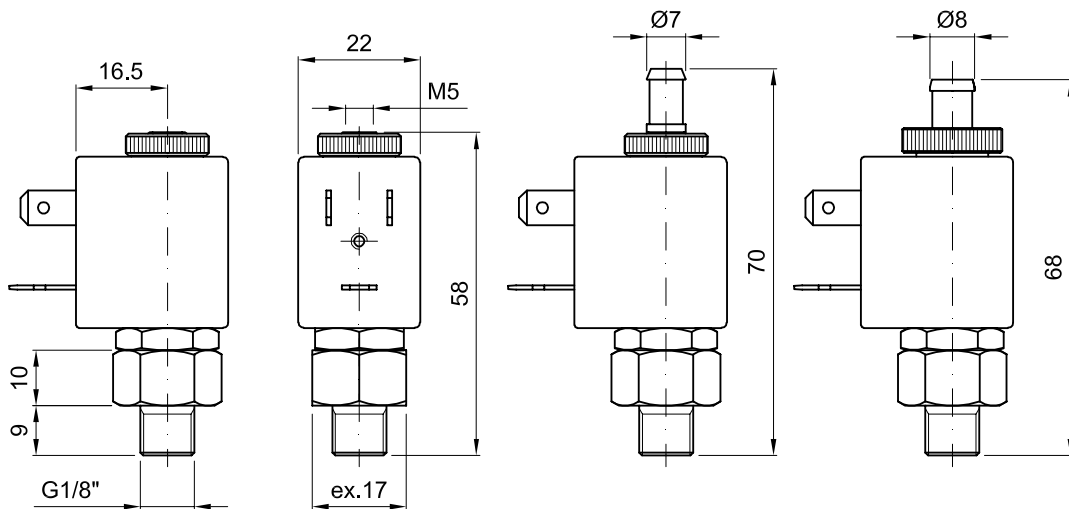
Hosetail



Hosetail with relief valve



OVERALL DIMENSION



Weight with coil series 3=0.13Kg
 Weight with coil series 4=0.18Kg