

DESCRIPTION

Solenoid valve 2 way normally open
direct acting poppet type

CONSTRUCTION

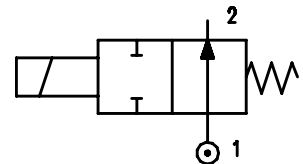
| | |
|------------------|------------------|
| Body | AISI 303 |
| Armature tube | AISI 303 |
| Plunger and core | AISI 430FR |
| Springs | AISI 302 |
| Seal material | NBR - FPM - EPDM |



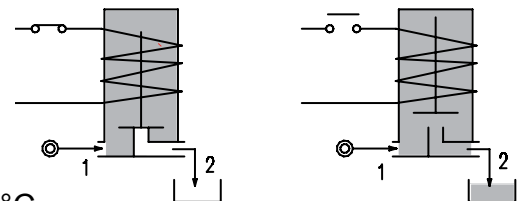
2

FEATURES

Maximum allowable pressure PS 50bar^③
 Maximum fluid viscosity 25cSt (mm²/s)
 Ambient temperature: from -10°C to +80°C according to the coil
 Universal mounting position



OPTIONS: Explosion proof coil according to ATEX - EExmII Series 7
 Versions for use with industrial oxygen
 c us certified coils



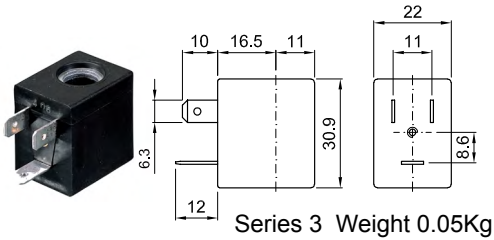
ON REQUEST: Versions for use with fluid temperature at -40°C
 Manual override

| CODE ① ② | Connection G ISO 228 | Orifice mm | Kv m ³ /h | Differential pressure bar | | | Nominal power | | | Coil | | Temp. range °C | |
|------------------|----------------------------|---------------|-------------------------|------------------------------|-----|-----|---------------|---------------|------------|--------|-------|----------------------|-----------|
| | | | | Min | Max | | AC Inrush | VA Holding | DC Watt | Series | Width | | Seal ① |
| E211A...12///... | 1/8" | 1.2 | 0.04 | 0 | 19 | 19 | 12 | 8 | 6.5 | 3 | 22 | NBR=B | -10 +90 |
| E211A...15///... | | 1.5 | 0.06 | 0 | 14 | 14 | | | | | | | |
| E211A...20///... | | 2 | 0.09 | 0 | 8 | 8 | | | | | | FPM=V | -10 +140 |
| E211A...25///... | | 2.5 | 0.14 | 0 | 4.5 | 4.5 | | | | | | | |
| E211A...31///... | | 3.1 | 0.19 | 0 | 2.5 | 2.5 | | | | | | | |

- ① Seal Example: E211AB15///300 NBR seal
- ② Coil Coil 12V DC
- ③ Direct current (DC) series 3 coil available only without UL certification
- ④ The maximum allowable pressure PS for steam is 2.5bar (gauge pressure)

| COILS ③ | Alternating Current 50/60Hz (V) | | | | | | | Direct Current (V) | | | Electrical connection | Connectors |
|----------------------|------------------------------------|-----|-----|-----|------------|-----|-----|-----------------------|-----|-----|--------------------------|-------------------------|
| | 12 | 24 | 48 | 110 | 220 230 | 240 | 380 | 12 | 24 | 48 | | |
| Series 3 Width 22 | 30A | 30B | 30C | 30D | 30E | 30F | 30G | 300 | 301 | 302 | DIN 46244 | PG9 code 10348000 |

DESCRIPTION
 Class F insulation
 Voltage tolerance
 AC +15% -10%
 DC ± 10%
 Protection class
 IP65 with connector fitted
 IP00 without connector
 Continuous service ED100%



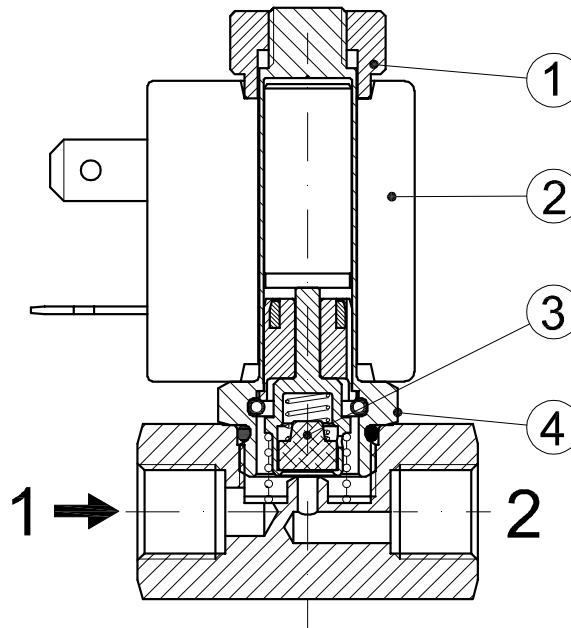
Series 3 Weight 0.05Kg

OPTIONS
 Class H insulation
 Cable attached
 Special coil voltage
 Special coil powers
 CE us certified coils

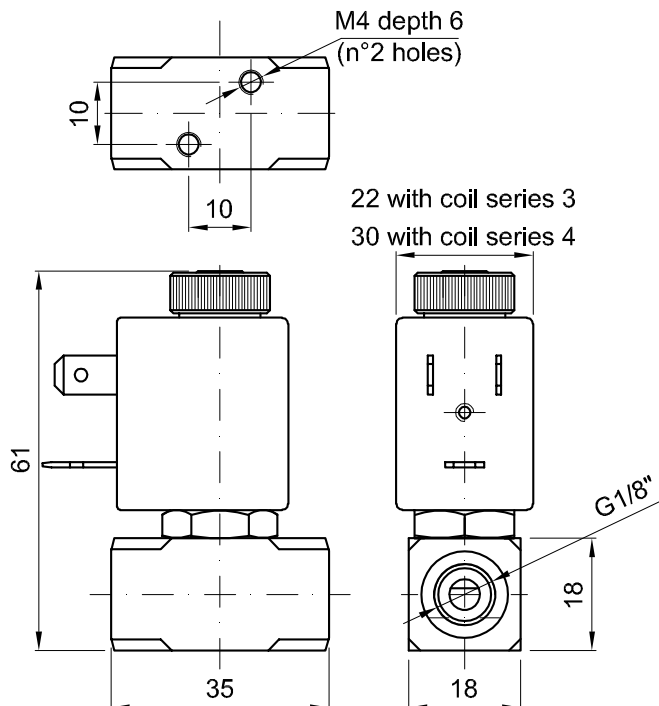
(for coil details see section 8)

SPARE PARTS LIST

1. Coil fixing nut
2. Coil
3. Seal assembly
4. Armature tube assembly



OVERALL DIMENSION



Weight = 0.15Kg