

DESCRIPTION

Solenoid valve 2 way normally open
direct acting poppet type - Flange fixing

CONSTRUCTION

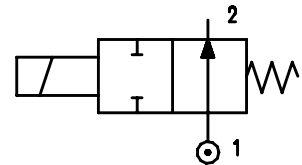
Body	Brass
Armature tube	Brass
Plunger and core	AISI 430FR
Springs	AISI 302
Seal material	NBR - FPM - EPDM



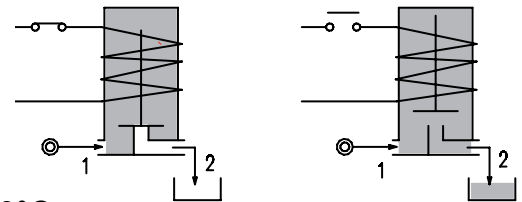
2

FEATURES

Maximum allowable pressure PS 50bar^④
Maximum fluid viscosity 25cSt (mm²/s)
Ambient temperature: from -10°C to +80°C according to the coil
Universal mounting position



OPTIONS: Stainless steel armature tube
Electroless nickel plating
Explosion proof coil according to ATEX - EExmII Series 7
 us certified coils



ON REQUEST: Versions for use with fluid temperature at -40°C
Manual override

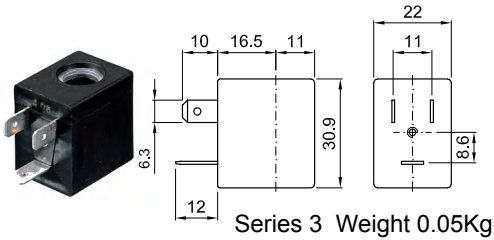
CODE ① ②	Flange □ 25	Orifice mm	Kv m ³ /h	Differential pressure bar			Nominal power			Coil		Seal ①	Temp. range °C
				Min	Max		AC Inrush	VA Holding	DC Watt	Series	Width		
					AC	DC ③							
E212X...12///...	□ 25	1.2	0.04	0	19	19	12	8	6.5	3	22	NBR=B EPDM=E FPM=V	-10 +90 -10 0+140 -10 +140
E212X...15///...		1.5	0.06	0	14	14							
E212X...20///...		2	0.09	0	8	8							
E212X...25///...		2.5	0.14	0	4.5	4.5							

① Seal Example: E212AB15///300 NBR seal
② Coil Coil 12V DC
③ Direct current (DC) series 3 coil available only without UL certification

④ The maximum allowable pressure PS for steam is 2.5bar (gauge pressure)

COILS ②	Alternating Current 50/60Hz (V)							Direct Current (V)			Electrical connection	Connectors
	12	24	48	110	220 230	240	380	12	24	48		
Series 3 Width 22	30A	30B	30C	30D	30E	30F	30G	300	301	302	DIN 46244	PG9 code 10348000

DESCRIPTION
 Class F insulation
 Voltage tolerance
 AC +15% -10%
 DC ± 10%
 Protection class
 IP65 with connector fitted
 IP00 without connector
 Continuous service ED100%



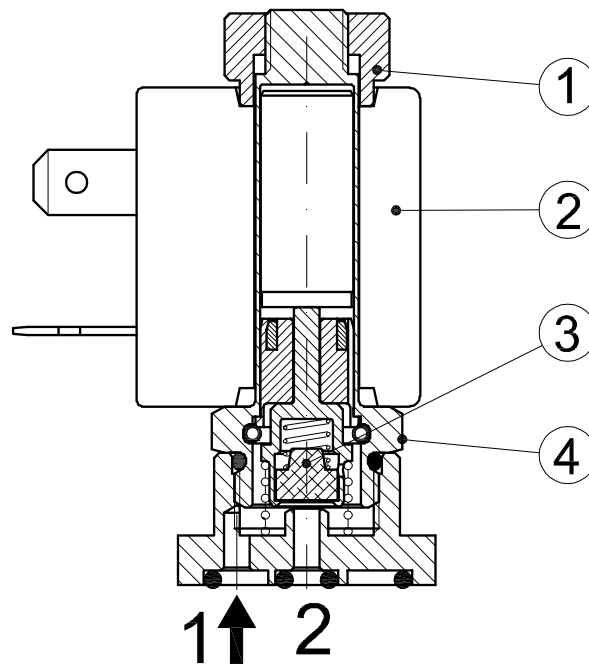
Series 3 Weight 0.05Kg

OPTIONS
 Class H insulation
 Cable attached
 Special coil voltage
 Special coil powers
 cULus certified coils

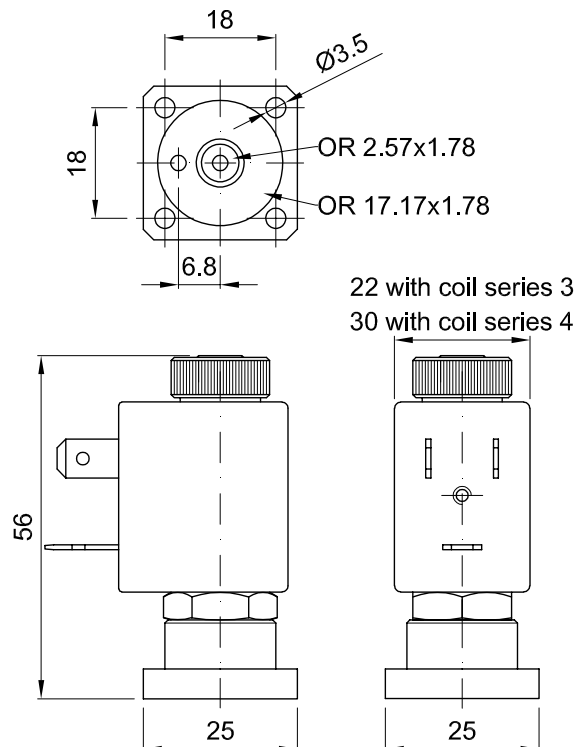
(for coil details see section 8)

SPARE PARTS LIST

1. Coil fixing nut
2. Coil
3. Seal assembly
4. Armature tube assembly



OVERALL DIMENSION



Weight = 0.15Kg