

**DESCRIPTION**

Solenoid valve 2 way normally open  
direct acting poppet type - Flange fixing

**CONSTRUCTION**

Body	Brass
Armature tube	Brass
Plunger and core	AISI 430FR
Springs	AISI 302
Seal material	NBR - FPM - EPDM



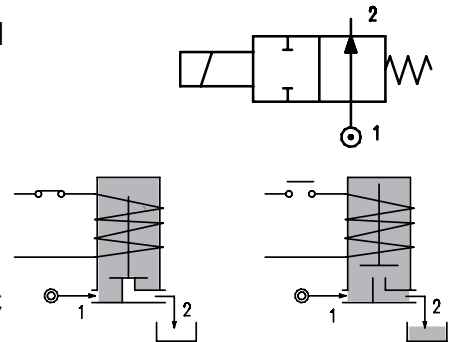
**2**

**FEATURES**

Maximum allowable pressure PS 50bar<sup>③</sup>  
Maximum fluid viscosity 25cSt (mm<sup>2</sup>/s)  
Ambient temperature: from -10°C to +80°C according to the coil  
Universal mounting position

**OPTIONS:** Stainless steel armature tube  
Electroless nickel plating  
c US certified coils

**ON REQUEST:** Versions for use with fluid temperature at -40°C  
Manual override



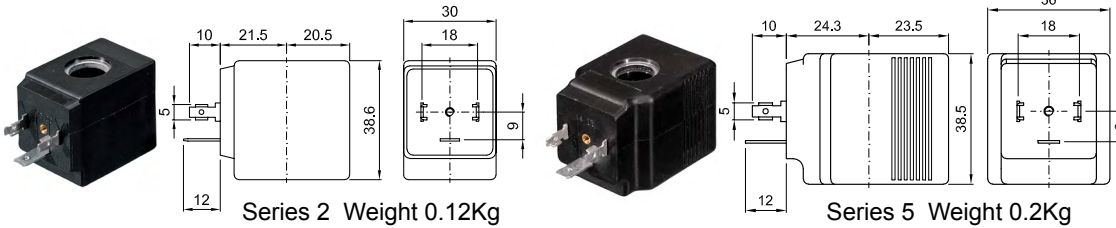
CODE ① ②	Flange □ 32	Orifice mm	Kv m <sup>3</sup> /h	Differential pressure bar			Nominal power			Coil		Seal ①	Temp. range °C
				Min	Max		AC Inrush	VA Holding	DC Watt	Series	Width		
					AC	DC							
E214X ...15///...	□ 32	1.5	0.07	0	23	-	20	15	-	2	30	NBR=B EPDM=E FPM=V	-10 +90 -10 +140 -10 +140
E214X ...20///...		2	0.1	0	17	-							
E214X ...25///...		2.5	0.15	0	12	-							
E214X ...30///...		3	0.25	0	9	-							
E214X ...35///...		3.5	0.32	0	7	-							
E214X ...40///...		4	0.36	0	5.5	-							
E214X ...45///...		4.5	0.41	0	4.5	-							
D214X ...15/5/...	□ 32	1.5	0.07	0	-	18	-	-	10	2	30		
D214X ...20/5/...		2	0.1	0	-	11							
D214X ...25/5/...		2.5	0.15	0	-	7							
D214X ...30/5/...		3	0.25	0	-	6.5							
D214X ...35/5/...		3.5	0.32	0	-	4							
D214X ...40/5/...		4	0.36	0	-	3.5							
D214X ...45/5/...		4.5	0.41	0	-	3							
E214X ...15///...	□ 32	1.5	0.07	0	23	23	40	30	27	5	36		
E214X ...20///...		2	0.1	0	17	17							
E214X ...25///...		2.5	0.15	0	12	12							
E214X ...30///...		3	0.25	0	9	9							
E214X ...35///...		3.5	0.32	0	7	7							
E214X ...40///...		4	0.36	0	5.5	5.5							
E214X ...45///...		4.5	0.41	0	4.5	4.5							

- ① Seal
  - ② Coil
  - ③ The maximum allowable pressure PS for steam is 2.5bar (gauge pressure)
- Example: E214XB20///20E NBR seal  
Coil 230V 50/60Hz

COILS ②	Alternating Current 50/60Hz (V)							Direct Current (V)			Electrical connection	Connectors
	12	24	48	110	220 230	240	380	12	24	48		
Series 2 Width 30	20A	20B	20C	20D	20E	20F	20G	200	201	202	DIN 43650A	PG9 code 10349000
Series 5 Width 36	52A	52B	52C	52D	52E	52F	52G	520	521	522	DIN 43650A	PG11 code 10349001

**DESCRIPTION**  
 Insulation class  
 Series 2 = F Series 5 = H  
 Voltage tolerance  
 AC +15% -10%  
 DC ± 10%  
 Protection class  
 IP65 with connector fitted  
 IP00 without connector

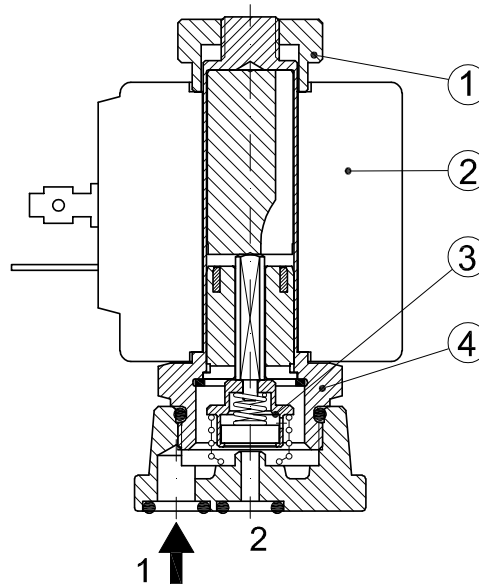
**OPTIONS**  
 Class H insulation (series 2)  
 Cable attached  
 Special coil voltage  
 Special coil powers  
 c US certified coils



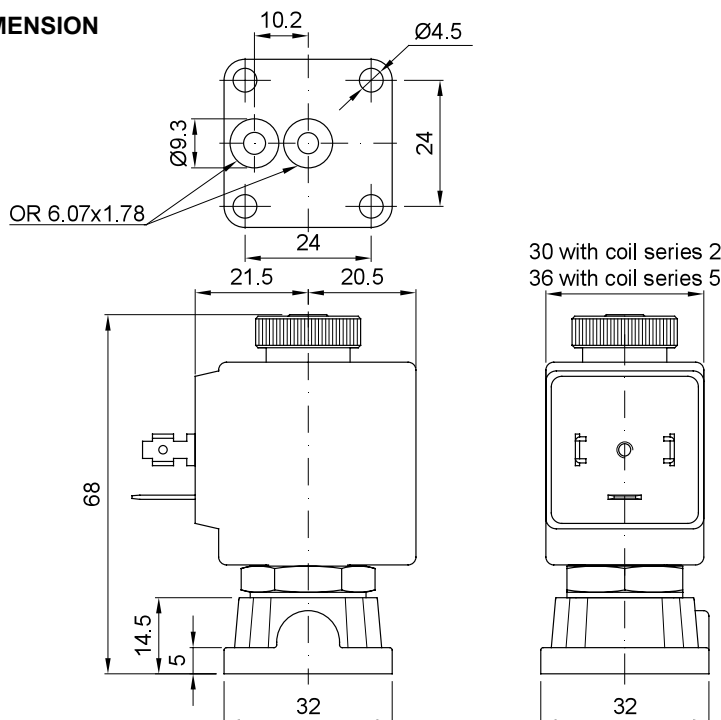
(for coil details see section 8)

### SPARE PARTS LIST

1. Coil fixing nut
2. Coil
3. Seal assembly
4. Armature tube assembly



### OVERALL DIMENSION



Weight with coil series 2 = 0.25Kg  
 Weight with coil series 5 = 0.33Kg