

DESCRIPTION

Solenoid valve in line normally open direct acting poppet type.

CONSTRUCTION

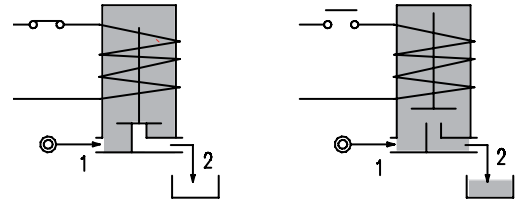
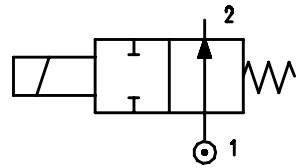
Body/Armature tube	AISI 303
Plunger and core	AISI 430FR
Springs	AISI 302
Seal material	NBR - FPM - EPDM



FEATURES

- Maximum allowable pressure 15bar
- Maximum fluid viscosity 25cSt (mm²/s)
- Ambient temperature: from -10°C to +80°C according to the coil
- Universal mounting position

- OPTIONS:** Mounting bracket
 Versions for use with industrial oxygen
 c us certified coils



2

CONFIGURATIONS ①			
G1/8"MALE - Push-on for pipes Ø6x4 NW	G1/8"MALE - G1/8"FEMALE NA	G1/8"FEMALE - Push-on for pipes Ø6x4 AW	G1/8"FEMALE - G1/8"FEMALE AA

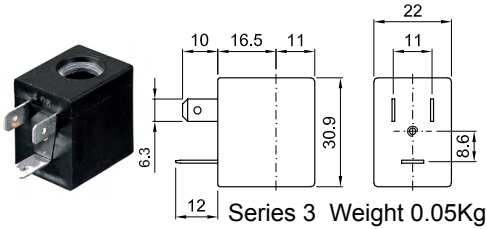
CODE ① ② ③	Orifice mm	Kv m ³ /h	Differential pressure bar			Electrical data		Coil		Seal ②	Temperature range °C
			Min	Max AC DC		Voltage (V)	Power	Series	Width		
E230... ..15///...	1.5	0.05	0	10	10	All standard voltages	6.5W or 8VA	3	22	NBR=B FPM=V EPDM=E	-10 +90 -10 +140 -10 +140

- ① Configuration Example: E230NAB15///30B - G1/8"male - G1/8" female connections
- ② Seal NBR seal - 24V 50/60Hz 8VA
- ③ Coil

COILS ③	Alternating Current 50/60Hz (V)							Direct Current (V)			Electrical connection	Connectors
	12	24	48	110	220 230	240	380	12	24	48		
Series 3 Width 22 6.5W or 8VA	30A	30B U35B c	30C	30D U35D c	30E	30F U35F c	30G	300 c	301 c	302	DIN 46244	PG9 CODE 10348000

DESCRIPTION
 Class F insulation
 Voltage tolerance
 AC +15% -10%
 DC ± 10%
 Protection class
 IP65 with connector fitted
 IP00 without connector
 Continuous service ED100%

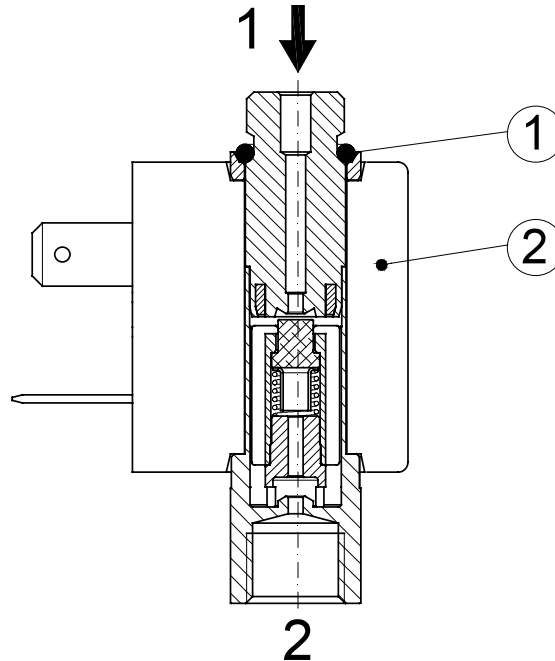
OPTIONS
 Class H insulation
 Cable attached
 Special coil voltage
 Special coil powers
 c certified coils



(for coil details see section 8)

SPARE PARTS LIST

1. OR
2. Coil



OVERALL DIMENSIONS

