

**DESCRIPTION**

Solenoid valve 2 way normally open in stainless steel AISI 316 direct acting poppet type

**CONSTRUCTION**

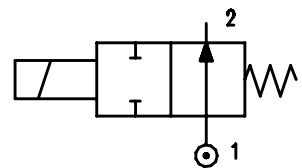
Body	AISI 316
Armature tube	AISI 316
Plunger and core	AISI 430FR
Shading ring	Silver
Springs	AISI 316
Seal material	NBR - FPM - EPDM



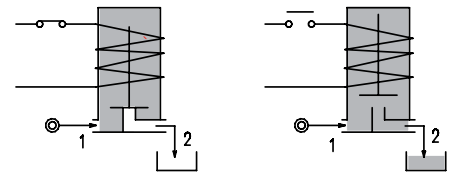
**2**

**FEATURES**

- Maximum allowable pressure PS 50bar<sup>③</sup>
- Maximum fluid viscosity 25cSt (mm<sup>2</sup>/s)
- Ambient temperature: from -10°C to +80°C according to the coil
- Universal mounting position



**OPTIONS:** Versions for use with industrial oxygen Series 7 explosion proof coil according to ATEX - EExmII  
 us certified coils



**ON REQUEST:** Versions for use with fluid temperature at -40°C

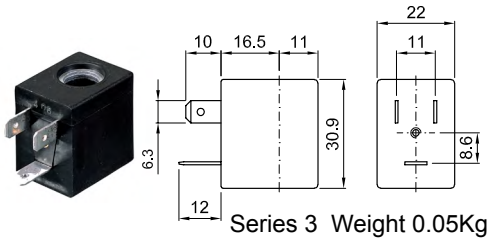
CODE ① ②	Connection G ISO 228	Orifice mm	Kv m <sup>3</sup> /h	Differential pressure bar			Nominal power			Coil		Seal ①	Temp. range °C
				Min	Max		AC Inrush	VA Holding	DC Watt	Series	Width		
					AC	DC							
E271A...12///...	1/8"	1.2	0.04	0	19	19	12	8	6.5	3	22	NBR=B	-10 +90
E271A...15///...		1.5	0.06	0	14	14							
E271A...20///...		2	0.09	0	8	8							
E271A...25///...		2.5	0.14	0	4.5	4.5							
E271A...31///...		3.1	0.19	0	2.5	2.5							

① Seal Example: E271AB15///300 NBR seal  
 ② Coil Coil 12V DC

③ The maximum allowable pressure PS for steam is 2.5bar (gauge pressure)

COILS ②	Alternating Current 50/60Hz (V)							Direct Current (V)			Electrical connection	Connectors
	12	24	48	110	220 230	240	380	12	24	48		
Series 3 Width 22	30A	30B	30C	30D	30E	30F	30G	300	301	302	DIN 46244	PG9 code 10348000

**DESCRIPTION**  
 Class F insulation  
 Voltage tolerance  
 AC +15% -10%  
 DC ± 10%  
 Protection class  
 IP65 with connector fitted  
 IP00 without connector  
 Continuous service ED100%

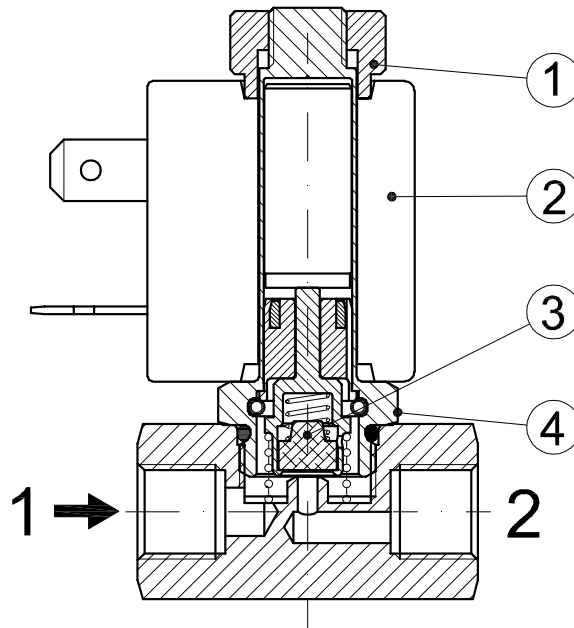


**OPTIONS**  
 Class H insulation  
 Cable attached  
 Special coil voltage  
 Special coil powers  
 CE certified coils

(for coil details see section 8)

### SPARE PARTS LIST

1. Coil fixing nut
2. Coil
3. Seal assembly
4. Armature tube assembly



### OVERALL DIMENSION

