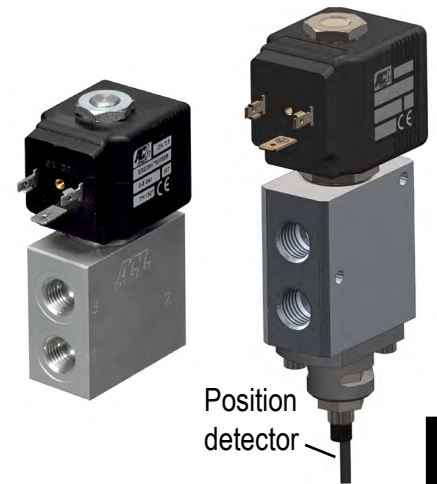


## DESCRIPTION

Solenoid valve 3 way direct acting poppet type.  
 The balanced seal and the special construction allows a big flow.  
 The solenoid valve can be used as normally closed, normally open, mixing or diverting.  
 On request with position detector (with led).



Position detector

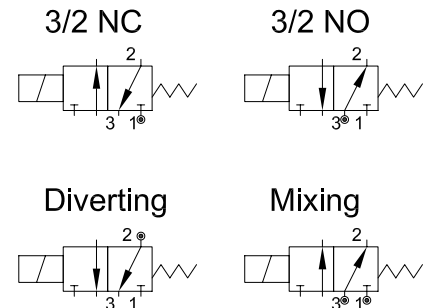
**3**

## CONSTRUCTION

Body	Anodized aluminium (series 320,321,322) AISI 303 (series 323,324,325)
Armature tube	AISI 303
Plunger and core	AISI 430FR
Springs	AISI 302
Seal material	FPM

## FEATURES

Maximum allowable pressure PS 50bar  
 Maximum fluid viscosity 25cSt (mm<sup>2</sup>/s)  
 Ambient temperature: from -10°C to +80°C according to the coil  
 Universal mounting position



## OPTIONS

- Position detector with 2 mt prewired connection cable 2-wires (option /P2)
- Position detector with 2 mt prewired connection cable 3-wires (option /P3)
- Position detector with 3-pin M8 connector to be wired (option /PC)

CODE ① ②	Connection G ISO 228	Orifice mm		Kv m <sup>3</sup> /h	Differential pressure bar			Nominal power			Coil		Seal ①	Temp. range °C		
		1→2	2→3		Min	Max	AC	DC	AC	VA	DC	Series			Width	
<b>ANODIZED ALUMINIUM BODY</b>																
<b>Universal</b>																
E320BV75///...	G1/4"	7.5	7.5	0.64	0	5	5	40	30	27	5	36	FPM=V	-10 +140		
<b>NC Normally closed</b>																
E321BV75///...	G1/4"	7.5	7.5	0.64	0	9	9	40	30	27	5	36				
<b>NO Normally open</b>																
E322BV75///...	G1/4"	7.5	7.5	0.64	0	9	9	40	30	27	5	36				

<b>STAINLESS STEEL BODY</b>																
<b>Universal</b>																
E323BV75///...	G1/4"	7.5	7.5	0.64	0	5	5	40	30	27	5	36	FPM=V	-10 +140		
<b>NC Normally closed</b>																
E324BV75///...	G1/4"	7.5	7.5	0.64	0	9	9	40	30	27	5	36				
<b>NO Normally open</b>																
E325BV75///...	G1/4"	7.5	7.5	0.64	0	9	9	40	30	27	5	36				

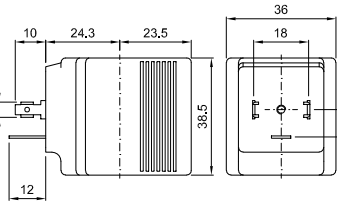
- ① Seal
- ② Coil

Example: E320BV75///521 Universal, FPM seal, coil 24V DC  
 E320BV75/P2/521 Universal, FPM seal, coil 24V DC,  
 with position detector 2-wires prewired

COILS ②	Alternating Current 50/60Hz (V)							Direct Current (V)			Electrical conn.	Connectors
	12	24	48	110	220 230	240	380	12	24	48		
Series 5 Width 36	52A	52B	52C	52D	52E	52F	52G	520	521	522	DIN 43650A	PG11 code 10349001

### POSITION DETECTOR DESCRIPTION

Inlet 10÷30V max  
 Curr. consumption max 10mA  
 Output signal PNP  
 Output contact NO  
 Pre-wired 2 poles PVC cable, L=2mt (code 15148000)  
 Pre-wired 3 poles PVC cable, L=2mt (code 15147000)  
 3 pin M8 connector to be wired (code 15103000)  
 Yellow led indicator  
 IP protection class IP67  
 Ambient temp. -25°C÷+70°C  
 CE cURus omologations  
 (for further details see section 8)



Series 5 Weight 0.2Kg

### COIL DESCRIPTION

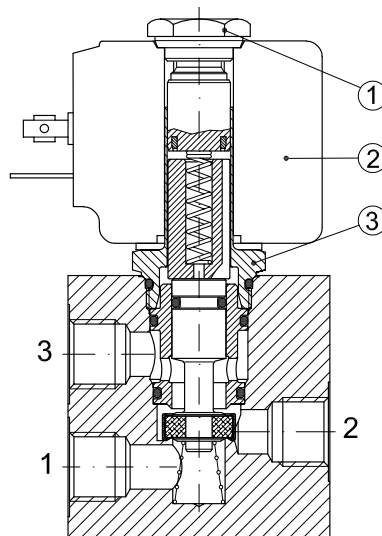
Class H insulation  
 Voltage tolerance  
 AC +15%-10% DC ± 10%  
 IP65 with connector fitted  
 IP00 without connector

### OPTIONS

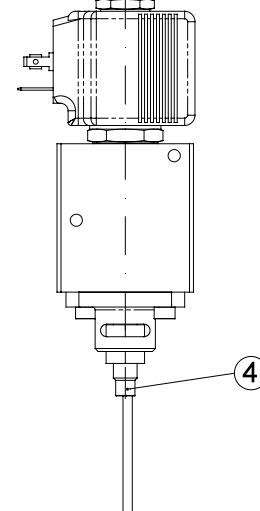
Cable attached  
 Special voltage and powers

### SPARE PARTS LIST

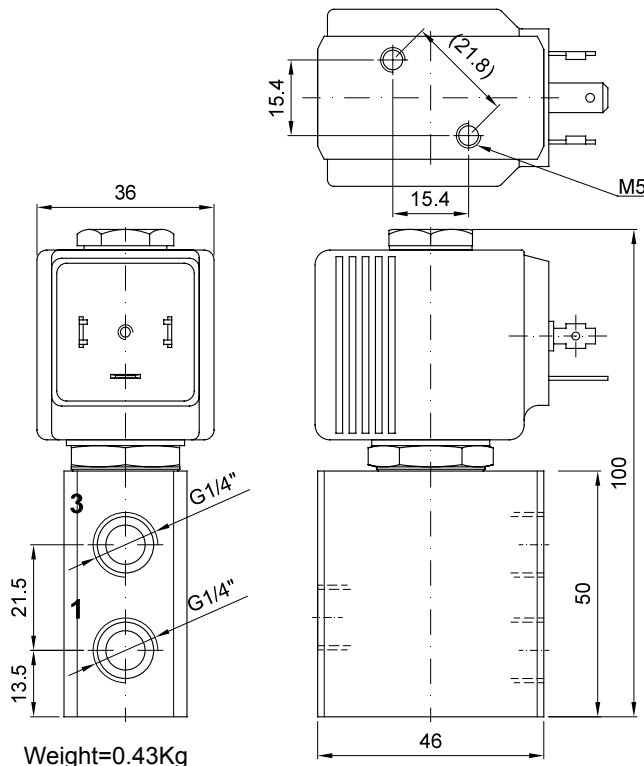
1. Coil fixing nut
2. Coil
3. Armature tube assembly
4. Position sensor



### Version with position detector



### OVERALL DIMENSION



### Version with position detector

