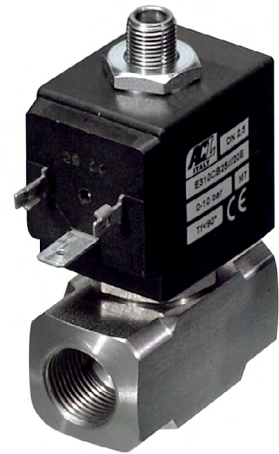


DESCRIPTION

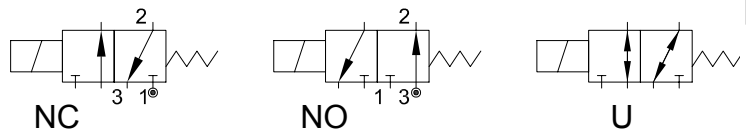
Solenoid valve 3 way in stainless steel AISI 316
direct acting poppet type



CONSTRUCTION

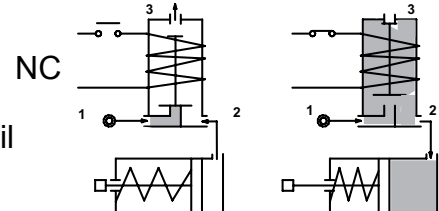
Body	AISI 316
Armature tube	AISI 316
Plunger and core	AISI 430FR
Shading ring	Silver
Spring	AISI 316
Seal material	NBR - FPM - EPDM - FFKM (Kalrez)

3

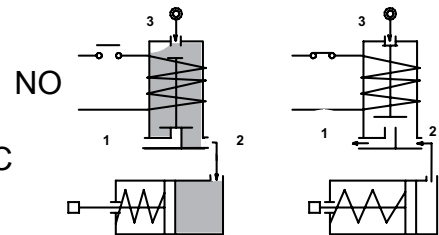


FEATURES

- Maximum allowable pressure PS 80bar^③
- Maximum fluid viscosity 25cSt (mm²/s)
- Ambient temperature: from -10°C to +80°C according to the coil
- Universal mounting position



OPTIONS: Versions for use with oxygen
c US certified coils



ON REQUEST: Versions for use with fluid temperature at -40°C
Versions with 3/8" or 1/2" connections

CODE ① ②	Connection G ISO 228	Orifice mm		Kv m ³ /h	Differential pressure bar			Nominal power			Coil		Seal ①	Temp. range °C
		Inlet	Exh.		Min	Max AC DC		AC Inrush	VA Holding	DC Watt	Series	Width		
NC Normally closed														
E370B...15///...	1/4"	1.5	2.4	0.07	0	16	16	20	15	10	2	30	NBR=B	-10 +90
E370B...20///...		2	2.4	0.11	0	13	13							
E370B...25///...		2.5	2.4	0.16	0	10	10							
NO Normally open														
E370B...24/S/...	1/4"	2.4	2.5	0.16	0	9	9	20	15	10	2	30	FPM=V	-10 +140
U Universal														
E370B...25/G/...	1/4"	2.5	2.4	0.16	0	5	4	20	15	10	2	30	FFKM=K	-10 +180

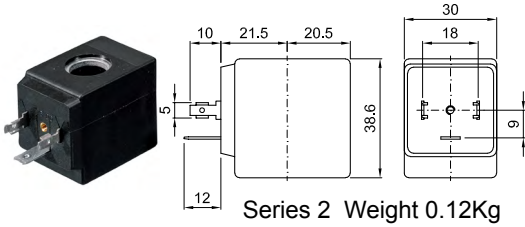
① Seal Example: E370BV15///20B FPM seal Coil 24V 50/60Hz NC
② Coil E370BB24/S/201 NBR seal Coil 24V DC NA

③ The maximum allowable pressure PS for steam 2,5bar (gauge pressure)

COILS ②	Alternating Current 50/60Hz (V)							Direct Current (V)			Electrical connection	Connectors
	12	24	48	110	220 230	240	380	12	24	48		
Series 2 Width 30	20A	20B	20C	20D	20E	20F	20G	200	201	202	DIN 43650A	PG9 CODICE 10349000

DESCRIPTION
 Class F insulation
 Voltage tolerance
 AC +15% -10%
 DC ± 10%
 Protection class
 IP65 with connector fitted
 IP00 without connector
 Continuous service ED100%

OPTIONS
 Class H insulation
 Cable attached
 Special coil voltage
 Special coil powers
 US certified coils

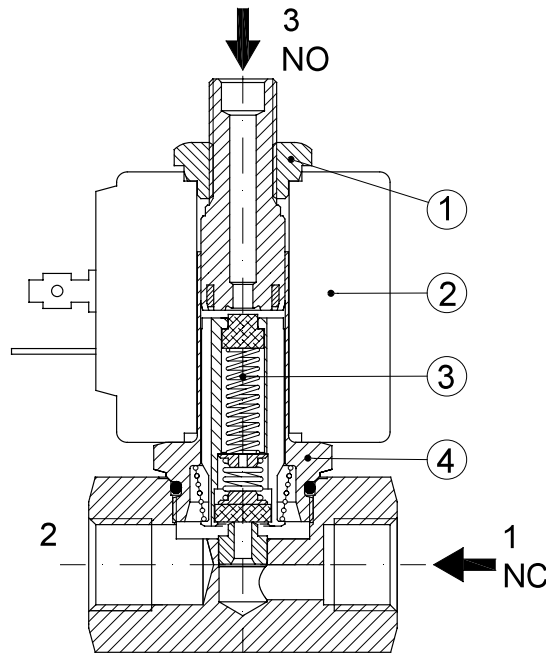


Series 2 Weight 0.12Kg

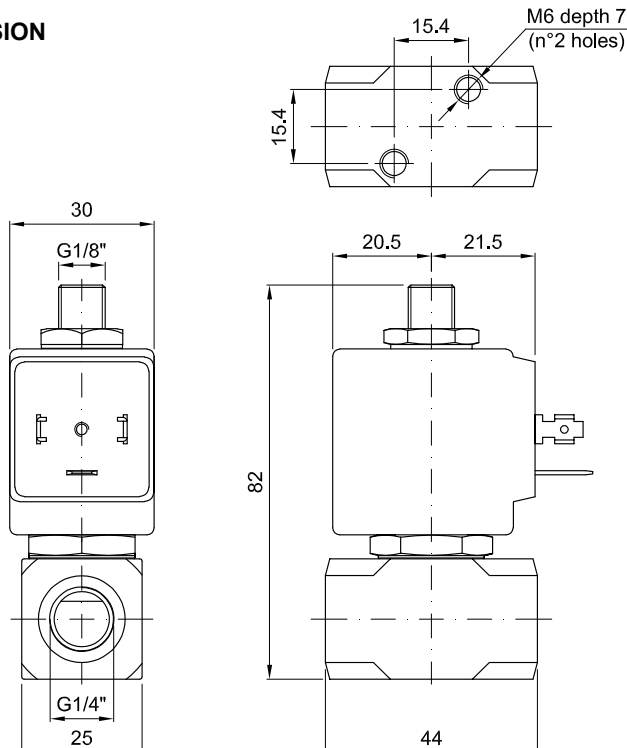
(for coil details see section 8)

SPARE PARTS LIST

1. Coil fixing nut
2. Coil
3. Plunger
4. Armature tube assembly



OVERALL DIMENSION



Weight=0.36Kg