

**DESCRIPTION**

Solenoid valve 3 way normally open direct acting poppet type  
Flange fixing

**CONSTRUCTION**

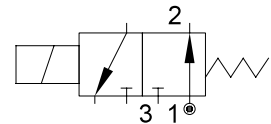
Body	Brass
Armature tube	Brass
Plunger and core	AISI 430FR
Springs	AISI 302
Seal material	NBR - FPM - EPDM



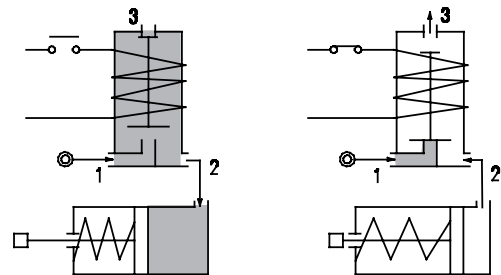
**3**

**FEATURES**

- Maximum allowable pressure PS 50bar<sup>③</sup>
- Maximum fluid viscosity 25cSt (mm<sup>2</sup>/s)
- Ambient temperature: from -10°C to +80°C according to the coil
- Universal mounting position



- OPTIONS:**
- Stainless steel armature tube
  - Electroless nickel plating
  - Series 7 explosion proof coil according to ATEX - EExmII
  - Exhaust port with hosedtail connection
  - UL<sup>®</sup> US certified coils



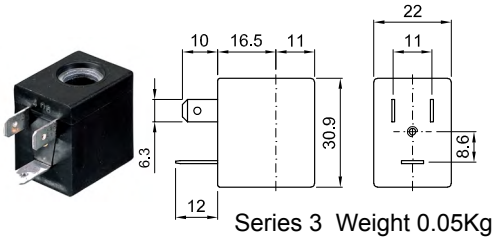
CODE ① ②	Flange	Orifice mm		Kv m <sup>3</sup> /h	Differential pressure bar			Nominal power			Coil		Seal ①	Temp. range °C
		1→2	2→3		Min	Max		AC Inrush	VA Holding	DC Watt	Series	Width		
E313X...12///...	□ 25	1.2	1.2	0.04	0	12	8	12	8	6.5	3	22	NBR=B EPDM=E FPM=V	-10 +90 -10 +140 -10 +140
E313X...15///...		1.5	1.2	0.06	0	9	6							

- ① Seal Example: E313XV15///301 FPM seal
- ② Coil Coil 24V DC
- ③ The maximum allowable pressure PS for steam 2,5bar (gauge pressure)

COILS ②	Alternating Current 50/60Hz (V)							Direct Current (V)			Electrical connection	Connectors
	12	24	48	110	220 230	240	380	12	24	48		
Series 3 Width 22	30A	30B	30C	30D	30E	30F	30G	300	301	302	DIN 46244	PG9 code 10348000

**DESCRIPTION**  
 Class F insulation  
 Voltage tolerance  
 AC +15% -10%  
 DC ± 10%  
 Protection class  
 IP65 with connector fitted  
 IP00 without connector  
 Continuous service ED100%

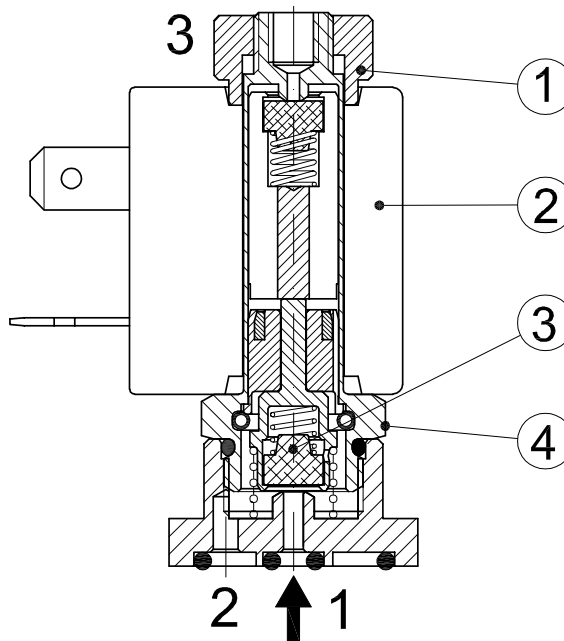
**OPTIONS**  
 Class H insulation  
 Cable attached  
 Special coil voltage  
 Special coil powers  
 CE US certified coils



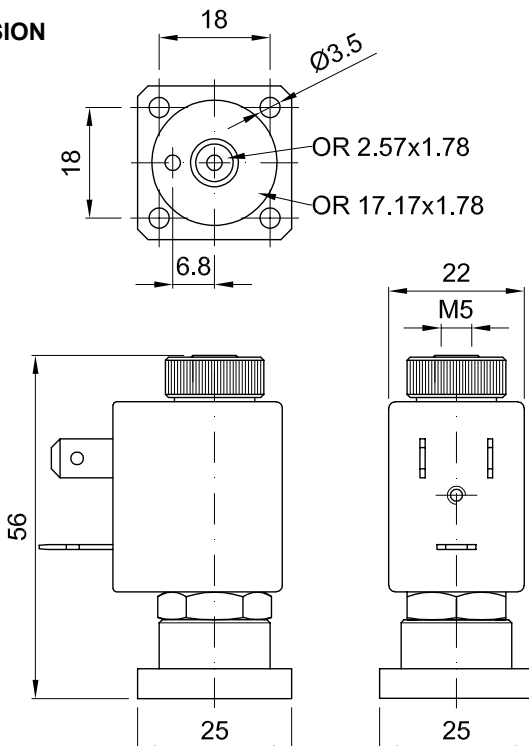
(for coil details see section 8)

### SPARE PARTS LIST

1. Coil fixing nut
2. Coil
3. Seal assembly
4. Armature tube assembly



### OVERALL DIMENSION



Weight=0.12Kg